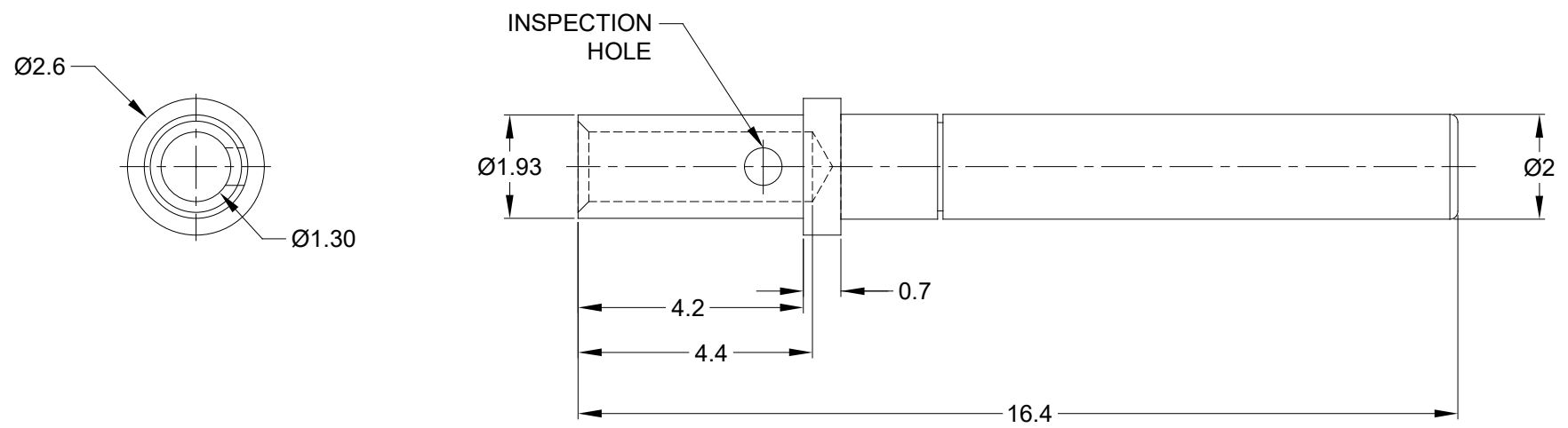


REVISIONS					
REV	ECO	DESCRIPTION	DATE	BY	APPR
A7	-	WIRE RANGE 20AWG WAS 18-20AWG	12FEB19	JAH	DH



NOTES: UNLESS OTHERWISE SPECIFIED

1. MATERIAL: COPPER ALLOY
2. PLATING: SEE PART NUMBER CHART
3. CONTACT SIZE: 20
4. SPECIFICATIONS:
  - 4.1 CURRENT RATING: 7.5 AMPS
  - 4.2 CONTACT MILLIVOLT DROP: 60 MILLIVOLT DROP @ 7.5 AMP TEST CURRENT.
  - 4.3 RoHS COMPLIANT
5. RECOMMENDED WIRE RANGE: 20 AWG
6. AVAILABLE HAND CRIMPER: CA-5D12
7. ALL DIMENSIONS ARE FOR REFERENCE USE ONLY

PART NUMBER CHART	
PLATING	PART NUMBER
GOLD	AT62-201-2031
NICKEL	AT62-201-20141

SEE PART NUMBER CHART	
PART NUMBER	DESCRIPTION
	ITEM

QUANTITY	MATERIALS LIST	
<small>UNLESS OTHERWISE SPECIFIED</small> 1) All dimensions are in metric(mm). 2) Tolerances are as follows: 1 PL DEC ±0.30 2 PL DEC ±0.15 3 PL DEC ±0.08 Fractions ±1/64 Angles ±1° 3) Note reference =	<b>SIGNATURES</b>	<b>DATE</b>
	DRAWN: Brook	03JAN19
	CHECKED: Orion	03JAN19
	ENGINEER:	
MATERIAL SPECIFICATIONS:	APPROVAL: Tommy	03JAN19
	CUSTOMER:	
PROCESS SPECIFICATIONS:	THIS DRAWING IS SUPPLIED FOR INFORMATION ONLY. DESIGN FEATURES, SPECIFICATIONS AND PERFORMANCE DATA SHOWN HEREON ARE THE PROPERTY OF THE AMPHENOL CORPORATION. NO RIGHTS OF REPRODUCTION ARE IMPLIED. ALL DIMENSIONS ARE SUBJECT TO NORMAL MANUFACTURING VARIATIONS.	
NEXT ASSY:		

# Amphenol

Sine Systems - www.amphenol-sine.com  
 44724 Morley Drive  
 Clinton Township, MI 48036

CONTACT, SOCKET, SOLID, SIZE 20,  
 20 AWG, ATM SERIES

SIZE	TYPE	DWG NO:	REVISION
A	C-	AT62-201-20XXX	A7
SCALE: NONE		SHEET 1 OF 1	