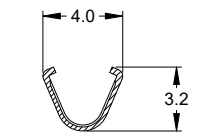
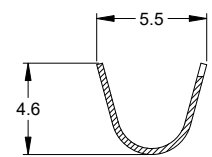
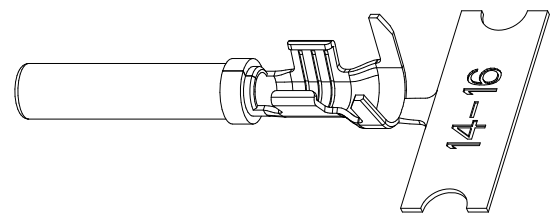
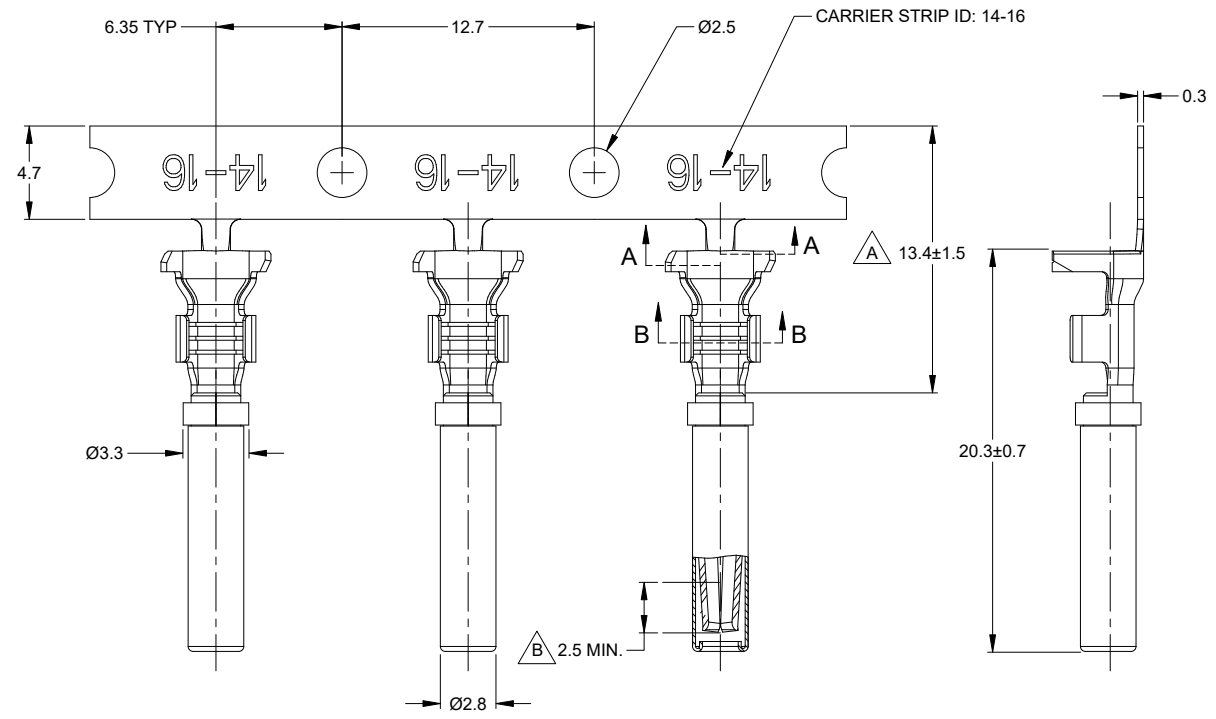
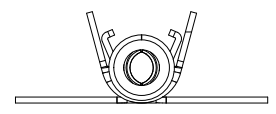


REVISIONS					
REV	ECO	DESCRIPTION	DATE	BY	APPR
A3	-	RELEASE NEW DWG FORMAT	10/21/13	DRP	-
A4	-	REVISED PLATING INFO	16/JUN/16	JAH	-
A5	C1070S	UPDATE DRAWING	28/JUN/19	JOE	TOMMY
B1	C1298S	UPDATE PLATING	14/SEP/20	SULLEN	TOMMY
B2	-	14-18AWG WAS 14-16AWG	21AUG23	JHEAD	DH



SECTION A-A

SECTION B-B



NOTES: UNLESS OTHERWISE SPECIFIED

- MATERIAL: COPPER ALLOY
- PLATING: SEE PART NUMBER CHART
- CONTACT SIZE: 16
- SPECIFICATIONS:
 - CURRENT RATING: 13 AMPS
 - CONTACT MILLIVOLT DROP: 100 MILLIVOLT DROP @ 13 AMP TEST CURRENT.
 - RoHS COMPLIANT
- RECOMMENDED WIRE RANGE: 14 - 18 AWG (2.0 - 0.75mm²)
RECOMMENDED INSUL O.D: 2.40 - 3.81MM (0.094 - 0.15INCH)
- PACKAGE: 4000 PCS/REEL
- AVAILABLE APPLICATORS: MFX-3975-K OR MFX-3975-G
- ALL DIMENSIONS ARE FOR REFERENCE USE ONLY

PART NUMBER CHART		
PLATING	PART NUMBER	PLATING DESCRIPTION
NICKEL	AT62-14-0122	SELECTIVE TIN OVER NICKEL OVERALL IN Δ ZONE
GOLD	AT62-14-0144	SELECTIVE GOLD FLASH OVER NICKEL OVERALL IN ∇ ZONE OR ENTIRE CONTACT
TIN	AT62-14-0177	TIN OVER NICKEL OVERALL

SEE PART NUMBER CHART		REF: 1062-14-0122, 1062-14-0144	
PART NUMBER		DESCRIPTION	
QUANTITY	MATERIALS LIST		
UNLESS OTHERWISE SPECIFIED 1) All dimensions are in metric(mm). 2) Tolerances are as follows: 1 PL DEC ±0.30 Fractions ±1/64 2 PL DEC ±0.15 Angles ±1° 3 PL DEC ±0.08	SIGNATURES	DATE	<p>Sine Systems - www.amphenol-sine.com 44724 Morley Drive Clinton Township, MI 48036</p> <p>CONTACT, SOCKET, STAMPED, SIZE 16, 14-18 AWG, A SERIES</p>
DRAWN: SULLENZHANG	14/SEP/20	CHECKED: ORIONLI	
ENGINEER:		APPROVAL: TOMMY.XIE	
CUSTOMER:		16/SEP/20	
MATERIAL SPECIFICATIONS:	THIS DRAWING IS SUPPLIED FOR INFORMATION ONLY. DESIGN FEATURES, SPECIFICATIONS AND PERFORMANCE DATA SHOWN HEREON ARE THE PROPERTY OF THE AMPHENOL CORPORATION. NO RIGHTS OF REPRODUCTION ARE IMPLIED. ALL DIMENSIONS ARE SUBJECT TO NORMAL MANUFACTURING VARIATIONS.		REVISION
PROCESS SPECIFICATIONS:	SIZE	TYPE	DWG NO.
NEXT ASSY:	B	C-	AT62-14-01XX
	SCALE: NONE		SHEET 1 OF 1

TITLE: SOCKET STAMPED, SIZE 16, 14-18 AWG, A SERIES
DWG NO.: AT62-14-01XX
REV: B2
SH: 1
OF: 1