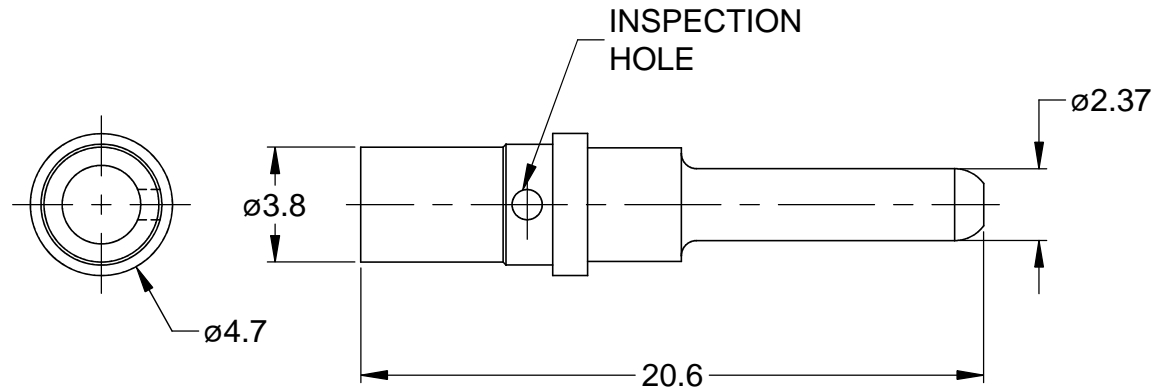
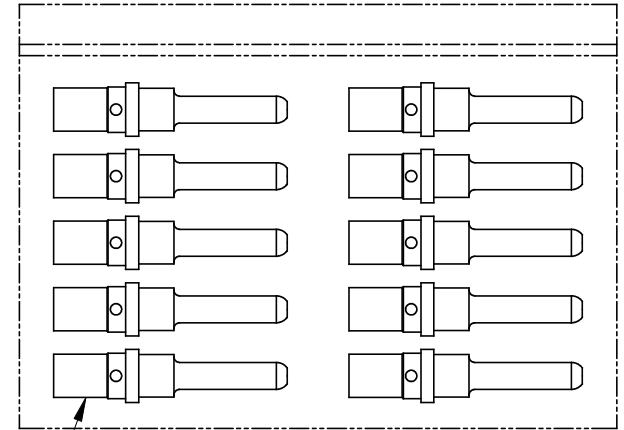


| REVISIONS |     |             |          |     |      |
|-----------|-----|-------------|----------|-----|------|
| REV       | ECO | DESCRIPTION | DATE     | BY  | APPR |
| A         | -   | RELEASE     | 10/07/13 | DRP | -    |



REFERENCE DIMENSIONS



KIT CONTENTS



NOTES: UNLESS OTHERWISE SPECIFIED

- MATERIAL: COPPER ALLOY; NICKEL PLATED
- CONTACT SIZE: 12
- SPECIFICATIONS:
  - CURRENT RATING: 25 AMP
  - CONTACT MILLIVOLT DROP: 60 MILLIVOLT DROP @ 25 AMP TEST CURRENT.
  - RoHS COMPLIANT
- RECOMMENDED WIRE RANGE: 12 - 14 AWG
- AVAILABLE HAND CRIMPER: CA-5D12
- ALL DIMENSIONS ARE FOR REFERENCE USE ONLY

|                                       |  |                              |  |      |      |         |          |   |    |                 |   |
|---------------------------------------|--|------------------------------|--|------|------|---------|----------|---|----|-----------------|---|
| 10                                    | AT60-204-12141   | CONTACT, PIN, SOLID, SIZE 12 | 1  |      |      |         |          |   |    |                 |   |
|                                       | PART NUMBER  | DESCRIPTION                  | ITEM   |      |      |         |          |   |    |                 |   |
| QUANTITY                              | MATERIALS LIST   |                              |  |      |      |         |          |   |    |                 |   |
| UNLESS OTHERWISE SPECIFIED            | SIGNATURES   | DATE                         | <h1 style="text-align: center;">Amphenol</h1> <p style="text-align: center;">Sine Systems - www.amphenol-sine.com<br/>44724 Morley Drive<br/>Clinton Township, MI 48036</p> <p style="text-align: center;">KIT, SIZE 12 SOLID PIN, 12-14 AWG,<br/>ATP &amp; AHD-6 SERIES, 10 PCS</p> |      |      |         |          |   |    |                 |   |
| 1) All dimensions are in metric (mm). | DRAWN: D.PARKS   | 10/07/13                     |  |      |      |         |          |   |    |                 |   |
| 2) Tolerances are as follows:         | CHECKED:   |                              |  |      |      |         |          |   |    |                 |   |
| 1 PL DEC ±0.30                        | ENGINEER:  |                              |  |      |      |         |          |   |    |                 |   |
| 2 PL DEC ±0.15                        | APPROVAL:  |                              |  |      |      |         |          |   |    |                 |   |
| 3 PL DEC ±0.08                        | CUSTOMER:  |                              |  |      |      |         |          |   |    |                 |   |
| 3) Note reference =                   | THIS DRAWING IS SUPPLIED FOR INFORMATION ONLY. DESIGN FEATURES, SPECIFICATIONS AND PERFORMANCE DATA SHOWN HEREON ARE THE PROPERTY OF THE AMPHENOL CORPORATION. NO RIGHTS OF REPRODUCTION ARE IMPLIED. ALL DIMENSIONS ARE SUBJECT TO NORMAL MANUFACTURING VARIATIONS. |                              | <table border="1"> <tr> <td>SIZE</td> <td>TYPE</td> <td>DWG NO:</td> <td>REVISION</td> </tr> <tr> <td>A</td> <td>C-</td> <td>AT60-204-12NKIT</td> <td>A</td> </tr> </table>  | SIZE | TYPE | DWG NO: | REVISION | A | C- | AT60-204-12NKIT | A |
| SIZE                                  | TYPE   | DWG NO:                      | REVISION   |      |      |         |          |   |    |                 |   |
| A                                     | C-   | AT60-204-12NKIT              | A  |      |      |         |          |   |    |                 |   |
| MATERIAL SPECIFICATIONS:              |  |                              | SCALE: NONE  |      |      |         |          |   |    |                 |   |
| PROCESS SPECIFICATIONS:               |  |                              | SHEET 1 OF 1   |      |      |         |          |   |    |                 |   |
| NEXT ASS'Y:                           |  |                              |  |      |      |         |          |   |    |                 |   |