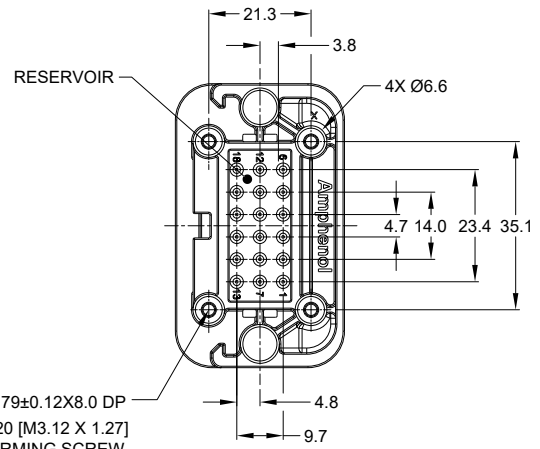
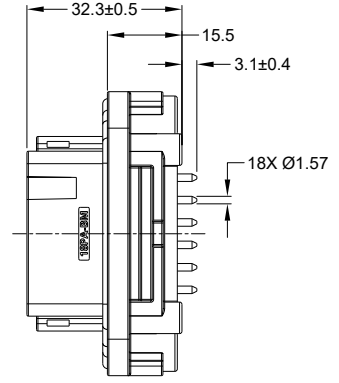
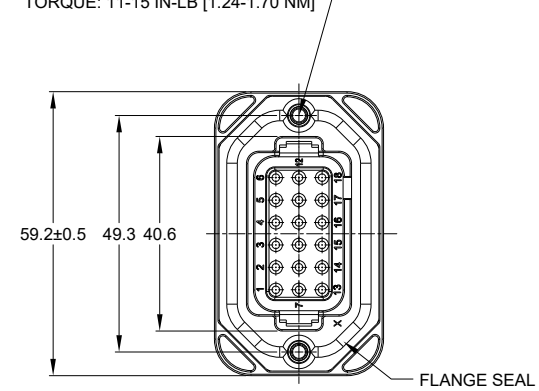
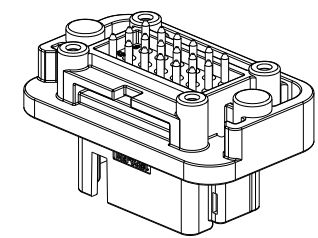


REVISIONS					
REV	ECO	DESCRIPTION	DATE	BY	APPR
A1	--	RELEASE NEW PRODUCT	19AUG20	ZENIN	TOMMY
A2	--	UPDATE THE PART NUMBERS AND IP RATING	08OCT21	ZENIN	TOMMY

2X Ø3.10±0.1 2X11.18 DP
 RECOMMENDED SCREW: 6-19 [M3.63 X 1.34]
 THREAD-FORMING SCREW,
 TORQUE: 11-15 IN-LB [1.24-1.70 NM]

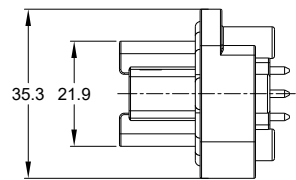


4X Ø2.79±0.12X8.0 DP
 RECOMMENDED SCREW: 4-20 [M3.12 X 1.27]
 THREAD-FORMING SCREW,
 TORQUE:6-10 IN-LB [0.68-1.13 NM]



NOTES: UNLESS OTHERWISE SPECIFIED

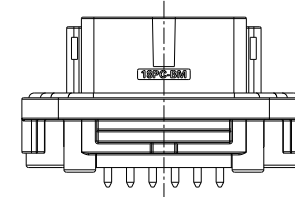
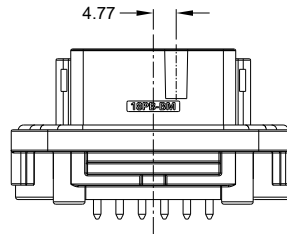
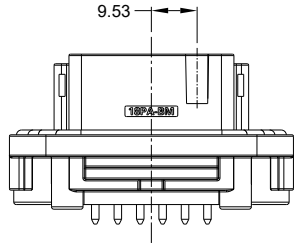
- MATERIAL:
 HOUSING: THERMOPLASTIC; COLOR: SEE P/N CHART
 SEAL: SILICONE RUBBER
 CONTACT: COPPER ALLOY
- MODIFICATIONS: FLANGE, PCB MOUNT, STRAIGHT
- SPECIFICATIONS:
 - CURRENT RATING: 13AMPS
 - OPERATING TEMPERATURE: -55°C TO +125°C
 - DIELECTRIC WITHSTANDING VOLTAGE: LESS THAN 2 MILLIAMPS CURRENT LEAKAGE @ 1500 VOLTS AC.
 - INSULATION RESISTANCE: 1000 MEGOHMS MIN @ 25°C.
 - MOISTURE RESISTANCE:
 IP68(1M OF WATER FOR A PERIOD OF 24 HOURS , MATED CONDITION)
 IP69K(MATED CONDITION)
 - MATING CYCLE DURABILITY: 100 CYCLES
 - RoHS COMPLIANT
- MATING PART: AT16-18S* PLUG
 (* = MODIFICATIONS)
- ALL DIMENSIONS ARE FOR REFERENCE USE ONLY.
- POTTED CONNECTORS SPECIFIED FOR UP TO 5 P.S.I. APPLICATIONS.



TITLE: BOARDLOCK PCB MOUNT RECEPTACLE, 18PIN, STRAIGHT, AT SERIES
 DWG NO: AT15-18PX-BMXXXX
 REV: A2
 SH: 1
 OF: 3

SEE P/N CHART		DESCRIPTION		ITEM
QUANTITY	PART NUMBER	MATERIALS LIST		
UNLESS OTHERWISE SPECIFIED		SIGNATURES	DATE	<p>Amphenol</p> <p>Sine Systems - www.amphenol-sine.com 44724 Morley Drive Clinton Township, MI 48036</p> <p>BOARDLOCK PCB MOUNT RECEPTACLE, 18PIN STRAIGHT, AT SERIES</p>
1) All dimensions are in metric (mm). 2) Tolerances are as follows: 1 PL DEC ±0.30 Fractions ±1/64 2 PL DEC ±0.15 Angles ±1° 3 PL DEC ±0.08		DRAWN: ZENIN, DENG	08OCT21	
3) Note reference =		CHECKED: ORION, LI	08OCT21	
MATERIAL SPECIFICATIONS:		ENGINEER:		
PROCESS SPECIFICATIONS:		APPROVAL: TOMMY, XIE	10OCT21	<p>SIZE: B C-</p> <p>DWG NO: AT15-18PX-BMXXXX</p> <p>REVISION: A2</p>
NEXT ASSY:		CUSTOMER:		
THIS DRAWING IS SUPPLIED FOR INFORMATION ONLY. DESIGN FEATURES, SPECIFICATIONS AND PERFORMANCE DATA SHOWN HEREON ARE THE PROPERTY OF THE AMPHENOL CORPORATION. NO RIGHTS OF REPRODUCTION ARE IMPLIED. ALL DIMENSIONS ARE SUBJECT TO NORMAL MANUFACTURING VARIATIONS.		SCALE: NONE		SHEET 1 OF 3

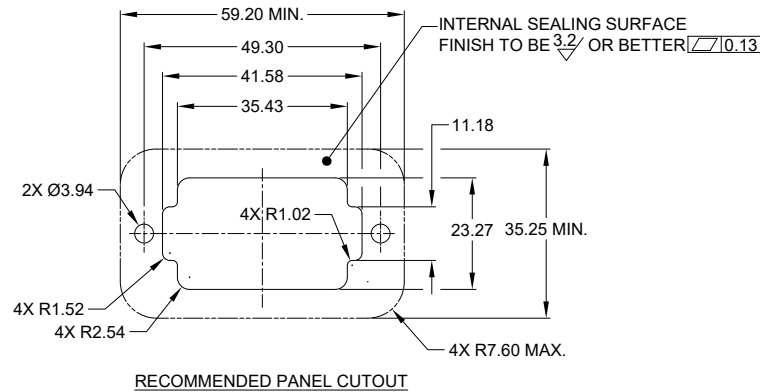
REVISIONS					
REV	ECO	DESCRIPTION	DATE	BY	APPR
A1	--	RELEASE NEW PRODUCT	19AUG20	ZENIN	TOMMY
A2	--	UPDATE THE PART NUMBERS AND IP RATING	08OCT21	ZENIN	TOMMY



A KEY P/N CHART			
CONTACT PLATING	COLOR OF HOUSING	POTTING OR NOT IN RESERVOIR	PART NUMBER
GOLD	GRAY	NO POTTING	AT15-18PA-BM01GY
GOLD	BLACK	NO POTTING	AT15-18PA-BM01BK
GOLD	GRAY	POTTING	AT15-18PA-BM02GY
GOLD	BLACK	POTTING	AT15-18PA-BM02BK
TIN	GRAY	NO POTTING	AT15-18PA-BM03GY
TIN	BLACK	NO POTTING	AT15-18PA-BM03BK
TIN	GRAY	POTTING	AT15-18PA-BM04GY
TIN	BLACK	POTTING	AT15-18PA-BM04BK

B KEY P/N CHART			
CONTACT PLATING	COLOR OF HOUSING	POTTING OR NOT IN RESERVOIR	PART NUMBER
GOLD	BLACK	NO POTTING	AT15-18PB-BM01BK
GOLD	BLACK	POTTING	AT15-18PB-BM02BK
TIN	BLACK	NO POTTING	AT15-18PB-BM03BK
TIN	BLACK	POTTING	AT15-18PB-BM04BK

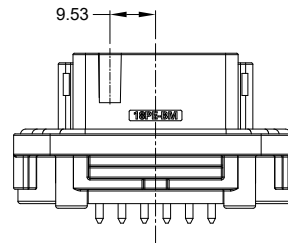
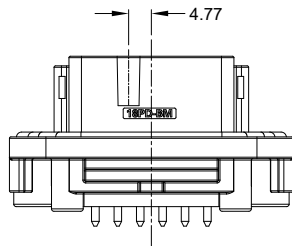
C KEY P/N CHART			
CONTACT PLATING	COLOR OF HOUSING	POTTING OR NOT IN RESERVOIR	PART NUMBER
GOLD	GREEN	NO POTTING	AT15-18PC-BM01GN
GOLD	BLACK	NO POTTING	AT15-18PC-BM01BK
GOLD	GREEN	POTTING	AT15-18PC-BM02GN
GOLD	BLACK	POTTING	AT15-18PC-BM02BK
TIN	GREEN	NO POTTING	AT15-18PC-BM03GN
TIN	BLACK	NO POTTING	AT15-18PC-BM03BK
TIN	GREEN	POTTING	AT15-18PC-BM04GN
TIN	BLACK	POTTING	AT15-18PC-BM04BK



SEE P/N CHART		DESCRIPTION		ITEM
QUANTITY	PART NUMBER	MATERIALS LIST		
UNLESS OTHERWISE SPECIFIED		SIGNATURES		DATE
1) All dimensions are in metric (mm).		DRAWN: ZENIN,DENG		08OCT21
2) Tolerances are as follows:		CHECKED: ORION,LI		09OCT21
1 PL DEC ±0.30		ENGINEER:		
2 PL DEC ±0.15		APPROVAL: TOMMY,XIE		10OCT21
3 PL DEC ±0.08		CUSTOMER:		
3) Note reference = Δ		THIS DRAWING IS SUPPLIED FOR INFORMATION ONLY. DESIGN FEATURES, SPECIFICATIONS AND PERFORMANCE DATA SHOWN HEREON ARE THE PROPERTY OF THE AMPHENOL CORPORATION. NO RIGHTS OF REPRODUCTION ARE IMPLIED. ALL DIMENSIONS ARE SUBJECT TO NORMAL MANUFACTURING VARIATIONS.		
MATERIAL SPECIFICATIONS:		SIZE		TYPE
PROCESS SPECIFICATIONS:		B C-		DWG NO.
NEXT ASSY:		AT15-18PX-BMXXXX		REVISION
		SCALE: NONE		A2
		SHEET 2 OF 3		

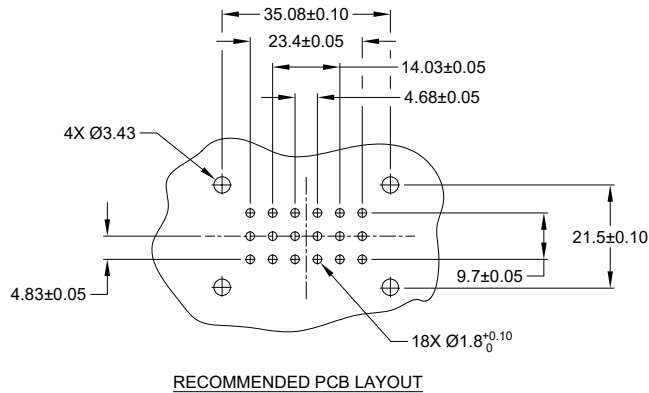
TITLE: BOARDLOCK PCB MOUNT RECEPTACLE (18PIN STRAIGHT) AT SERIES
DWG NO.: AT15-18PX-BMXXXX
REV: A2
SH: 2
OF: 3

REVISIONS					
REV	ECO	DESCRIPTION	DATE	BY	APPR
A1	--	RELEASE NEW PRODUCT	19AUG20	ZENIN	TOMMY
A2	--	UPDATE THE PART NUMBERS AND IP RATING	08OCT21	ZENIN	TOMMY



D KEY P/N CHART			
CONTACT PLATING	COLOR OF HOUSING	POTTING OR NOT IN RESERVOIR	PART NUMBER
GOLD	BROWN	NO POTTING	AT15-18PD-BM01BN
GOLD	BLACK	NO POTTING	AT15-18PD-BM01BK
GOLD	BROWN	POTTING	AT15-18PC-BM02BN
GOLD	BLACK	POTTING	AT15-18PD-BM02BK
TIN	BROWN	NO POTTING	AT15-18PD-BM03BN
TIN	BLACK	NO POTTING	AT15-18PD-BM03BK
TIN	BROWN	POTTING	AT15-18PD-BM04BN
TIN	BLACK	POTTING	AT15-18PD-BM04BK

E KEY P/N CHART			
CONTACT PLATING	COLOR OF HOUSING	POTTING OR NOT IN RESERVOIR	PART NUMBER
GOLD	GRAY	NO POTTING	AT15-18PE-BM01GY
GOLD	BLACK	NO POTTING	AT15-18PE-BM01BK
GOLD	GRAY	POTTING	AT15-18PE-BM02GY
GOLD	BLACK	POTTING	AT15-18PE-BM02BK
TIN	GRAY	NO POTTING	AT15-18PE-BM03GY
TIN	BLACK	NO POTTING	AT15-18PE-BM03BK
TIN	GRAY	POTTING	AT15-18PE-BM04GY
TIN	BLACK	POTTING	AT15-18PE-BM04BK



SEE P/N CHART		DESCRIPTION		ITEM
QUANTITY	PART NUMBER	MATERIALS LIST		
<small>UNLESS OTHERWISE SPECIFIED</small> 1) All dimensions are in metric(mm). 2) Tolerances are as follows: 1 PL DEC ±0.30 2 PL DEC ±0.15 3 PL DEC ±0.08 Fractions ±1/64 Angles ±1° 3) Note reference =				
SIGNATURES		DATE		
DRAWN: ZENIN,DENG		08OCT21		
CHECKED: ORIONLI		09OCT21		
ENGINEER:				
APPROVAL: TOMMY,XIE		10OCT21		
MATERIAL SPECIFICATIONS:		CUSTOMER:		
PROCESS SPECIFICATIONS:		THIS DRAWING IS SUPPLIED FOR INFORMATION ONLY. DESIGN FEATURES, SPECIFICATIONS AND PERFORMANCE DATA SHOWN HEREON ARE THE PROPERTY OF THE AMPHENOL CORPORATION. NO RIGHTS OF REPRODUCTION ARE IMPLIED. ALL DIMENSIONS ARE SUBJECT TO NORMAL MANUFACTURING VARIATIONS.		
NEXT ASSY:		SIZE: B	TYPE: C-	REVISION: A2
		DWG NO: AT15-18PX-BMXXXX		
		SCALE: NONE		SHEET 3 OF 3

TITLE: BOARDLOCK PCB MOUNT RECEPTACLE, 18PIN, STRAIGHT, AT SERIES
 DWG NO: AT15-18PX-BMXXXX
 REV: A2
 SH: 3
 OF: 3