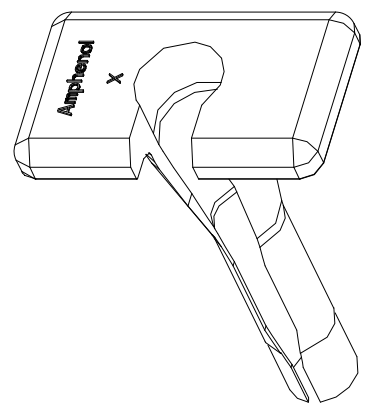
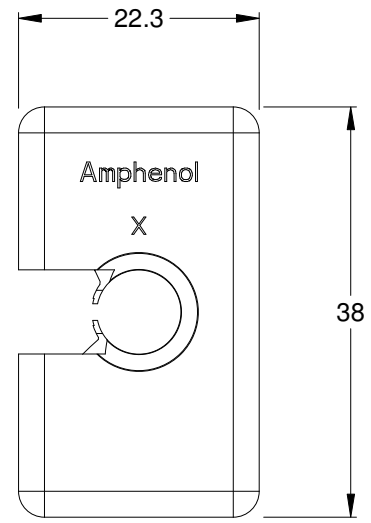
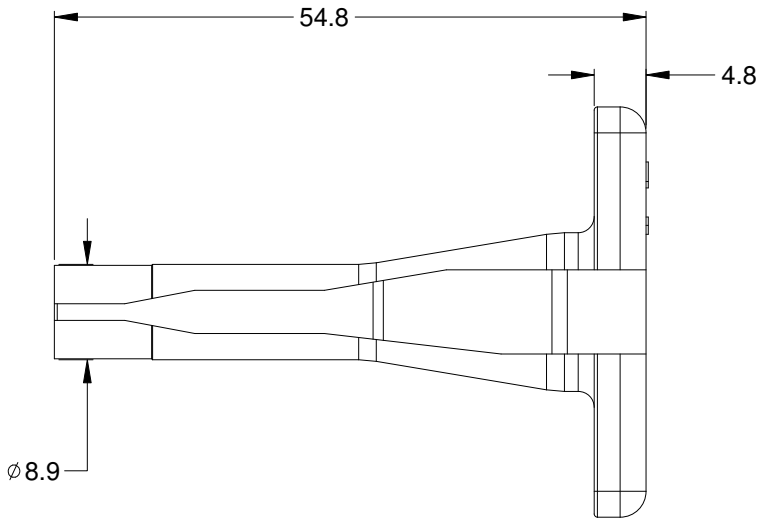


REVISIONS				
REV	ECO	DESCRIPTION	DATE	BY APPR
A1		RELEASE NEW PRODUCT	16/JUN/15	ORION TOMMY



NOTES: UNLESS OTHERWISE SPECIFIED

- 1. MATERIAL: THERMOPLASTIC; COLOR: BLACK
- 2. RoHS COMPLIANT
- 3. USE WITH AHDP,AHD SERIES
- 4. ALL DIMENSIONS ARE FOR REFERENCE USE ONLY.

AT11-001-3.6M			
PART NUMBER		DESCRIPTION	
QUANTITY	MATERIALS LIST		
UNLESS OTHERWISE SPECIFIED: 1) All dimensions are in metric(mm). 2) Tolerances are as follows: 1 PL DEC ±0.30 Fractions ±1/64 2 PL DEC ±0.15 Angles ±1° 3 PL DEC ±0.08		SIGNATURES DATE	
3) Note reference =		DRAWN: ORION.LI 16JUN15	
MATERIAL SPECIFICATIONS:		CHECKED:	
PROCESS SPECIFICATIONS:		ENGINEER:	
NEXT ASS'Y:		APPROVAL: TOMMY.XIE 16JUN15	
		CUSTOMER:	
		THIS DRAWING IS SUPPLIED FOR INFORMATION ONLY. DESIGN FEATURES, SPECIFICATIONS AND PERFORMANCE DATA SHOWN HEREON ARE THE PROPERTY OF THE AMPHENOL CORPORATION. NO RIGHTS OF REPRODUCTION ARE IMPLIED. ALL DIMENSIONS ARE SUBJECT TO NORMAL MANUFACTURING VARIATIONS.	
		<h1 style="text-align: center;">Amphenol</h1> <p style="text-align: center;">Sine Systems - www.amphenol-sine.com 44724 Morley Drive Clinton Township, MI 48036</p>	
		CONTACT REMOVAL TOOL, SIZE 8, BLACK, 7-10AWG	
SIZE	TYPE	DWG NO:	REVISION
A	C-	AT11-001-3.6M	A1
SCALE: NONE		SHEET 1	OF 1