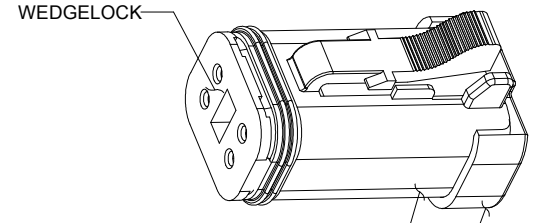
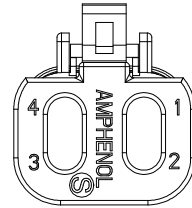
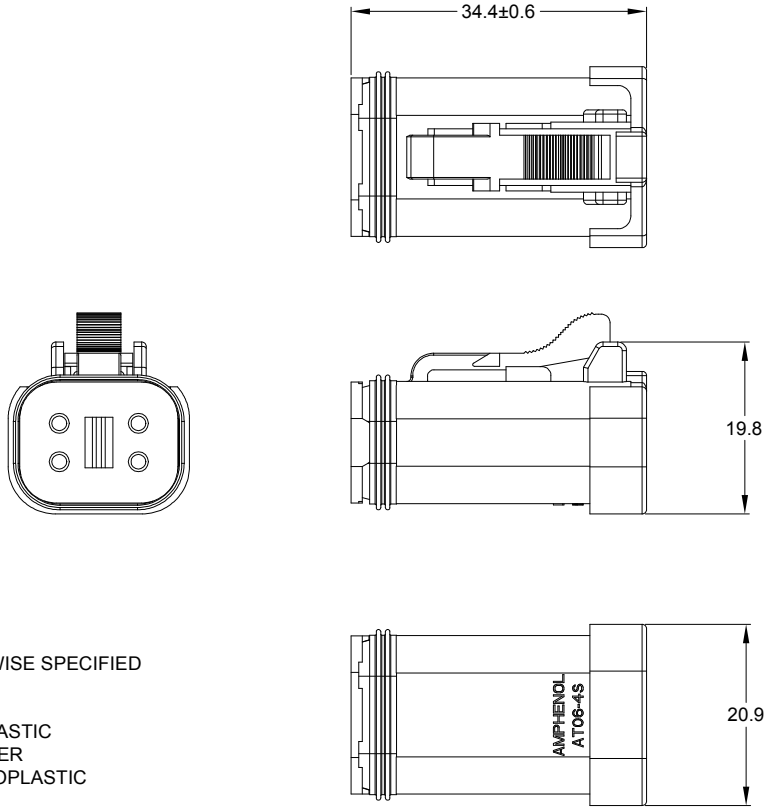


REVISIONS					
REV	ECO	DESCRIPTION	DATE	BY	APPR
A3	-	RELEASE NEW DWG FORMAT	03/JAN/14	ORION	
A4	C0548S	ADD WEDGELOCK AND UPDATE DIMENSIONS	26JUN16	JONY	
A5	C0540S	UPDATE DIMENSIONS	10OCT16	JONY	TOMMY
A6	-	ADD COLOR OPTION	28NOV20	LOUIE	TOMMY



NOTES: UNLESS OTHERWISE SPECIFIED

- MATERIAL:
HOUSING: THERMOPLASTIC
SEAL: SILICONE RUBBER
WEDGELOCK: THERMOPLASTIC
- MODIFICATIONS: BLOCKED GROMMET
- SPECIFICATIONS:
3.1 CURRENT RATING: 13 AMPS
3.2 OPERATING TEMPERATURE: -55°C TO +125°C
3.3 DIELECTRIC WITHSTANDING VOLTAGE: LESS THAN 2 MILLIAMPS CURRENT LEAKAGE @ 1500 VOLTS AC.
3.4 INSULATION RESISTANCE: 1000 MEGOHMS MIN @ 25°C.
3.5 MOISTURE RESISTANCE:
IP68(1M OF WATER FOR A PERIOD OF 24 HOURS, MATED CONDITION)
IP69K(MATED CONDITION)
3.6 MATING CYCLE DURABILITY: 100 CYCLES
3.7 RoHS COMPLIANT
- MATING PART: AT04-4P* RECEPTACLE
(* = MODIFICATIONS AND COLORS)
- ALL DIMENSIONS ARE FOR REFERENCE USE ONLY.

PART NUMBER CHART	
COLOR	PART NUMBER
GREY	AT06-4S-SS01
BLACK	AT06-4S-SS01BLK
BLUE	AT06-4S-SS01BLU
BROWN	AT06-4S-SS01BRN
GREEN	AT06-4S-SS01GRN
RED	AT06-4S-SS01RED
WHITE	AT06-4S-SS01WHT
YELLOW	AT06-4S-SS01YEL
ORANGE	AT06-4S-SS01ORG

REFER TO PART NUMBER CHART FOR AVAILABLE CONNECTOR COLORS

STANDARD COLOR IS GREY, ADDITION COLOR SHOWN IN PART NUMBER CHART

SEE PART NUMBER CHART		REF: DT06-4S-CP01, DT06-4S-C017	
PART NUMBER		DESCRIPTION	
QUANTITY	MATERIALS LIST		
UNLESS OTHERWISE SPECIFIED		SIGNATURES	DATE
1) All dimensions are in metric(mm).		DRAWN: LOUIE	23NOV20
2) Tolerances are as follows:		CHECKED: ORION	25NOV20
1 PL DEC ±0.30		ENGINEER:	
2 PL DEC ±0.15		APPROVAL: TOMMY	27NOV20
3 PL DEC ±0.08		CUSTOMER:	
3) Note reference =		THIS DRAWING IS SUPPLIED FOR INFORMATION ONLY. DESIGN FEATURES, SPECIFICATIONS AND PERFORMANCE DATA SHOWN HEREON ARE THE PROPERTY OF THE AMPHENOL CORPORATION. NO RIGHTS OF REPRODUCTION ARE IMPLIED. ALL DIMENSIONS ARE SUBJECT TO NORMAL MANUFACTURING VARIATIONS.	
MATERIAL SPECIFICATIONS:		Sine Systems - www.amphenol-sine.com 44724 Morley Drive Clinton Township, MI 48036	
PROCESS SPECIFICATIONS:		PLUG, 4 SOCKET, AT SERIES, BLOCKED GROMMET	
NEXT ASSY:		SIZE: B	TYPE: C-
		DWG NO: AT06-4S-SS01XXX	REVISION: A6
		SCALE: NONE	SHEET 1 OF 1

TITLE: PLUG, 4 SOCKET, AT SERIES, BLOCKED GROMMET
DWG NO: AT06-4S-SS01XXX
REV: A6
SH: 1
OF: 1