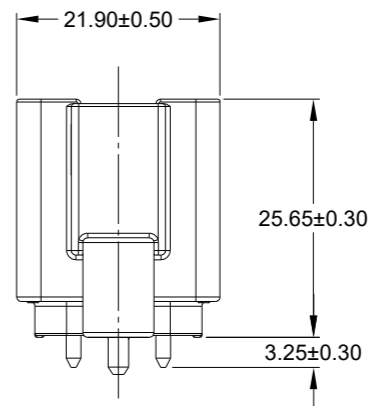
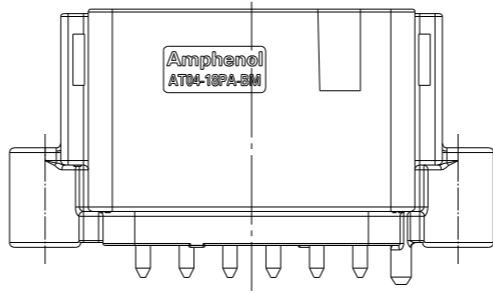
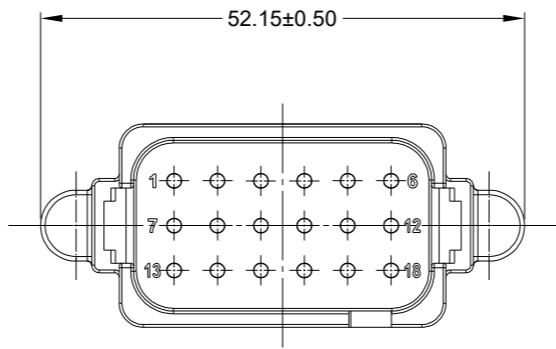
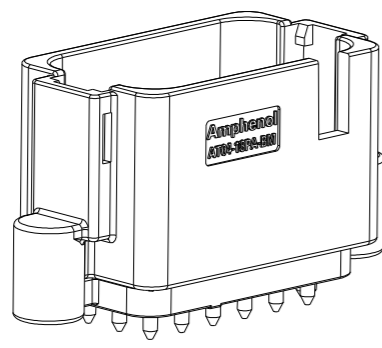


REVISIONS					
REV	ECO	DESCRIPTION	DATE	BY	APPR
A1	-	RELEASE DRAWING	13JUN22	IAN	TOMMY
A2	-	MODIFY PCB LAYOUT SCREW HOLES DIMENSION	15AUG22	IAN	TOMMY



NOTES: UNLESS OTHERWISE SPECIFIED

SEE SHEET 2 FOR KEY ARRANGEMENTS AND COLORS.

2. MATERIAL:
 HOUSING: THERMOPLASTIC; COLOR: SEE SHEET 2
 CONTACT: COPPER ALLOY
 PLATING: NICKEL UNDERPLATE
 SEE CHART FOR OVERALL FINISH

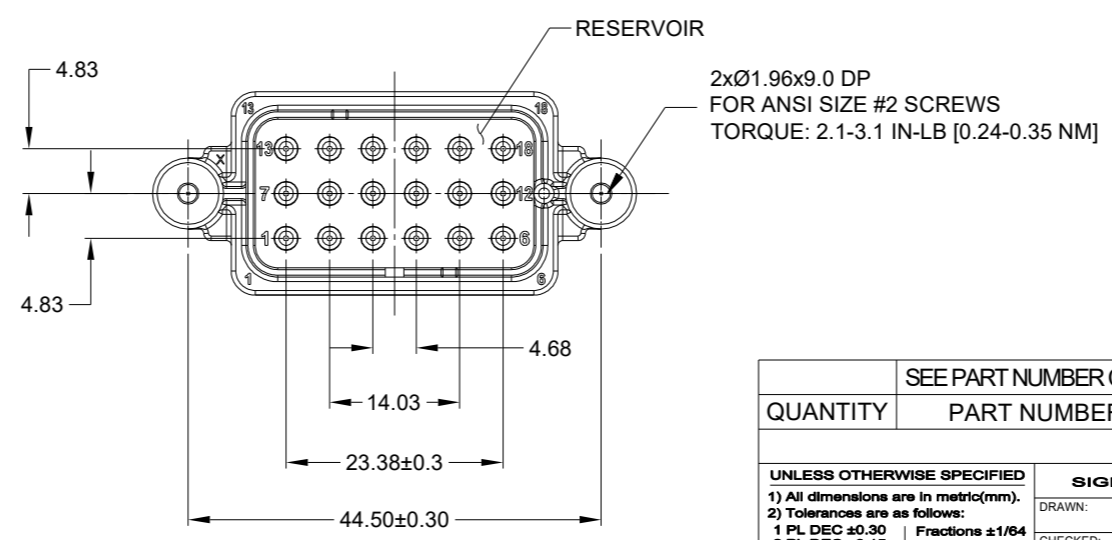
3. MODIFICATIONS: PCB MOUNT, SELF-THREADING

4. SPECIFICATIONS:
 4.1 CURRENT RATING: 13 AMPS
 4.2 OPERATING TEMPERATURE: -55°C TO +125°C
 4.3 DIELECTRIC WITHSTANDING VOLTAGE: LESS THAN 2 MILLIAMPS CURRENT LEAKAGE @ 1500 VOLTS AC.
 4.4 INSULATION RESISTANCE: 1000 MEGOHMS MIN @ 25°C.
 4.5 MOISTURE RESISTANCE: IP67 (MATED CONDITION)
 4.6 MATING CYCLE DURABILITY: 100 CYCLES
 4.7 RoHS COMPLIANT

5. MATING PART: AT16-18SX* PLUG
 (X = A,B,C,D,E KEYS; * = MODIFICATIONS AND COLORS)

6. ALL DIMENSIONS ARE FOR REFERENCE USE ONLY.

7. POTTED CONNECTORS SPECIFIED FOR UP TO 5 P.S.I. APPLICATIONS.



QUANTITY	SEE PART NUMBER CHART	PART NUMBER	DESCRIPTION	ITEM
----------	-----------------------	-------------	-------------	------

MATERIALS LIST				
UNLESS OTHERWISE SPECIFIED		SIGNATURES		DATE
1) All dimensions are in metric(mm).		DRAWN:	IAN	15AUG22
2) Tolerances are as follows:		CHECKED:	SULLEN	15AUG22
1 PL DEC ±0.30		ENGINEER:		
2 PL DEC ±0.15		APPROVAL:	TOMMY	18AUG22
3 PL DEC ±0.08		CUSTOMER:		
3) Note reference = Δ		THIS DRAWING IS SUPPLIED FOR INFORMATION ONLY. DESIGN FEATURES, SPECIFICATIONS AND PERFORMANCE DATA SHOWN HEREON ARE THE PROPERTY OF THE AMPHENOL CORPORATION. NO RIGHTS OF REPRODUCTION ARE IMPLIED. ALL DIMENSIONS ARE SUBJECT TO NORMAL MANUFACTURING VARIATIONS.		
MATERIAL SPECIFICATIONS:		WEIGHT: 15.8g		
PROCESS SPECIFICATIONS:		NEXT ASSY:		
SIZE		TYPE		DWG NO:
B C-		AT04-18Px-BM1Xxx		REVISION
SCALE: NONE		SHEET 1 OF 1		A2

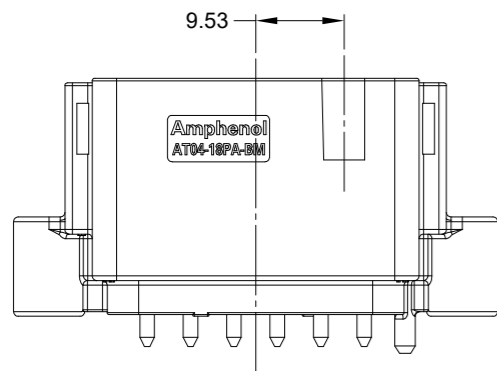


RECEPTACLE, 18 POSITION BOARDLOCK AT, SELF-THREADING

TITLE: RECEPTACLE, 18 POSITION BOARDLOCK AT, SELF-THREADING
 DWG NO: AT04-18Px-BM1Xxx
 REV: A2
 SH: 1
 OF: 2

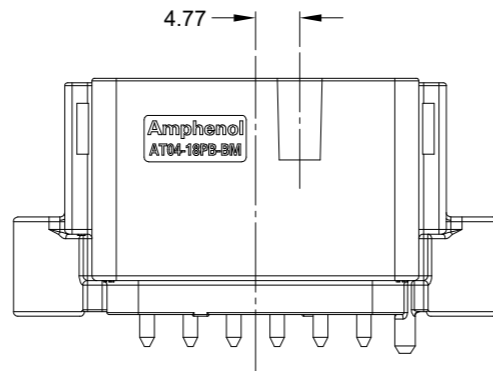
REVISIONS					
REV	ECO	DESCRIPTION	DATE	BY	APPR
A1	-	RELEASE DRAWING	13JUN22	IAN	TOMMY
A2	-	MODIFY PCB LAYOUT SCREW HOLES DIMENSION	15AUG22	IAN	TOMMY

P/N AT04-18PA-BM1X
KEY-A CONFIGURATION
STANDARD COLOR: GREY



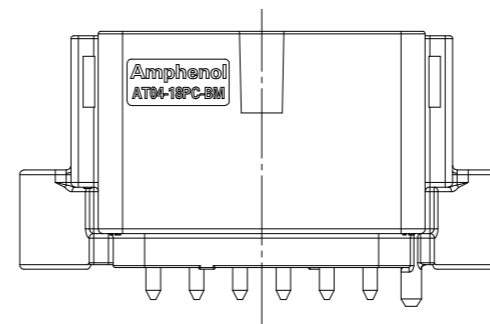
AT04-18PA-BM1X VARIANTS		
CONTACT PLATING	POTTING OR NOT IN RESERVOIR	PART NUMBER
GOLD	NO POTTING	AT04-18PA-BM11xx
GOLD	POTTING	AT04-18PA-BM12xx
NICKEL	NO POTTING	AT04-18PA-BM13xx
NICKEL	POTTING	AT04-18PA-BM14xx

P/N AT04-18PB-BM1X
KEY-B CONFIGURATION
STANDARD COLOR: BLACK



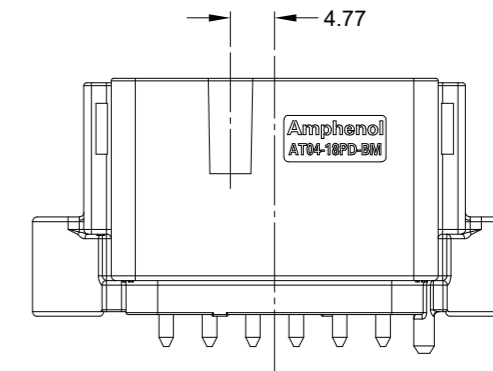
AT04-18PB-BM1X VARIANTS		
CONTACT PLATING	POTTING OR NOT IN RESERVOIR	PART NUMBER
GOLD	NO POTTING	AT04-18PB-BM11
GOLD	POTTING	AT04-18PB-BM12
NICKEL	NO POTTING	AT04-18PB-BM13
NICKEL	POTTING	AT04-18PB-BM14

P/N AT04-18PC-BM1X
KEY-C CONFIGURATION
STANDARD COLOR: GREEN



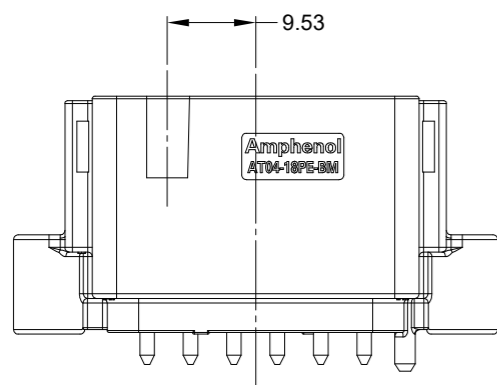
AT04-18PC-BM1X VARIANTS		
CONTACT PLATING	POTTING OR NOT IN RESERVOIR	PART NUMBER
GOLD	NO POTTING	AT04-18PC-BM11xx
GOLD	POTTING	AT04-18PC-BM12xx
NICKEL	NO POTTING	AT04-18PC-BM13xx
NICKEL	POTTING	AT04-18PC-BM14xx

P/N AT04-18PD-BM1X
KEY-D CONFIGURATION
STANDARD COLOR: BROWN



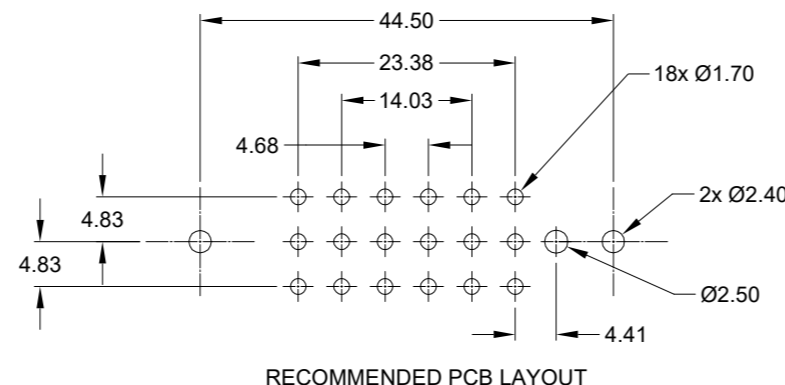
AT04-18PD-BM1X VARIANTS		
CONTACT PLATING	POTTING OR NOT IN RESERVOIR	PART NUMBER
GOLD	NO POTTING	AT04-18PD-BM11xx
GOLD	POTTING	AT04-18PD-BM12xx
NICKEL	NO POTTING	AT04-18PD-BM13xx
NICKEL	POTTING	AT04-18PD-BM14xx

P/N AT04-18PE-BM1X
KEY-E CONFIGURATION
STANDARD COLOR: GREY



AT04-18PE-BM1X VARIANTS		
CONTACT PLATING	POTTING OR NOT IN RESERVOIR	PART NUMBER
GOLD	NO POTTING	AT04-18PE-BM11xx
GOLD	POTTING	AT04-18PE-BM12xx
NICKEL	NO POTTING	AT04-18PE-BM13xx
NICKEL	POTTING	AT04-18PE-BM14xx

COLOR CONFIGURATION	
"xx"	COLOR
BK	BLACK
BLANK	STANDARD COLOR



QUANTITY	SEE PART NUMBER CHART	PART NUMBER	DESCRIPTION	ITEM
MATERIALS LIST				
UNLESS OTHERWISE SPECIFIED		SIGNATURES		
1) All dimensions are in metric(mm).		DATE		
2) Tolerances are as follows:		DRAWN: IAN 15AUG22		
1 PL DEC ±0.30		CHECKED: SULLEN 15AUG22		
2 PL DEC ±0.15		ENGINEER:		
3 PL DEC ±0.08		APPROVAL: TOMMY 18AUG22		
3) Note reference =		CUSTOMER:		
MATERIAL SPECIFICATIONS:		THIS DRAWING IS SUPPLIED FOR INFORMATION ONLY. DESIGN FEATURES, SPECIFICATIONS AND PERFORMANCE DATA SHOWN HEREON ARE THE PROPERTY OF THE AMPHENOL CORPORATION. NO RIGHTS OF REPRODUCTION ARE IMPLIED. ALL DIMENSIONS ARE SUBJECT TO NORMAL MANUFACTURING VARIATIONS.		
WEIGHT: 15.8g		SIZE TYPE DWG NO. REVISION		
PROCESS SPECIFICATIONS:		B C- AT04-18Px-BM1Xxx A2		
NEXT ASSY:		SCALE: NONE SHEET 2 OF 2		

TITLE: RECEPTACLE, 18 POSITION BOARDLOCK AT, SELF-THREADING

DWG NO:

AT04-18Px-BM1Xxx

REV: A2

SH: 2

OF: 2