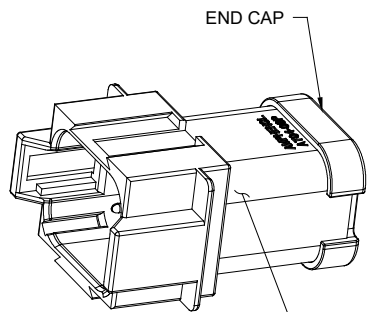
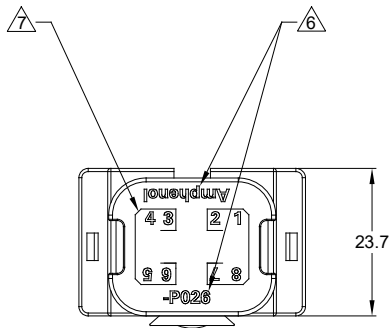
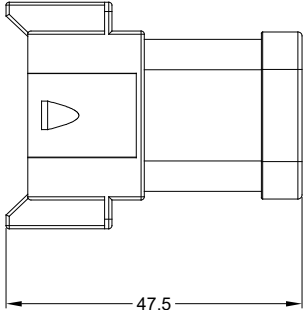
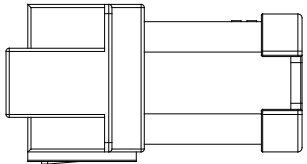
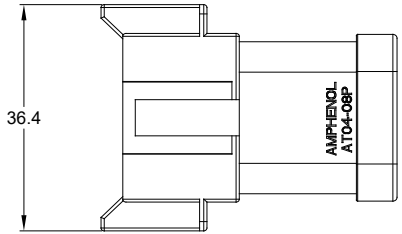
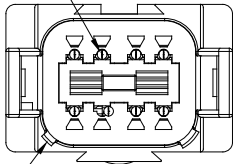


REVISIONS					
REV	ECO	DESCRIPTION	DATE	BY	APPR
A1	-	RELEASE NEW DRAWING	10APR18	ROOKIE	TOMMY
A2	-	REVISED DESCRIPTION	12JUN19	JAH	DH



1 REFER TO SHEET 2 FOR AVAILABLE CONNECTOR COLORS

REQUIRES CONTACT RETENTION WEDGE AW8P



1 KEYWAY (2) PLACES

NOTES: UNLESS OTHERWISE SPECIFIED

1 SEE SHEET 2 FOR KEY ARRANGEMENTS AND COLORS.

2. MATERIAL:  
HOUSING: THERMOPLASTIC  
SEAL: SILICONE RUBBER  
CONTACT: COPPER ALLOY

3. MODIFICATIONS: 2 PIECES OF 4 PIN BUSBAR WITH NICKEL PLATED

4. SPECIFICATIONS:  
3.1 CURRENT RATING: 26 AMPS MAXIMUM FOR THE 4 PIN BUSBAR  
3.2 OPERATING TEMPERATURE: -55°C TO +125°C.  
3.3 DIELECTRIC WITHSTANDING VOLTAGE: LESS THAN 2 MILLIAMPS CURRENT LEAKAGE @ 1500 VOLTS AC.  
3.4 INSULATION RESISTANCE: 1000 MEGOHM MIN @ 25°C.  
3.5 MOISTURE RESISTANCE: IP67 ( MATED CONDITION ).  
3.6 MATING CYCLE DURABILITY: 100 CYCLES  
3.7 RoHS COMPLIANT

5. MATING PART: AT06-08SX\*  
(X=A,B,C,D KEYS \* = AVAILABLE MODIFICATIONS )

6 ORIENTATION OF "Amphenol" AND "-P026" TO BE OPTIONAL

7 BORDERS SIGNIFY THAT EACH GROUP OF PINS 1,2,7,8 AND PINS 3,4,5,6 ARE BUSSED TOGETHER WITH A 4 PIN BUSBAR

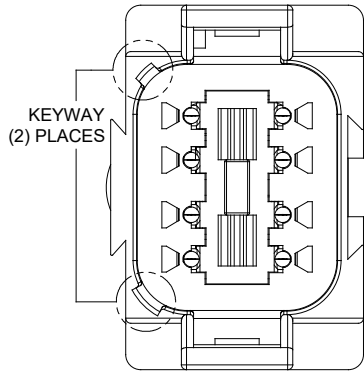
8. ALL DIMENSIONS ARE FOR REFERENCE USE ONLY.

SEE SHEET 2		REF: DT04-08PA-P026 & DT04-08PB-P026	
QUANTITY	PART NUMBER	DESCRIPTION	ITEM
<b>MATERIALS LIST</b>			
UNLESS OTHERWISE SPECIFIED		SIGNATURES      DATE	
1) All dimensions are in metric (mm).		DRAWN:      ROOKIE      10APR18	
2) Tolerances are as follows:		CHECKED:      ORION      10APR18	
1 PL DEC ±0.30		ENGINEER:	
2 PL DEC ±0.15		APPROVAL:      TOMMY      10APR18	
3 PL DEC ±0.08		CUSTOMER:	
3) Note reference = 2		THIS DRAWING IS SUPPLIED FOR INFORMATION ONLY. DESIGN FEATURES, SPECIFICATIONS AND PERFORMANCE DATA SHOWN HEREON ARE THE PROPERTY OF THE AMPHENOL CORPORATION. NO RIGHTS OF REPRODUCTION ARE IMPLIED. ALL DIMENSIONS ARE SUBJECT TO NORMAL MANUFACTURING VARIATIONS.	
MATERIAL SPECIFICATIONS:		SIZE	TYPE
PROCESS SPECIFICATIONS:		DWG NO.      AT04-08PX-P026      REVISION      A2	
NEXT ASSY:		SCALE:      NONE	SHEET      1      OF      2

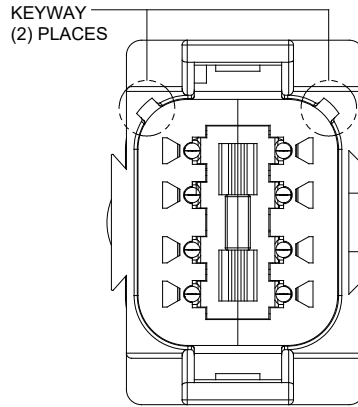
TITLE: HYPERBUSS AT 8WAY RECP (2)4 PIN BUSBAR NICKEL-PLATED  
DWG NO.: AT04-08PX-P026  
REV: A2  
SH: 1  
OF: 2

REVISIONS					
REV	ECO	DESCRIPTION	DATE	BY	APPR
A1	-	RELEASE NEW DRAWING	10APR18	ROOKIE	TOMMY
A2	-	REVISED DESCRIPTION	12JUN19	JAH	DH

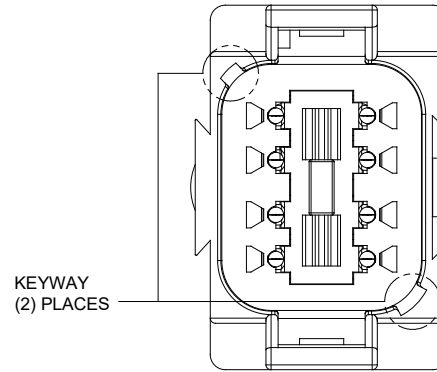
P/N AT04-08PA-P026  
KEY-A CONFIGURATION  
STANDARD COLOR: GREY



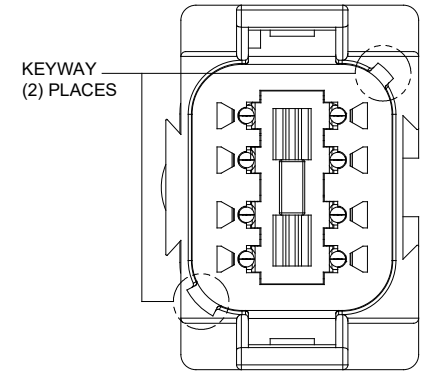
P/N AT04-08PB-P026  
KEY-B CONFIGURATION  
STANDARD COLOR: BLACK



P/N AT04-08PC-P026  
KEY-C CONFIGURATION  
STANDARD COLOR: GREEN



P/N AT04-08PD-P026  
KEY-D CONFIGURATION  
STANDARD COLOR: BROWN



TITLE: HYPERBUSS AT 8WAY RECP (2)4 PIN BUSBAR NICKEL-PLATED  
DWG NO: AT04-08PX-P026  
REV: A2  
SH: 2  
OF: 2

QUANTITY	PART NUMBER	DESCRIPTION	ITEM
<b>MATERIALS LIST</b>			
UNLESS OTHERWISE SPECIFIED 1) All dimensions are in metric (mm). 2) Tolerances are as follows: 1 PL DEC ±0.30 2 PL DEC ±0.15 3 PL DEC ±0.08 3) Note reference = $\Delta$		SIGNATURES    DATE DRAWN: ROOKIE    10APR18 CHECKED: ORION    10APR18 ENGINEER: APPROVAL: TOMMY    10APR18 CUSTOMER:	<div style="text-align: center;"> <h1>Amphenol</h1> <p>Sine Systems - www.amphenol-sine.com 44724 Morley Drive Clinton Township, MI 48036</p> </div>
MATERIAL SPECIFICATIONS:		THIS DRAWING IS SUPPLIED FOR INFORMATION ONLY. DESIGN FEATURES, SPECIFICATIONS AND PERFORMANCE DATA SHOWN HEREON ARE THE PROPERTY OF THE AMPHENOL CORPORATION. NO RIGHTS OF REPRODUCTION ARE IMPLIED. ALL DIMENSIONS ARE SUBJECT TO NORMAL MANUFACTURING VARIATIONS.	
PROCESS SPECIFICATIONS:		SIZE: <b>B C-</b> TYPE:    DWG NO: <b>AT04-08PX-P026</b> REVISION: <b>A2</b>	
NEXT ASSY:		SCALE: <b>NONE</b>	SHEET <b>2</b> OF <b>2</b>