

May not be suitable for all medical and aerospace applications.

Specifications: Contact Mallory Sonalert to discuss your application.

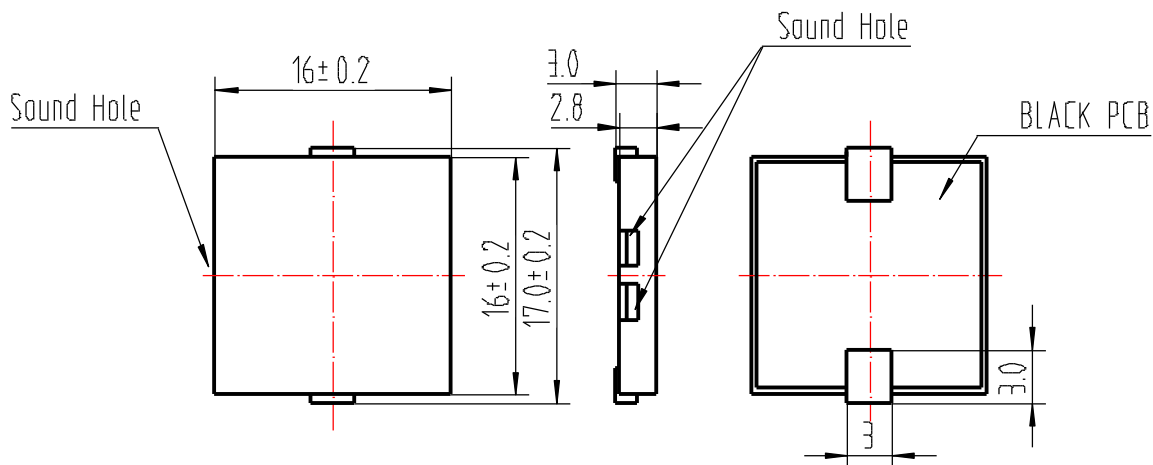
Resonant Frequency (Hz)	4000 ± 500
Operating Voltage (Vp-p)	1 ~ 25
Rated Voltage (Vp-p)	3.0
Current Consumption (mA/max)	3 at Rated Voltage
Sound Pressure Level Min. (dB)	75 at 10cm at Rated Voltage
Capacitance (pF)	14,000 ± 30% at 1 kHz
Operating Temperature (°C)	-30 ~ +100
Storage Temperature (°C)	-40 ~ +110
Housing	LPC Plastic Resin (Color : Black)
Weight (Grams)	1.0
Condition by reflow soldering (°C)	250 ± 5°C / within 5 sec
Condition by hand soldering (°C)	350 ± 20°C / within 5 sec
Options	For other options contact factory

Dimensions: (units: mm)

PS: Vp-p = 1/2duty, square wave

ROHS Compliant

NO CIRCUITRY



Packaging: Parts are supplied on Cut-Tape.

Units do not come with wash label and are not appropriate for aqueous wash.