

1

2

3

4

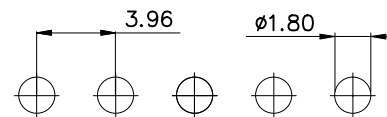
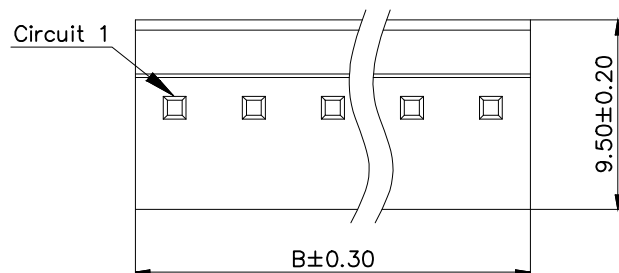
5

6

7

A

A



P.C.B LAYOUT

NOTE:

1.MATERIAL

- 1.1 Insulator:Nylon 66,UL94V-2
- 1.2 Contact:Brass,Tin over Nickel

2.ELECTRIC

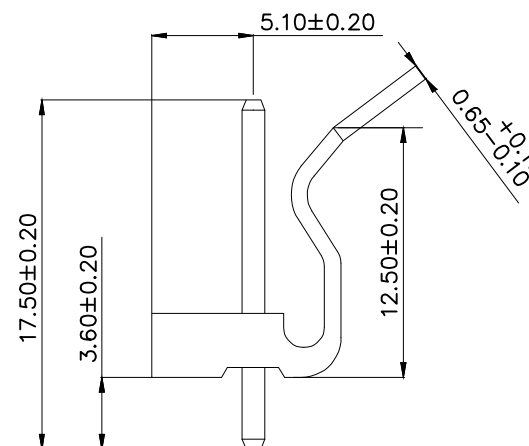
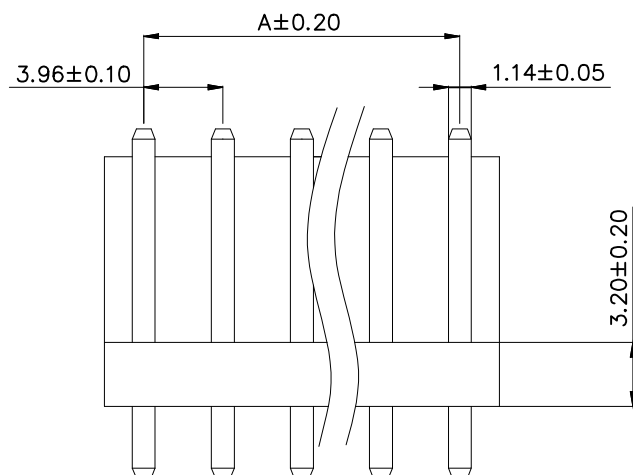
- 2.1 Voltage Rating:250V AC/DC
- 2.2 Current Rating:7A AC/DC
- 2.3 Withstanding Voltage:1500V AC/minute
- 2.4 Insulation Resistance:1000MΩ Min
- 2.5 Contact Resistance:20mΩ Max

3.Temperature Range:-25°C To +85°C

4.Packing:PE bag

C

C



Poles	Part No.	Dimensions (mm)	
		A	B
02	A-WBP-P002EG-02TB01	3.96	7.92
03	A-WBP-P002EG-03TB01	7.92	11.88
04	A-WBP-P002EG-04TB01	11.88	15.84
05	A-WBP-P002EG-05TB01	15.84	19.80
06	A-WBP-P002EG-06TB01	19.80	23.76
07	A-WBP-P002EG-07TB01	23.76	27.72
08	A-WBP-P002EG-08TB01	27.72	31.68
09	A-WBP-P002EG-09TB01	31.68	35.64
10	A-WBP-P002EG-10TB01	35.64	39.60
11	A-WBP-P002EG-11TB01	39.60	43.56
12	A-WBP-P002EG-12TB01	43.56	47.52
13	A-WBP-P002EG-13TB01	47.52	51.48
14	A-WBP-P002EG-14TB01	51.48	55.44
15	A-WBP-P002EG-15TB01	55.44	59.40
16	A-WBP-P002EG-16TB01	59.40	63.36
17	A-WBP-P002EG-17TB01	63.36	67.32
18	A-WBP-P002EG-18TB01	67.32	71.28
19	A-WBP-P002EG-19TB01	71.28	75.24
20	A-WBP-P002EG-20TB01	75.24	79.20

D

D

E

E

F

F

G

G

RoHS compliant

unit:mm



① File No.: E198287

Scale Free

TOLERANCE

X. ±0.35

X.X ±0.25

X.XX ±0.20

X.XXX ±0.15

DIM TOL

Angle TOL

①

②

③

④

⑤

⑥

⑦

⑧

Add UL E-No. on page 1
03.17.2023 Peter

Drawn
01.12.2022 Peter

modification
Date Name

Date
01.12.2022
03.17.2022

Drawn
01.12.2022 Peter

Date Name

Date Name

Drawn 01.12.2022 Peter

Approved 03.17.2022 Peter

Description: Wire to Board Wafer
Pitch 3.96mm 180° THT

ASSMANN WSW-NO.

A-WBP-P002EG-xxTB01

Drawing-No.

ASS 9207 CO

rev01

Customer-No.

SHEET
1 / 3

1

2

3

4

5

6

7

H

H

1

2

3

4

5

6

7

A

B

C

D

E

F

A

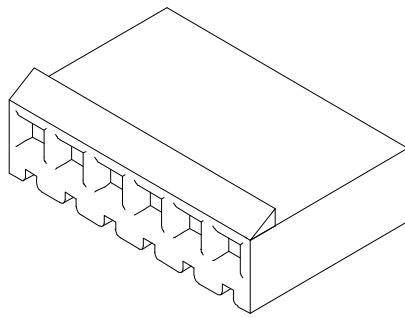
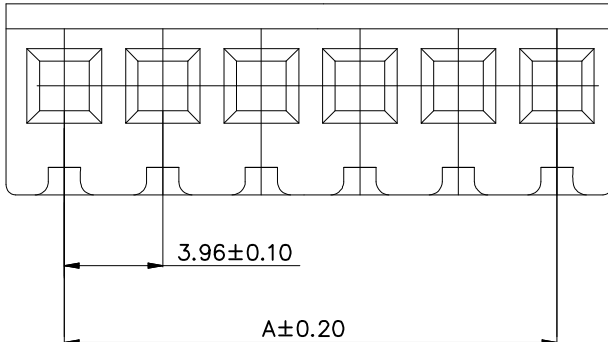
B

C

D

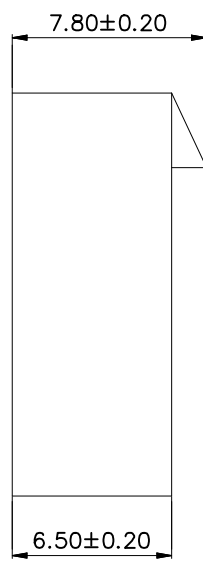
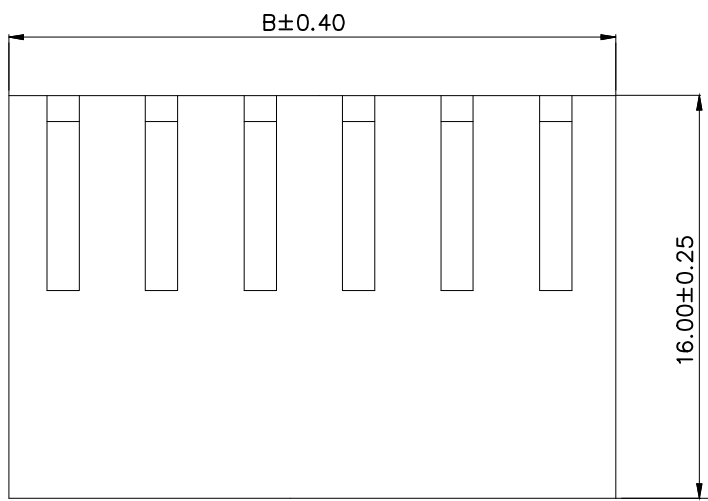
E

F



NOTE:

- 1.MATERIAL
 - 1.1 Insulator:Nylon 66,UL94V-2
- 2.ELECTRIC
 - 2.1 Voltage Rating:250V AC/DC
 - 2.2 Current Rating:7A AC/DC
 - 2.3 Withstanding Voltage:1500V AC/minute
 - 2.4 Insulation Resistance:1000MΩ Min
- 3.Temperature Range:-25°C To +85°C
- 4.Packing:PE bag



Poles	Part No.	Dimensions (mm)	
		A	B
02	A-WBH-P002EG-02CB01	3.96	8.68
03	A-WBH-P002EG-03CB01	7.92	12.64
04	A-WBH-P002EG-04CB01	11.88	16.60
05	A-WBH-P002EG-05CB01	15.84	20.56
06	A-WBH-P002EG-06CB01	19.80	24.52
07	A-WBH-P002EG-07CB01	23.76	28.48
08	A-WBH-P002EG-08CB01	27.72	32.44
09	A-WBH-P002EG-09CB01	31.68	36.40
10	A-WBH-P002EG-10CB01	35.64	40.36
11	A-WBH-P002EG-11CB01	39.60	44.32
12	A-WBH-P002EG-12CB01	43.56	48.28
13	A-WBH-P002EG-13CB01	47.52	52.24
14	A-WBH-P002EG-14CB01	51.48	56.20
15	A-WBH-P002EG-15CB01	55.44	60.16
16	A-WBH-P002EG-16CB01	59.40	64.12
17	A-WBH-P002EG-17CB01	63.36	68.08
18	A-WBH-P002EG-18CB01	67.32	72.04
19	A-WBH-P002EG-19CB01	71.28	76.00
20	A-WBH-P002EG-20CB01	75.24	79.96

RoHS compliant
unit:mm

Scale	Free
TOLERANCE	
X.	±0.35
X.X	±0.25
X.XX	±0.20
X.XXX	±0.15
DIM	TOL
Angle	TOL

①	Add UL E-No. on page 1	03.17.2023	Peter
②	Drawn	01.12.2022	Peter
Id.	modification	Date	Name

Date: 01.12.2022 Name: Peter
 Drawn
 Date: 03.17.2022 Name: Peter
 Approved
ASSMANN
 WSW components

Description: Wire to Board Housing
Pitch 3.96mm
 ASSMANN WSW-NO.
A-WBH-P002EG-xxCB01
 Drawing-No. ASS 9207 CO rev01
 Customer-No. SHEET 2 / 3

1

2

3

4

5

6

7

G

H

1

2

3

4

5

6

7

A

A

B

B

C

C

D

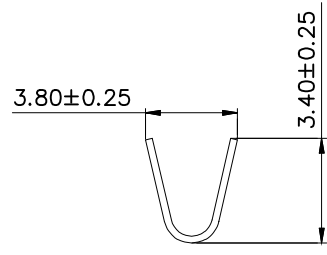
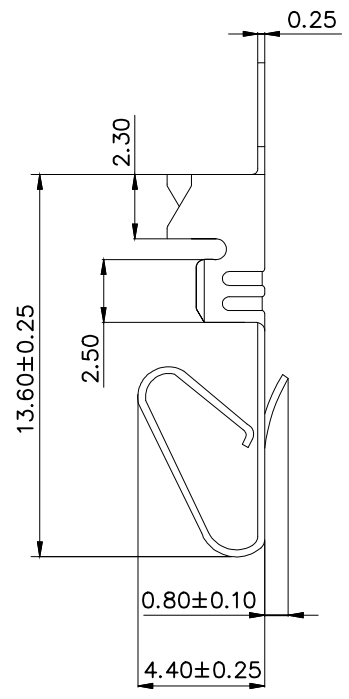
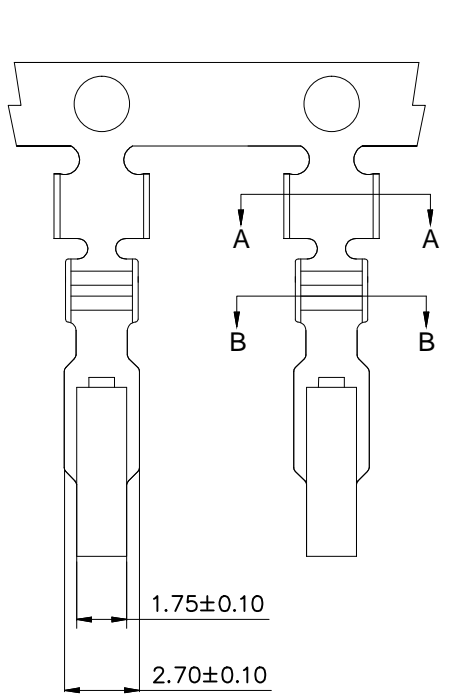
D

E

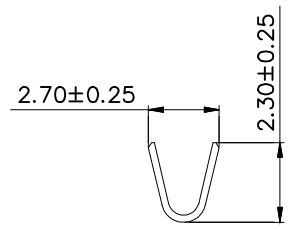
E

F

F



SEC:A-A



SEC:B-B

NOTE:

- 1.MATERIAL
 - 1.1 Insulator:Brass,Tin over Nickel
- 2.ELECTRIC
 - 2.1 Voltage Rating:250V AC/DC
 - 2.2 Current Rating:7A AC/DC
 - 2.3 Withstanding Voltage:1500V AC/minute
 - 2.4 Insulation Resistance:1000MΩ Min
 - 2.5 Contact Resistance:20mΩ Max
- 3.Temperature Range:-25°C To +85°C
- 4.Applicable Wire:AWG#18-#22
- 5.Packing:Reel

RoHS compliant
unit:mm

Scale	Free
TOLERANCE	
X.	±0.35
X.X	±0.25
X.XX	±0.20
X.XXX	±0.15
DIM	TOL
Angle	TOL

①	Add UL E-No. on page 1	03.17.2023	Peter
②	Drawn	01.12.2022	Peter
Id.	modification	Date	Name

Drawn 01.12.2022 Peter

Approved 03.17.2022 Peter

Description: Wire to Board Terminal Pitch 3.96mm	
ASSMANN WSW-NO. A-WBT-P002EG-01CR01	
Drawing-No. ASS 9207 CO	rev01
Customer-No.	SHEET 3 / 3

1

2

3

4

5

6

7

H

H