

1

2

3

4

5

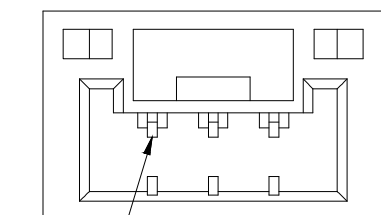
6

7

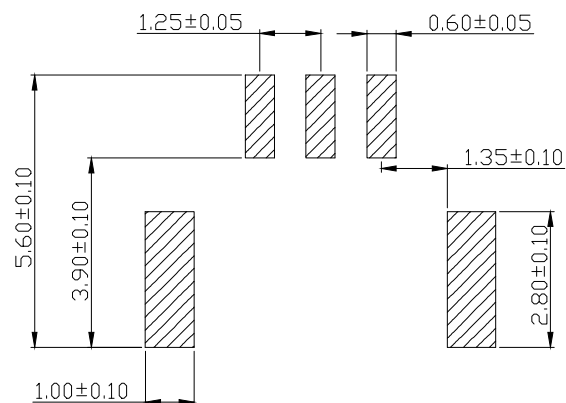
A

A

P.C.B LAYOUT



Circuit 1

 1.25 ± 0.05
 $A \pm 0.10$


Notes:
 Insulator Material: Nylon 9T Ivory UL94V-0;
 Contact Pin: Brass, Tin over Nickel;
 Voltage Rating: 50V AC/DC;
 Current Rating: 1A AC/DC;
 Insulation Resistance: 100MΩ Min;
 Withstanding Voltage: 500V AC/minute;
 Operation Temperature: -40°C to +105°C;
 ① Packing: Tape&Reel+Cap

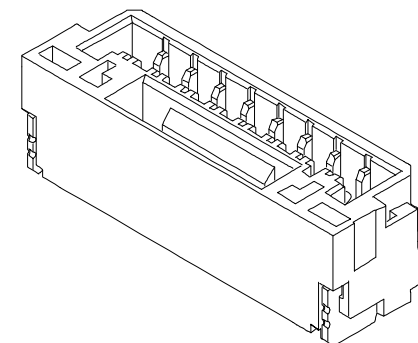
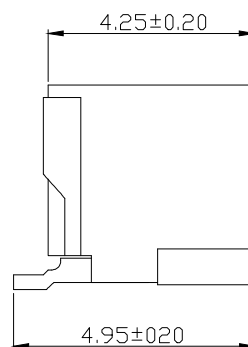
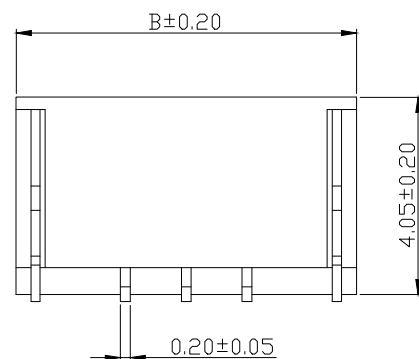
B

C

B

D

D



Poles	Dimensions(mm)	
	A	B
02	1.25	5.75
03	2.50	7.00
04	3.75	8.25
05	5.00	9.50
06	6.25	10.75
07	7.50	12.00
08	8.75	13.25
09	10.00	14.50
10	11.25	15.75
11	12.50	17.00
12	13.75	18.25
13	15.00	19.50
14	16.25	20.75
15	17.50	22.00

E

F

E

F

RoHS compliant

Unit:mm

Scale Free

TOLERANCE

X. ±0.35

X.X ±0.25

X.XX ±0.20

X.XXX ±0.15

DIM TOL

Angle TOL

Id.

Modification

Date

Name

Date

Name

Date

Name

Date

Name

Date

Name

Description: Wire to board connector
Wafer Pitch 1.25mm 180° SMT

Drawn

12.10.2021

Peter

Approved

14.07.2023

Peter

ASSMANN WSW-No.

A-WBP-D005EG-xxSR01

Drawing-No.

ASS 9131 CO

rev01

Customer-No.

SHEET
1 / 4

G

H

G

H

1

2

3

4

5

6

7

SV5145

1

2

3

4

5

6

7

A

B

C

D

E

F

A

B

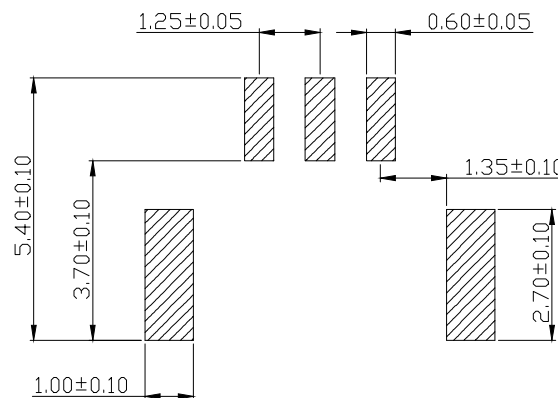
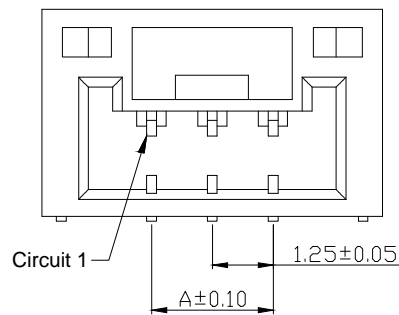
C

D

E

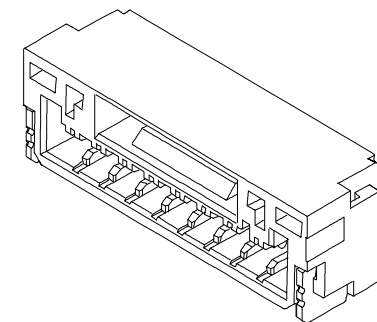
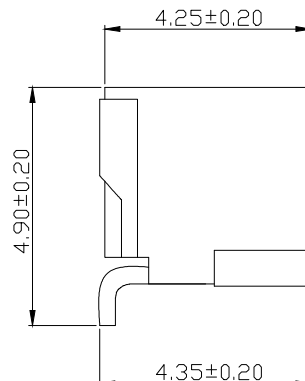
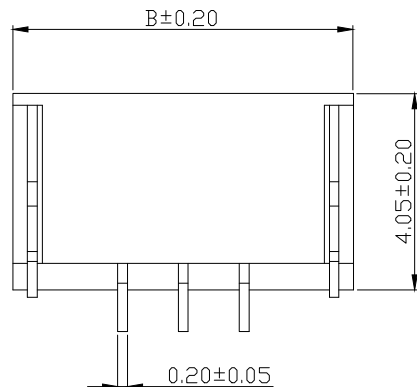
F

P.C.B LAYOUT



Notes:

Insulator Material: Nylon 9T Ivory UL94V-0;
 Contact Pin: Brass, Tin over Nickel;
 Voltage Rating: 50V AC/DC;
 Current Rating: 1A AC/DC;
 Insulation Resistance: 100MΩ Min;
 Withstanding Voltage: 500V AC/minute;
 Operation Temperature: -40°C to +105°C;
 Packing: Tape&Reel.



Poles	Dimensions(mm)	
	A	B
02	1.25	5.75
03	2.50	7.00
04	3.75	8.25
05	5.00	9.50
06	6.25	10.75
07	7.50	12.00
08	8.75	13.25
09	10.00	14.50
10	11.25	15.75
11	12.50	17.00
12	13.75	18.25
13	15.00	19.50
14	16.25	20.75
15	17.50	22.00

RoHS compliant

Unit:mm

Scale Free

TOLERANCE

X. ±0.35

X.X ±0.25

X.XX ±0.20

X.XXX ±0.15

DIM TOL

Angle TOL

Id.

Modification

Date

Name

①

②

Id.

Modification

Date

Name

Updated the dimension and tolerance

14.07.2023

Peter

Drawn

12.10.2021

Peter

ASSMANN WSW components

ASS 9131 CO

Customer-No.

SHEET 2 / 4

Date

Name

Description: Wire to board connector

Wafer Pitch 1.25mm 90° SMT

ASSMANN WSW-No.

A-WBP-D005EA-xxSR01

Drawing-No.

ASS 9131 CO

Customer-No.

SHEET 2 / 4

Date

Name

Description: Wire to board connector
Wafer Pitch 1.25mm 90° SMT

ASSMANN WSW-No.

A-WBP-D005EA-xxSR01

Drawing-No.

ASS 9131 CO

rev01

Customer-No.

SHEET 2 / 4

1

2

3

4

5

6

7

1

2

3

4

5

6

7

A

A

B

B

C

C

D

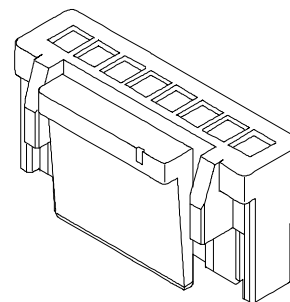
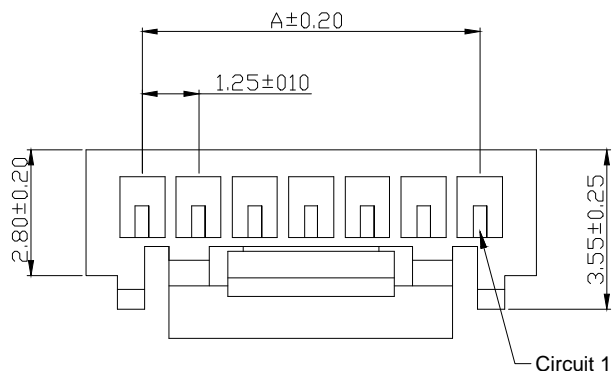
D

E

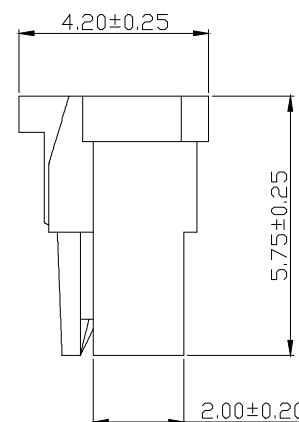
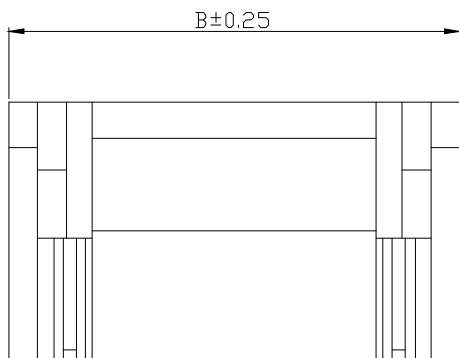
E

F

F



Notes:
 Insulator Material: Nylon66 White UL94V-0;
 Voltage Rating: 50V AC/DC;
 Current Rating: 1A AC/DC;
 Insulation Resistance: 100MΩ Min;
 Withstanding Voltage: 500V AC/minute;
 Operation Temperature: -40°C to +105°C;
 Packing: PE bag.



Poles	Dimensions(mm)	
	A	B
02	1.25	3.75
03	2.50	5.00
04	3.75	6.25
05	5.00	7.50
06	6.25	8.75
07	7.50	10.00
08	8.75	11.25
09	10.00	12.50
10	11.25	13.75
11	12.50	15.00
12	13.75	16.25
13	15.00	17.50
14	16.25	18.75
15	17.50	20.00

G

G

RoHS compliant

Unit:mm

Scale	Free
-------	------

TOLERANCE	
-----------	--

X.	±0.35
----	-------

X.X	±0.25
-----	-------

X.XX	±0.20
------	-------

X.XXX	±0.15
-------	-------

DIM	TOL
-----	-----

Angle	TOL
-------	-----

Id.	Modification	Date	Name
①	Updated the dimension and tolerance	14.07.2023	Peter
②	Drawn	12.10.2021	Peter

Date	Name
Drawn 12.10.2021	Peter
Approved 14.07.2023	Peter

ASSMANN
WSW components

Description: Wire to board Connector Housing Pitch 1.25mm	
ASSMANN WSW-No. A-WBH-D005EG-xxCB01	
Drawing-No. ASS 9131 CO	rev01
Customer-No.	SHEET 3 / 4

1

2

3

4

5

6

7

1

2

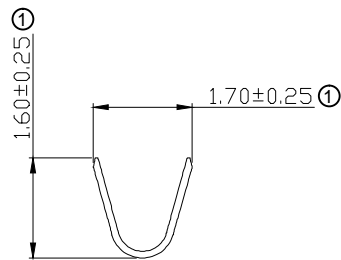
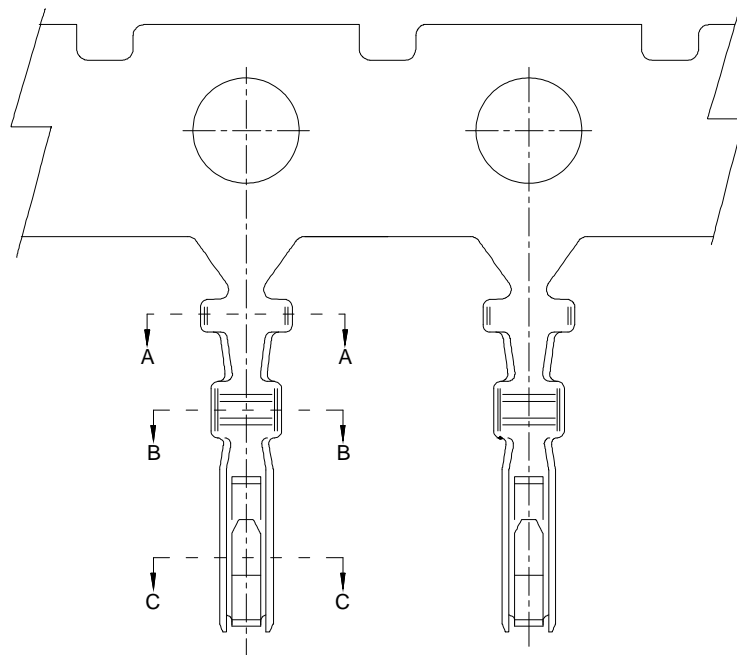
3

4

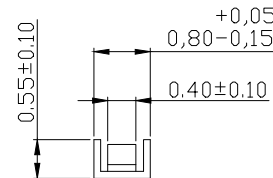
5

6

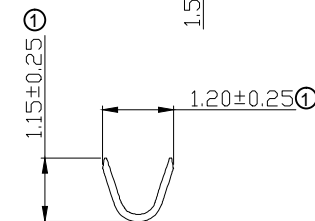
7



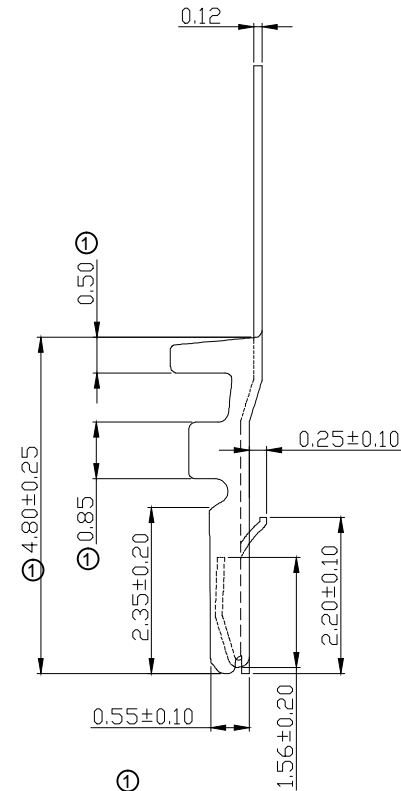
SEC:A-A



SEC:C-C



SEC:B-B



Notes:

Material:

Phosphor Bronze,

Plating:

Tin over Nickel;

Voltage Rating:

50V AC/DC;

Current Rating:

1A AC/DC;

Contact Resistance:

30mΩ Max;

Withstanding Voltage:

500V AC/minute;

Operation Temperature:

-40°C to +105°C;

Wire Range:

#28-#32;

Packing:

Reel;

A

A

B

B

C

C

D

D

E

E

F

F

G

G

RoHS compliant

Unit:mm

Scale Free

TOLERANCE

X. ±0.35

X.X ±0.25

X.XX ±0.20

X.XXX ±0.15

DIM TOL

Angle TOL

①

Updated the dimension and tolerance

14.07.2023

Peter

②

Drawn

12.10.2021

Peter

Id.

Modification

Date

Name

Date

Name

Description: Wire to board connector
Terminal Pitch 1.25mm Crimp

Drawn

12.10.2021

Peter

Approved

14.07.2023

Peter

ASSMANN WSW-No.

A-WBT-D005EG-01CR01

Drawing-No.

ASS 9131 CO

rev01

Customer-No.

SHEET
4 / 4

1

2

3

4

5

6

7

SV5145