

1

2

3

4

5

6

7

A

A

B

B

C

C

D

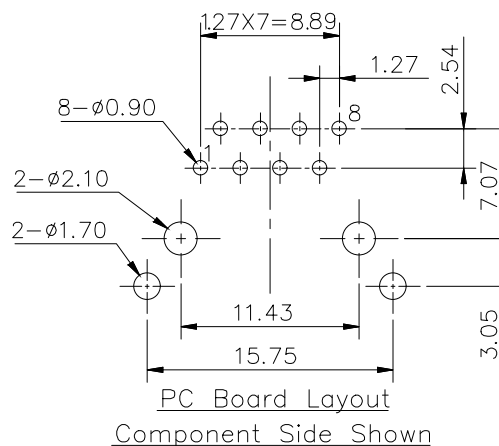
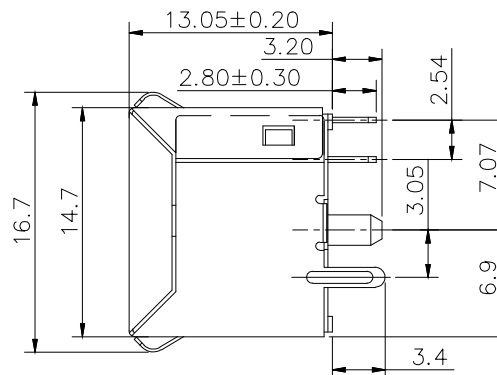
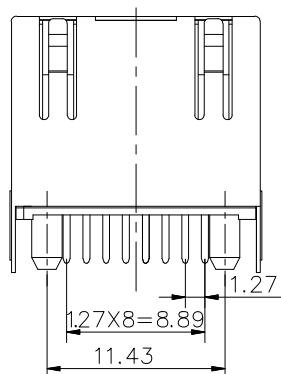
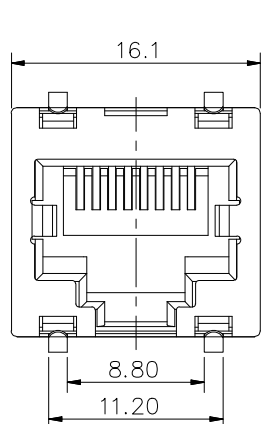
D

E

E

F

F



## NOTES:

## MATERIAL

- 1.1 Housing: PA9T, Black, UL94V-0;  
1.2 Shell: Copper Alloy t=0.20mm;  
1.3 Contact pin: Phosphor Bronze t=0.35mm;

## 2. FINISH

- 2.1 Contact Pin: Gold plating over Nickel;  
2.2 Shell: Nickel plated;

## 3. MECHANICAL

- 3.1 PCB retention pre-solder: 1 LB Min;  
3.2 PCB retention post-solder: 10 LB Min;  
3.3 Operating: 1500 Cycles Min;

## 4. ELECTRICAL

- 4.1 Current Rating: 1.5 AMP;  
4.2 Voltage Rating: 125 VAC  
4.3 Dielectric Strength: 1000 VAC 60Hz, 1 minute;  
4.4 Contact Resistance: 30mΩ max;  
4.5 Insulation Resistance: 1000 MΩ min, @ 500 VDC;

5. Operating temperature: -40°C TO +85°C;  
6. Storage temperature: -40°C TO +85°C;  
7. Wave or Reflow Soldering temperature: 255~265°C for 5~10S;  
8. Packing: Tray;  
9. Mates with modular plug conforming to TIA-1096-A.

## A-MJH-8-EG-xRP-S15

- G: Au flash  
P: Au 15u"  
H: Au 30u"  
L: Au 50u"

G

G

RoHS compliant

Unit:mm

Scale Free

TOLERANCE

X.X ±0.20

X.XX ±0.15

X.XXX ±0.10

DIM TOL

Angle ±5°

①

②

Id.

Add page 2

Drawn

Modification

28.03.2022

05.11.2021

Date

Segal

Segal

Name

Date

Name

Segal

Segal

Description: Modular connector 8pins horizontal CAT 5E

ASSMANN WSW-No.

A-MJH-8-EG-xRP-S15

Drawing-No.

ASS 9076 CO

rev01

Customer-No.

SHEET  
1 / 2

1

2

3

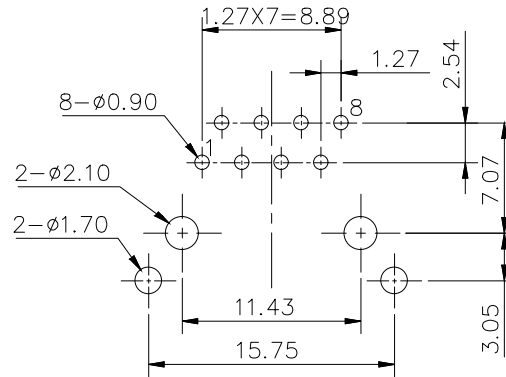
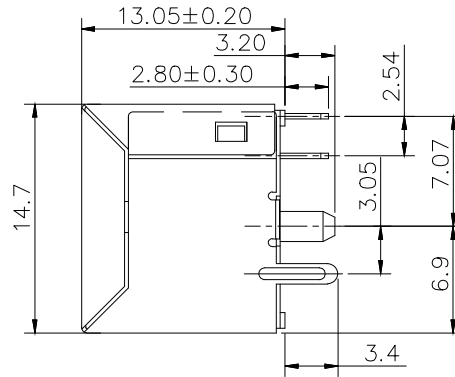
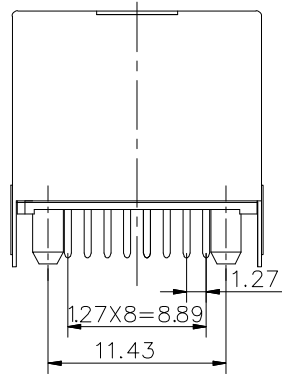
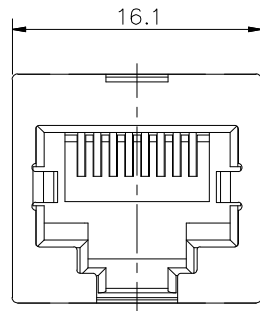
4

5

6

7

CON1507



PC Board Layout  
Component Side Shown

**NOTES:**

**MATERIAL**

- 1.1 Housing: PA9T, Black, UL94V-0;
- 1.2 Shell: Copper Alloy t=0.20mm;
- 1.3 Contact pin: Phosphor Bronze t=0.35mm;

**2. FINISH**

- 2.1 Contact Pin: Gold plating over Nickel;
- 2.2 Shell: Nickel plated;

**3. MECHANICAL**

- 3.1 PCB retention pre-solder: 1 LB Min;
- 3.2 PCB retention post-solder: 10 LB Min;
- 3.3 Operating: 1500 Cycles Min;

**4. ELECTRICAL**

- 4.1 Current Rating: 1.5 AMP;
- 4.2 Voltage Rating: 125 VAC
- 4.3 Dielectric Strength: 1000 VAC 60Hz, 1 minute;
- 4.4 Contact Resistance: 30mΩ max;
- 4.5 Insulation Resistance: 1000 MΩ min, @ 500 VDC;

- 5. Operating temperature: -40°C TO +85°C;
- 6. Storage temperature: -40°C TO +85°C;
- 7. Wave or Reflow Soldering temperature: 255~265°C for 5~10S;
- 8. Packing: Tray;
- 9. Mates with modular plug conforming to TIA-1096-A.

**A-MJH-8-EG-xRP-S14**

- G: Au flash
- P: Au 15u"
- H: Au 30u"
- L: Au 50u"

**RoHS compliant**

Unit:mm

Scale	Free
TOLERANCE	
X.X	±0.20
X.XX	±0.15
X.XXX	±0.10
DIM	TOL
Angle	±5°

					Date	Name	Description: Modular connector 8pins horizontal CAT 5E		
				Drawn	05.11.2021	Segal			
				Approved	28.03.2022	Segal	ASSMANN WSW-No.		
							<b>A-MJH-8-EG-xRP-S14</b>		
		①	Add page 2	28.03.2022	Segal	<b>ASSMANN</b> WSW components	Drawing-No.	ASS 9076 CO	rev01
		②	Drawn	05.11.2021	Segal		Customer-No.		
		Id.	Modification	Date	Name		SHEET		2 / 2