

1

2

3

4

5

6

7

A

A

B

B

C

C

D

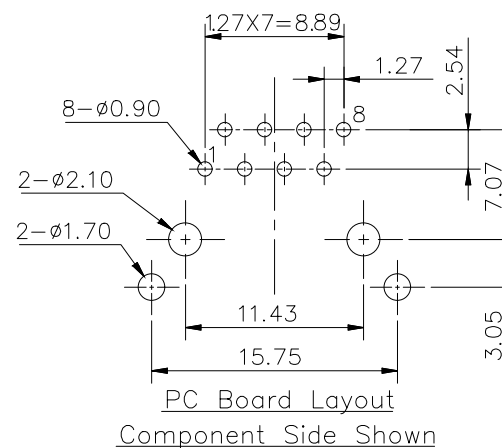
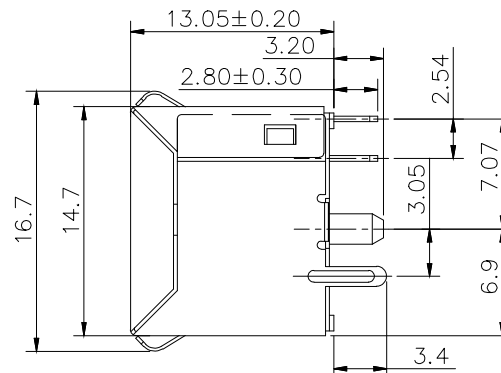
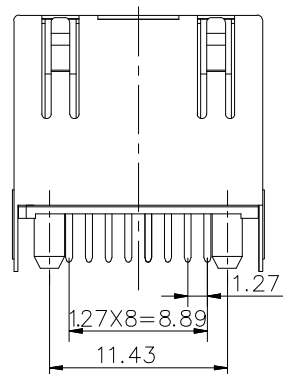
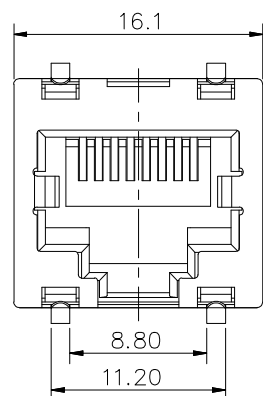
D

E

E

F

F



## NOTES:

## MATERIAL

- 1.1 Housing: PBT UL94V-0;  
1.2 Shell: Copper Alloy t=0.20mm;  
1.3 Contact pin: Phosphor Bronze t=0.35mm;

## 2. FINISH

- 2.1 Contact Pin: Gold plating over Nickel;  
2.2 Shell: Nickel plated;

## 3. MECHANICAL

- 3.1 PCB retention pre-solder: 1 LB Min;  
3.2 PCB retention post-solder: 10 LB Min;  
3.3 Operating: 1500 Cycles Min;

## 4. ELECTRICAL

- 4.1 Current Rating: 1.5 AMP;  
4.2 Voltage Rating: 125 VAC  
4.3 Dielectric Strength: 1000 VAC 60Hz, 1 minute;  
4.4 Contact Resistance: 30mΩ max;  
4.5 Insulation Resistance: 1000 MΩ min, @ 500 VDC;

5. Operating temperature: -40°C TO +85°C;  
6. Storage temperature: -40°C TO +85°C;  
7. Wave Soldering temperature: 255~265°C for 5-10S;  
8. Packing: Tray;  
9. Mates with modular plug conforming to TIA-1096-A.

## A-MJH-8-EG-xTP-S13

- G: Au flash  
P: Au 15u"  
H: Au 30u"  
L: Au 50u"

G

G

RoHS compliant

Unit:mm

Scale Free

TOLERANCE

X.X ±0.20

X.XX ±0.15

X.XXX ±0.10

DIM TOL

Angle ±5°

①

Add page 2

28.03.2022

Segal

②

Drawn

05.11.2021

Segal

Id.

Modification

Date

Name

Date

Name

Drawn

05.11.2021

Segal

Approved

28.03.2022

Segal

Description: Modular connector 8pins  
horizontal CAT 5E

ASSMANN WSW-No.

A-MJH-8-EG-xTP-S13

Drawing-No.

ASS 9075 CO

rev01

Customer-No.

SHEET  
1 / 2

1

2

3

4

5

6

7

CON1507

1

2

3

4

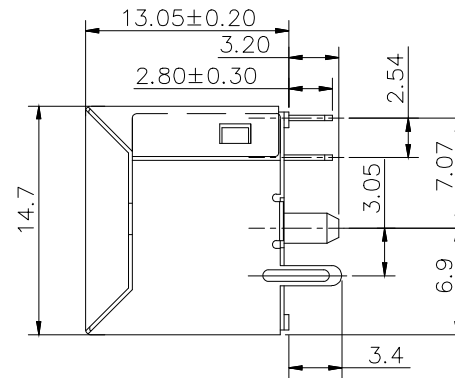
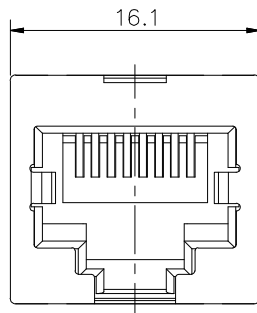
5

6

7

A

A



## NOTES:

## MATERIAL

- 1.1 Housing: PBT UL94V-0;  
 1.2 Shell: Copper Alloy t=0.20mm;  
 1.3 Contact pin: Phosphor Bronze t=0.35mm;

## 2. FINISH

- 2.1 Contact Pin: Gold plating over Nickel;  
 2.2 Shell: Nickel plated;

## 3. MECHANICAL

- 3.1 PCB retention pre-solder: 1 LB Min;  
 3.2 PCB retention post-solder: 10 LB Min;  
 3.3 Operating: 1500 Cycles Min;

## 4. ELECTRICAL

- 4.1 Current Rating: 1.5 AMP;  
 4.2 Voltage Rating: 125 VAC  
 4.3 Dielectric Strength: 1000 VAC 60Hz, 1 minute;  
 4.4 Contact Resistance: 30mΩ max;  
 4.5 Insulation Resistance: 1000 MΩ min, @ 500 VDC;

5. Operating temperature: -40°C TO +85°C;  
 6. Storage temperature: -40°C TO +85°C;  
 7. Wave Soldering temperature: 255~265°C for 5-10S;  
 8. Packing: Tray;  
 9. Mates with modular plug conforming to TIA-1096-A.

## A-MJH-8-EG-xTP-S12

- G: Au flash  
 P: Au 15u"  
 H: Au 30u"  
 L: Au 50u"

B

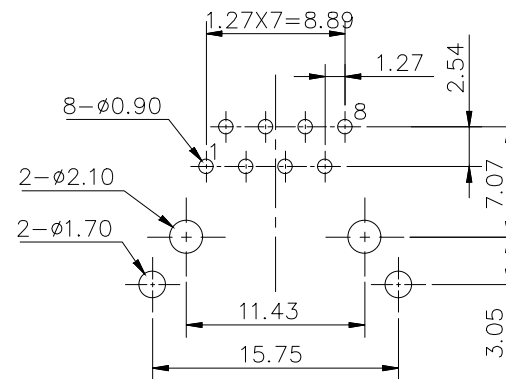
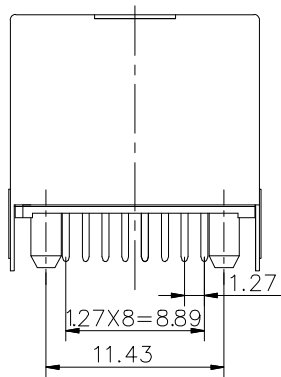
B

C

C

D

D



PC Board Layout  
 Component Side Shown

E

E

F

F

G

G

RoHS compliant

Unit:mm

Scale Free

TOLERANCE

X.X ±0.20

X.XX ±0.15

X.XXX ±0.10

DIM TOL

Angle ±5°

①

②

Id.

Add page 2

Drawn

Modification

28.03.2022

05.11.2021

Date

Segal

Segal

Name

Date

Name

Drawn

05.11.2021

Segal

**ASSMANN**  
 WSW components

Description: Modular connector 8pins horizontal CAT 5E

ASSMANN WSW-No.

A-MJH-8-EG-xTP-S12

Drawing-No.

ASS 9075 CO

rev01

Customer-No.

SHEET  
2 / 2

H

H

1

2

3

4

5

6

7