

NOTES:

MATERIAL
 1.1 Housing: PBT UL94V-0;
 1.2 Shell: Brass;
 1.3 Contact pin: Phosphor Bronze;

2. FINISH
 2.1 Contact Pin: Gold plating over Nickel;
 2.2 Shell: Nickel plated;

3. MECHANICAL
 3.1 PCB retention pre-solder: 1 LB Min;
 3.2 PCB retention post-solder: 10 LB Min;
 3.3 Operating: 1500 Cycles Min;

4. ELECTRICAL
 4.1 Current Rating: 1.5 AMP;
 4.2 Voltage Rating: 125 VAC
 4.3 Dielectric Strength: 1000 VAC 60Hz, 1 minute;
 4.4 Contact Resistance: 30mΩ max;
 4.5 Insulation Resistance: 1000 MΩ min, @ 500 VDC;

5. Operating temperature: -40°C TO +85°C;
 6. Storage temperature: -40°C TO +85°C;
 7. Wave Soldering temperature: 255-265°C for 5~10S;
 8. Packing: Tray;
 9. Mates with modular plug conforming to TIA-1096-A.

A-MJH-8-EA-xTP-S11

- G: Au flash
- P: Au 15u"
- H: Au 30u"
- L: Au 50u"

G	RoHS compliant	Scale	Free					Date	Name	Description: Modular connector 8pins vertical CAT 5E		
		TOLERANCE						Drawn	05.11.2021		Segal	
		X.X	±0.20					Approved	28.03.2022	Segal	ASSMANN WSW-No.	
		X.XXX	±0.10								A-MJH-8-EA-xTP-S11	
H	Unit:mm	DIM	TOL	①	Add page 2	28.03.2022	Segal			Drawing-No.	ASS 9074 CO	rev01
				②	Drawn	05.11.2021	Segal			Customer-No.	SHEET	1 / 2
		Angle	±5°	Id.	Modification	Date	Name					

1

2

3

4

5

6

7

A

B

C

D

E

F

A

B

C

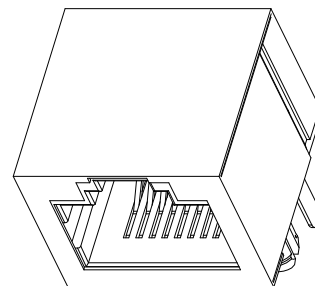
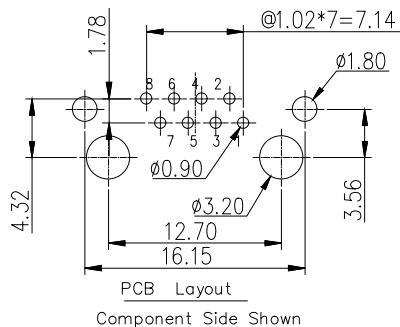
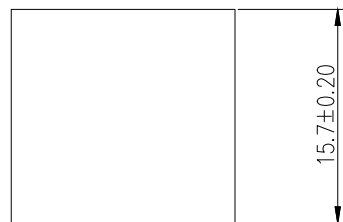
D

E

F

G

H



NOTES:

MATERIAL

- 1.1 Housing: PBT UL94V-0;
- 1.2 Shell: Brass;
- 1.3 Contact pin: Phosphor Bronze;

2. FINISH

- 2.1 Contact Pin: Gold plating over Nickel;
- 2.2 Shell: Nickel plated;

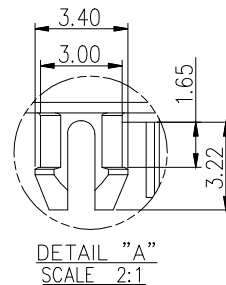
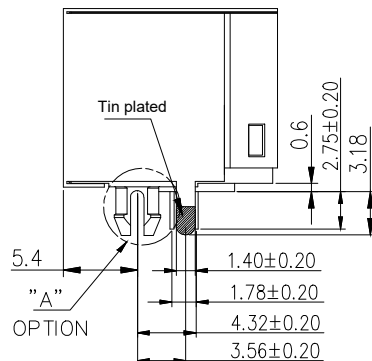
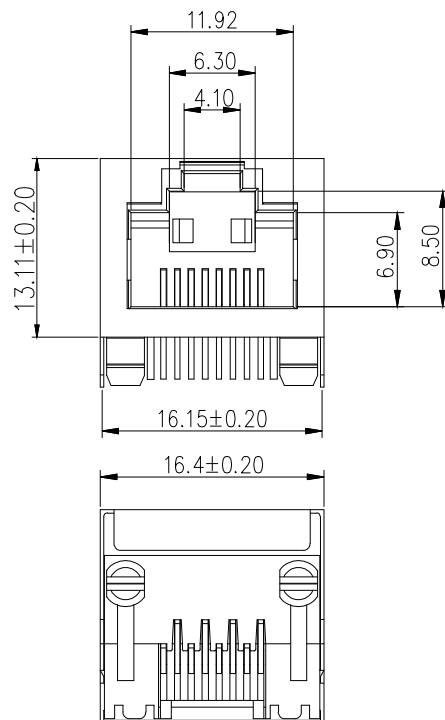
3. MECHANICAL

- 3.1 PCB retention pre-solder: 1 LB Min;
- 3.2 PCB retention post-solder: 10 LB Min;
- 3.3 Operating: 1500 Cycles Min;

4. ELECTRICAL

- 4.1 Current Rating: 1.5 AMP;
- 4.2 Voltage Rating: 125 VAC
- 4.3 Dielectric Strength: 1000 VAC 60Hz, 1 minute;
- 4.4 Contact Resistance: 30mΩ max;
- 4.5 Insulation Resistance: 1000 MΩ min, @ 500 VDC;

- 5. Operating temperature: -40°C TO +85°C;
- 6. Storage temperature: -40°C TO +85°C;
- 7. Wave Soldering temperature: 255~265°C for 5~10S;
- 8. Packing: Tray;
- 9. Mates with modular plug conforming to TIA-1096-A.



A-MJH-8-EA-xTP-S10

- G: Au flash
- P: Au 15u"
- H: Au 30u"
- L: Au 50u"

RoHS compliant

Unit:mm

Scale	Free
TOLERANCE	
X.X	±0.20
X.XX	±0.15
X.XXX	±0.10
DIM	TOL
Angle	±5°

①	Add page 2	28.03.2022	Segal
②	Drawn	05.11.2021	Segal
Id.	Modification	Date	Name



Description: Modular connector 8pins vertical CAT 5E	
ASSMANN WSW-No. A-MJH-8-EA-xTP-S10	
Drawing-No. ASS 9074 CO	rev01
Customer-No.	SHEET 2 / 2

1

2

3

4

5

6

7