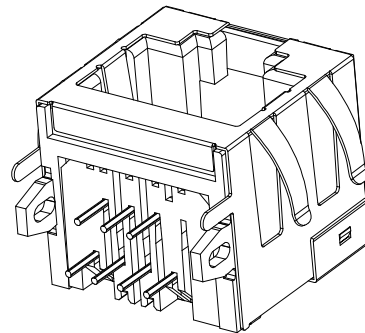


PC Board Layout
Component Side Shown



NOTES:

ELECTRICAL:

- 1. VOLTAGE RATING : 150 VAC.
- 2. CURRENT RATING : 1.5 AMP.
- 3. CONTACT RESISTANCE : 20 MILLIOHMS MAX.

- 5. DIELECTRIC STRENGTH : 1000 VAC 60Hz, 1MIN.

MECHANICAL:

- 1. HOUSING&INSERT&MATERIAL : PBT UL94-V0 BLACK
COLOR STANDARD BK.
- 2. SHIELD: : C2680H T=0.2MM PLATING NICKEL 30u"~80u" FOR ALL
- 3. CONTACT MATERIAL : PHOSPHOR BRONZE 0.46 mm.
- 4. PLATING : GOLD FLASH PLATING AT CONTACT AREA NICKEL 30U MIN.OVER ALL
- 5. OPERATING LIFE : 750 CYCLES MIN.
- 6. MATING/UNMATING FORCE : 30N/3.06KG MAX.
- 7. RETENTION STRENGTH : 50N MIN.FOR 60S+/-5S

ENVIRONMENTAL:

- 1. STORAGE : -40°C TO +85°C. RELATIVE HUMIDITY<80%
 - 2. OPERATION : -40°C TO +85°C.
 - 3. GUARANTEE PERIOD:12 MONTHS
 - 4. WAVE SOLDERING TEMPERATURE:260+/-5°C 5-10SECONDS.
- MATES WITH MODULAR PLUG CONFORMING TO TIA-1096-A.
Support category 5e and 6 applications and simplifies circuit design.

Order Code:

A-MJH-8-EA-GxP-S5
L R= THR Style
T= THT Style

RoHS compliant

Unit:mm

Scale	Free
-------	------

TOLERANCE	
-----------	--

X.X	±0.20
-----	-------

X.XX	±0.15
------	-------

X.XXX	±0.10
-------	-------

DIM	TOL
-----	-----

X.°	±5°
-----	-----

Angle	TOL
-------	-----

①	Drawn	21.06.2021	Luca
Id.	Modification	Date	Name

Date	Name	
21.06.2021	Luca	
21.06.2021	Luca	

Description: Modular Connector	
RJ45 / STP / SIDE ENTRY	
ASSMANN WSW-No.	
A-MJH-8-EA-GxP-S5	
Drawing-No.	rev00
ASS 8982 CO	
Customer-No.	SHEET 1 / 1