

1

2

3

4

5

6

7

A

A

B

B

C

C

D

D

E

E

F

F

NOTES:

ELECTRICAL:

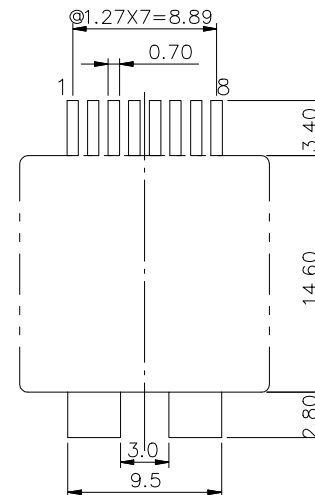
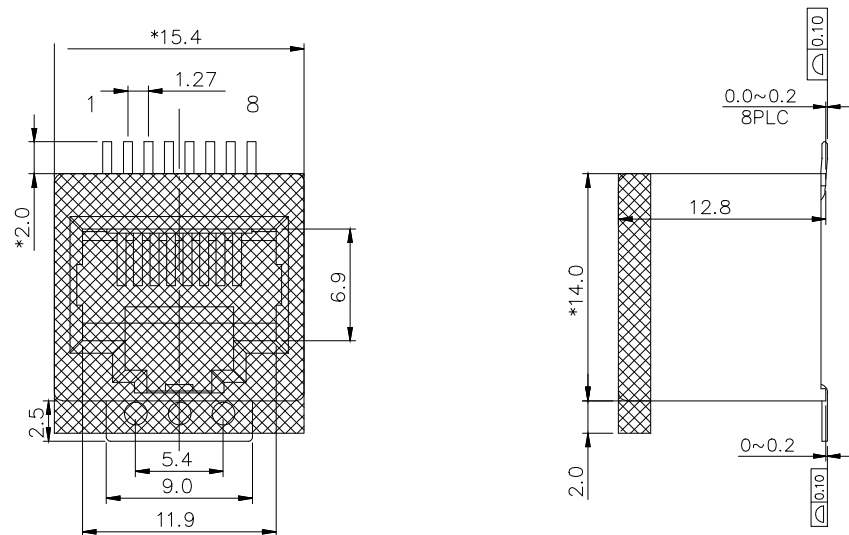
- 1. VOLTAGE RATING : 125 VAC.
- 2. CURRENT RATING : 1.5 AMP.
- 3. CONTACT RESISTANCE : 30 MILLIOHMS MAX.
- 4. INSULATION RESISTANCE: 1000 MEGOHMS MIN. @ 500 VDC.
- 5. DIELECTRIC STRENGTH : 1000 VAC 60Hz, 1MIN.

MECHANICAL:

- 1. HOUSING MATERIAL : HIGH TEMP. UL94V-0 PA9T BK.
- 2. INSERT : HIGH TEMP. UL94V-0 PA9T BK.
- 3. MYLAR SIZE : 20*16*0.06MM.
- 4. CONTACT MATERIAL : PHOSPHOR BRONZE C5210EH t=0.35mm
- 5. PLATING : GOLD PLATING OVER NICKEL.
- 6. OPERATING LIFE : 750 CYCLES MIN.
- 7. PCB RETENTION POST-SOLDER: 10 LBS MIN.

ENVIRONMENTAL:

- 1. STORAGE : -40°C TO +85°C.
 - 2. OPERATION: -40°C TO +85°C.
 - 3. IR REFLOW SOLDERING TEMPERATURE: 255°C TO 265°C (5~10 SECONDS).
- MATES WITH MODULAR PLUG CONFORMING TO FCC PART 68, SUBPART F.



G

G

H

H

RoHS compliant

Unit:mm

Scale	Free						Date	Name	Description: Modular Connector	
TOLERANCE						Drawn	21.06.2021	Luca	RJ45 / SMT / TOP ENTRY / H=12.8	
X.X	±0.20					Approved	21.06.2021	Luca	ASSMANN WSW-No.	
X.XX	±0.15								A-MJH-8-EG-GSP-S2	
X.XXX	±0.10								Drawing-No.	
DIM	TOL							ASS 8969 CO		rev00
X.°	±5°	ⓐ	Drawn	21.06.2021	Luca			Customer-No.		SHEET 1 / 1
Angle	TOL	Id.	Modification	Date	Name					

1

2

3

4

5

6

7