

1

2

3

4

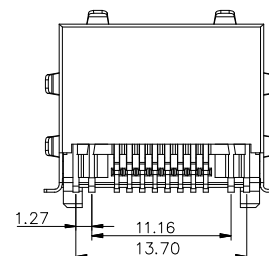
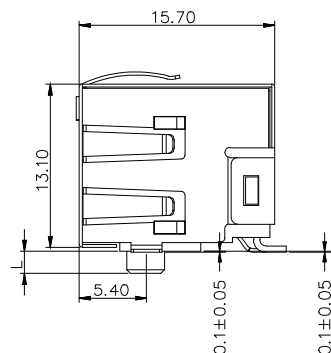
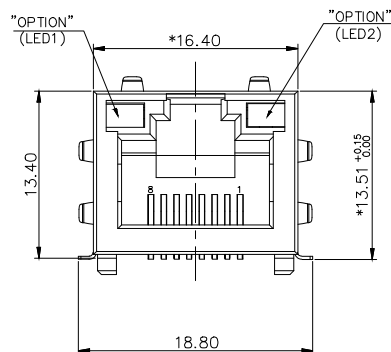
5

6

7

A

A



NOTES:

ELECTRICAL:

1. VOLTAGE RATING : 125 VAC.
2. CURRENT RATING : 1.5 AMP.
3. CONTACT RESISTANCE : 30 MILLIOHMS MAX.
4. INSULATION RESISTANCE : 1000 MEGOHMS MIN. @ 500 VDC.
5. DIELECTRIC STRENGTH : 750 VAC 60Hz, 1MIN.
6. DIELECTRIC STRENGTH SHIELD TO LED : 1500 VAC 60Hz, 1MIN.
7. LED RATINGS: FORWARD VOLTAGE : 2.2 VOLTS TYPICAL.
REVERSE VOLTAGE : 5 VOLTS MAXIMUM.
8. OPERATING: 750 CYCLES MIN.

MECHANICAL:

1. HOUSING MATERIAL : GLASS FILLED HIGH TEMP. UL94V-0.
2. SHIELD MATERIAL : C2680H PLATING NICKEL 30~80U. FOR ALL.
3. CONTACT MATERIAL : PHOSPHOR BRONZE t=0.30 mm.
UNDER PLATING: NICKEL PLATING 30~80U" OVER ALL
4. PLATING : GOLD PLATING OVER NICKEL.
5. PCB RETENTION PRE-SOLDER : 1 LB MIN.
6. PCB RETENTION POST-SOLDER: 10 LBS MIN.

ENVIRONMENTAL:

1. STORAGE : -40°C TO +85°C.
 2. OPERATION: -40°C TO +85°C.
 3. IR REFLOW SOLDERING TEMPERATURE: 255°C TO 265°C (5~10 SECONDS)
- MATES WITH MODULAR PLUG CONFORMING TO TIA-1096-A.

B

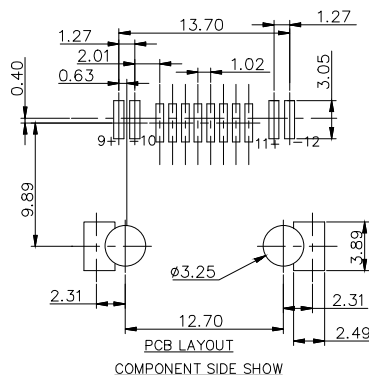
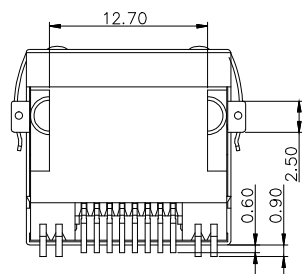
B

C

C

D

D



Order Code:

A-MJL-8-EA-GSP-Sxxx

- YG1= LED1: Yellow, LED2: Green w/ TABs PA9T BK
 YG2= LED1: Yellow, LED2: Green w/o TABs PA9T BK
 YG3= LED1: Green, LED2: Yellow w/ TABs PA9T BK
 YG4= LED1: Green, LED2: Yellow w/o TABs PA9T BK

E

E

F

F

LED DISPLAY		
PART NUMBER	LED 1	LED 2
A-MJL-8-EA-GSP-SYG1 A-MJL-8-EA-GSP-SYG2	YELLOW 9 10	GREEN 11 12
A-MJL-8-EA-GSP-SYG3 A-MJL-8-EA-GSP-SYG4	GREEN 9 10	YELLOW 11 12

G

G

RoHS compliant

Unit:mm

Scale Free

TOLERANCE

X.X ±0.20

X.XX ±0.15

X.XXX ±0.10

DIM TOL

X.° ±5°

Angle TOL

①

Drawn

Id.

Modification

21.06.2021

Date

Luca

Name

Date

Name

Description: Modular Connector

RJ45 / SMT / STP / LED

ASSMANN WSW-No.

A-MJL-8-EA-GSP-Sxxx

Drawing-No.

ASS 8967 CO

rev00

Customer-No.

SHEET
1 / 1

1

2

3

4

5

6

7

SV4832