

1

2

3

4

5

6

7

A

B

C

D

E

F

G

H

A

B

C

D

E

F

G

H

NOTES:

ELECTRICAL:

1. VOLTAGE RATING : 125 VAC RMS.
2. CURRENT RATING : 1.5 AMP.
3. CONTACT RESISTANCE : 45 MILLIOHMS MAX.
4. INSULATION RESISTANCE: 1000 MEGOHMS MIN @ 500 VDC.
5. DIELECTRIC STRENGTH : 1000 VAC RMS 60Hz, 1MIN.

MECHANICAL:

1. HOUSING MATERIAL : HIGH TEMP OR POLYESTER. 30%G.F UL94V-0
2. CONTACT MATERIAL : PHOSPHOR BRONZE ϕ 0.46mm.
3. PLATING : GOLD PLATING OVER NICKEL '30~80u'
4. OPERATING LIFE : 750 CYCLES MIN.
5. PCB RETENTION PRE-SOLDER : 1 LB MIN.
6. PCB RETENTION POST-SOLDER: 10 LBS MIN.

ENVIRONMENTAL:

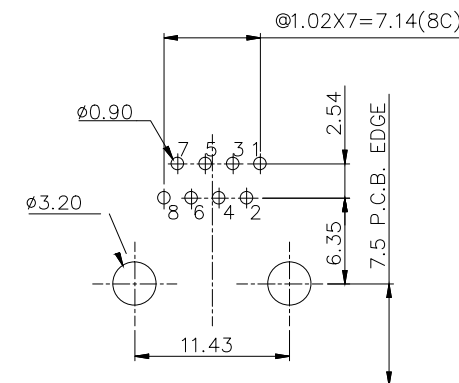
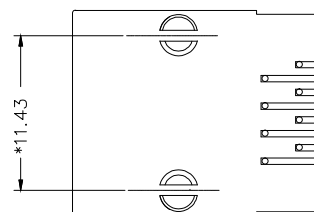
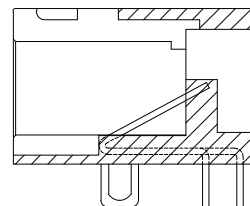
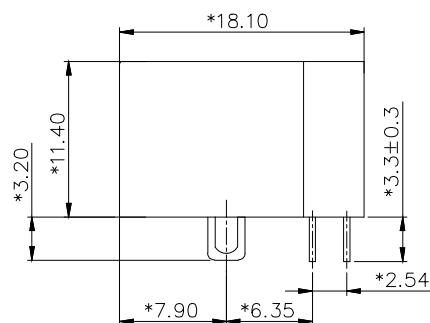
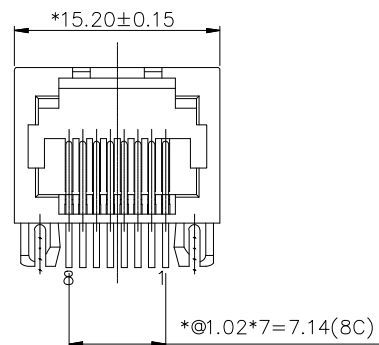
1. STORAGE : -40°C TO +85°C.
 2. OPERATION: -40°C TO 85°C.
- MATES WITH MODULAR PLUG CONFORMING TO FCC PART 68, SUBPART F.

Order Code:

A-MJH-8-EA-xTP-W4

G= Au-flash
P= Au15 μ "
H= Au30 μ "

①



PCB Thickness=1.60mm
PC Board Layout Component Side Shown

RoHS compliant

Unit:mm

Scale Free

TOLERANCE

X.X ±0.20

X.XX ±0.15

X.XXX ±0.10

DIM TOL

X.° ±5°

Angle TOL

① Correct the description of plating

Update PN

04.08.2021

Luca

② Drawn

02.06.2021

Luca

Id.

Modification

Date

Name

Date

Name

Description: Modular Connector
RJ45 / Side entry / Female/CAT3

ASSMANN WSW-No.

A-MJH-8-EA-xTP-W4

Drawing-No.

ASS 8953 CO

rev01

Customer-No.

SHEET
1 / 1

ASSMANN
WSW components

1

2

3

4

5

6

7

SV5071