

1

2

3

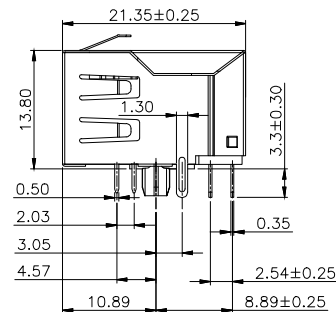
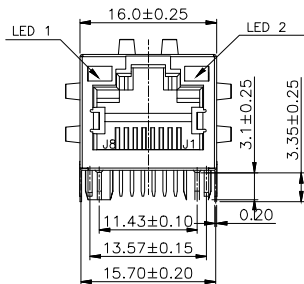
4

5

6

7

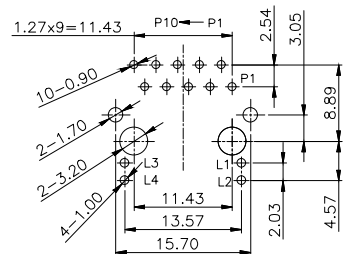
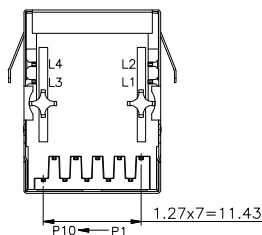
A



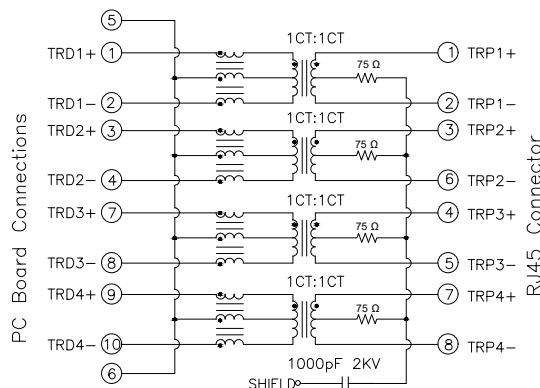
B

C

D



PCB Layout



NOTES:

MATERIAL

- 1.1 Housing Material : PA10T,UL94V-0,BK
- 1.2 Contact Material : Phosphor bronze,t=0.30mm
- 1.3 Contact Plating: See order code
- 1.4 Insert Material: PA10T,UL94V-0,BK
- 1.5 Shield Material: Brass,t=0.2mm

ELECTRICAL

- 2.1 Inductance at 100KHz,100mV 8mADC Bias:350uH Min
- 2.2 Leakage inductance 0.4uH Max. at 100KHz 100mV
- 2.3 Insertion Loss: 1.1dB Max. at 1-100MHz
- 2.4 Return Loss:18dB Min. at 1-30MHz
16dB Min. at 30-60MHz
12dB Min. at 60-80MHz
- 2.5 Cross Talk:30dB Min. at 1-100MHz
- 2.6 Common Mode Rejection: 30dB Min. at 1-100MHz
- 2.7 Isolation Voltage at 60Hz: 1500Vrms(Input to Output) 60 seconds

ENVIRONMENTAL

- 3.1 Operation Temperature: 0°C to +70°C
- 3.2 Storage Temperature: -40°C to +85°C
- 3.3 Operating Life: 750 cycles Min.

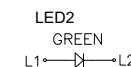
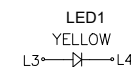
Packing: Tray

Mates with modular plug conforming to TIA-1096-A.

Order code:

A-MJT-8-EA-xTP-SGY1

- K: Gold flash /Sn
- P: Gold 15u" /Sn
- H: Gold 30u" /Sn
- L: Gold 50u" /Sn



E

F

G

H

RoHS compliant

Unit:mm

Scale Free

TOLERANCE

X.X ±0.38

X.XX ±0.25

X.XXX ±0.13

DIM TOL

X.° ±1.5°

Angle TOL

Id.

Modification

Date

Name

Date

Name

Description:

Modular jacks

ASSMANN WSW-No.

A-MJT-8-EA-xTP-SGY1
A-MJT-8-EA-xTP-SCG3

Drawing-No.

ASS 8941 CO

rev00

Customer-No.

SHEET
1 / 2



1

2

3

4

5

6

7

1

2

3

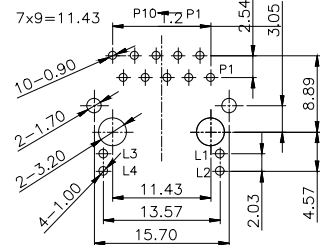
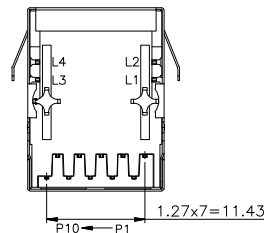
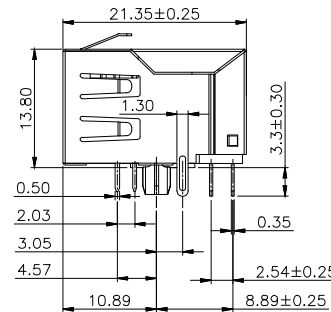
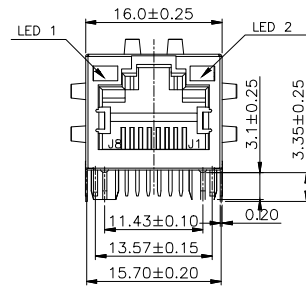
4

5

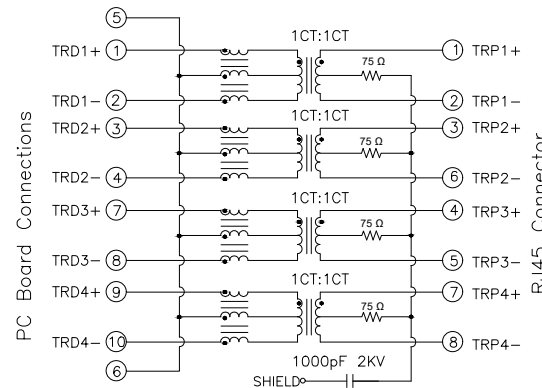
6

7

A



PCB Layout



NOTES:

MATERIAL

- 1.1 Housing Material : PA10T,UL94V-0,BK
- 1.2 Contact Material : Phosphor bronze,t=0.30mm
- 1.3 Contact Plating: See order code
- 1.4 Insert Material: PA10T,UL94V-0,BK
- 1.5 Shield Material: Brass,t=0.2mm

ELECTRICAL

- 2.1 Inductance at 100KHz,100mV 8mADC Bias:350uH Min
- 2.2 Leakage inductance 0.4uH Max. at 100KHz 100mV
- 2.3 Insertion Loss: 1.1dB Max. at 1-100MHz
- 2.4 Return Loss:18dB Min. at 1-30MHz
16dB Min. at 30-60MHz
12dB Min. at 60-80MHz
- 2.5 Cross Talk:30dB Min. at 1-100MHz
- 2.6 Common Mode Rejection: 30dB Min. at 1-100MHz
- 2.7 Isolation Voltage at 60Hz: 1500Vrms(Input to Output) 60 seconds

ENVIRONMENTAL

- 3.1 Operation Temperature: 0°C to +70°C
- 3.2 Storage Temperature: -40°C to +85°C
- 3.3 Operating Life: 750 cycles Min.

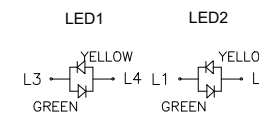
Packing: Tray

Mates with modular plug conforming to TIA-1096-A.

Order code:

A-MJT-8-EA-xTP-SCG3

- K: Gold flash /Sn
- P: Gold 15u" /Sn
- H: Gold 30u" /Sn
- L: Gold 50u" /Sn



B

C

D

E

F

G

H

A

B

C

D

E

F

G

H

RoHS compliant

Unit:mm

Scale Free

TOLERANCE

X.X ±0.38

X.XX ±0.25

X.XXX ±0.13

DIM TOL

X.° ±1.5°

Angle TOL

ⓐ

Drawn

24.05.2021

Daniel

Id.

Modification

Date

Name

Date

Name

Description:

Modular jacks

ASSMANN WSW-No.

A-MJT-8-EA-xTP-SGY1
A-MJT-8-EA-xTP-SCG3

Drawing-No.

ASS 8941 CO

rev00

Customer-No.

SHEET
2 / 2



1

2

3

4

5

6

7