

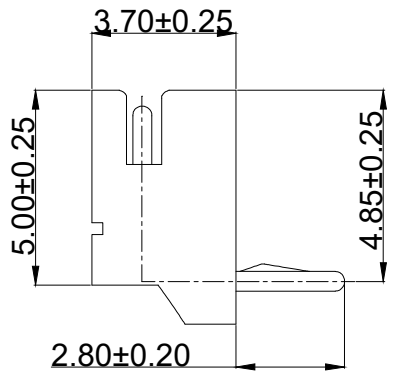
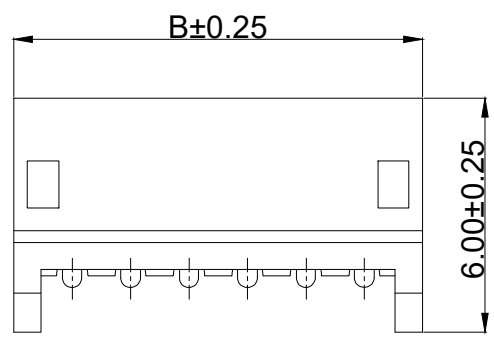
NOTE:
 Voltage Rating: 100V AC/DC
 Current Rating: 1A AC/DC
 Withstanding Voltage: 500V AC/minute
 Insulation Resistance: 500MΩ Min
 Temperature Range: -40°C to +105°C

Contact Material: Brass
 Contact Plating: Tin over Nickel
 ① Insulator: Nylon 66, UL94V-0, Beige;
 Mating with A-WBH-G001EG-xxCB01 Series Housing

Order Code:
 A-WBP-G001EA-xxTB01

Pin Count

PART NO.	Dimensions	
	A	B
A-WBP-G001EA-02TB01	1.50	4.50
A-WBP-G001EA-03TB01	3.00	6.00
A-WBP-G001EA-04TB01	4.50	7.50
A-WBP-G001EA-05TB01	6.00	9.00
A-WBP-G001EA-06TB01	7.50	10.50
A-WBP-G001EA-07TB01	9.00	12.00
A-WBP-G001EA-08TB01	10.50	13.50
A-WBP-G001EA-09TB01	12.00	15.00
A-WBP-G001EA-10TB01	13.50	16.50
A-WBP-G001EA-11TB01	15.00	18.00
A-WBP-G001EA-12TB01	16.50	19.50
A-WBP-G001EA-13TB01	18.00	21.00
A-WBP-G001EA-15TB01	21.00	24.00



RoHS compliant

Unit:mm

Scale	Free
TOLERANCE	
.X	±0.25
.XX	±0.20
.XXX	±0.15
DIM	TOL
Angle	TOL

①	Update	23.05.2022	Segal
②	Drawn	25.03.2021	Luca
Id.	Modification	Date	Name



Description: Wire to Board Connector
 Wafer / 90° / THT / 1.50mm

ASSMANN WSW-No.
A-WBP-G001EA-xxTB01

Drawing-No.
ASS 8883 CO rev01

Customer-No. SHEET 1 / 6

1

2

3

4

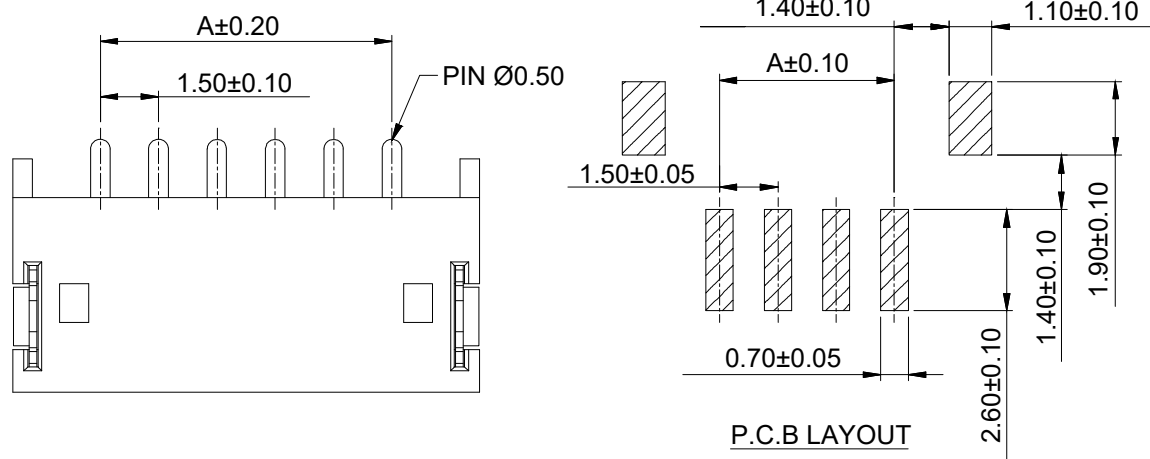
5

6

7

A

A



NOTE:

Voltage Rating: 100V AC/DC
 Current Rating: 1A AC/DC
 Withstanding Voltage: 500V AC/minute
 Insulation Resistance: 500MΩ Min
 Temperature Range: -40°C to +105°C

Contact Material: Brass
 Contact Plating: Tin over Nickel
 ① Insulator: Nylon 6T, UL94V-0, Beige;
 Mating with A-WBH-G001EG-xxCB01 Series Housing

Order Code:
 A-WBP-G001EA-xxSR01

Pin Count

B

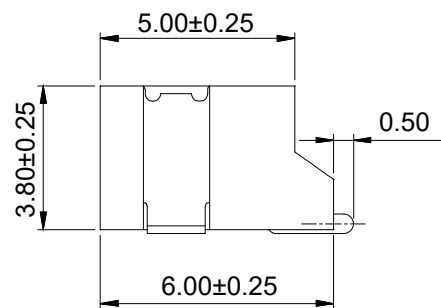
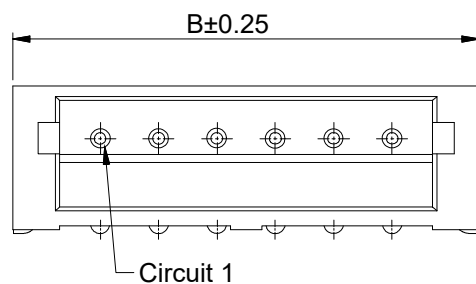
B

C

C

D

D



E

E

F

F

PART NO.	Dimensions	
	A	B
A-WBP-G001EA-02SR01	1.50	6.00
A-WBP-G001EA-03SR01	3.00	7.50
A-WBP-G001EA-04SR01	4.50	9.00
A-WBP-G001EA-05SR01	6.00	10.50
A-WBP-G001EA-06SR01	7.50	12.00
A-WBP-G001EA-07SR01	9.00	13.50
A-WBP-G001EA-08SR01	10.50	15.00
A-WBP-G001EA-09SR01	12.00	16.50
A-WBP-G001EA-10SR01	13.50	18.00
A-WBP-G001EA-11SR01	15.00	19.50
A-WBP-G001EA-12SR01	16.50	21.00
A-WBP-G001EA-13SR01	18.00	22.50

G

G

RoHS compliant

Unit:mm

Scale	Free
-------	------

TOLERANCE	
-----------	--

.X	±0.25
----	-------

.XX	±0.20
-----	-------

.XXX	±0.15
------	-------

DIM	TOL
-----	-----

--	--

Angle	TOL
-------	-----

①	Update	23.05.2022	Segal
②	Drawn	25.03.2021	Luca
Id.	Modification	Date	Name

Date	Name
Drawn 25.03.2021	Luca
Approved 23.05.2022	Segal

ASSMANN
WSW components

Description: Wire to Board Connector
 Wafer / 90° / SMT / 1.50mm

ASSMANN WSW-No.

A-WBP-G001EA-xxSR01

Drawing-No.

ASS 8883 CO

rev01

Customer-No.

SHEET
2 / 6

H

H

1

2

3

4

5

6

7

1

2

3

4

5

6

7

A

A

NOTE:

Voltage Rating: 100V AC/DC
 Current Rating: 1A AC/DC
 Withstanding Voltage: 500V AC/minute
 Insulation Resistance: 500MΩ Min
 Temperature Range: -40°C to +105°C

B

C

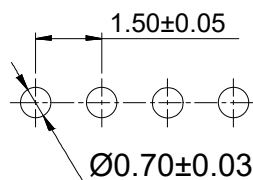
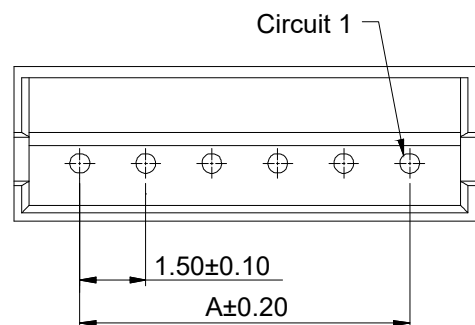
D

E

F

G

H



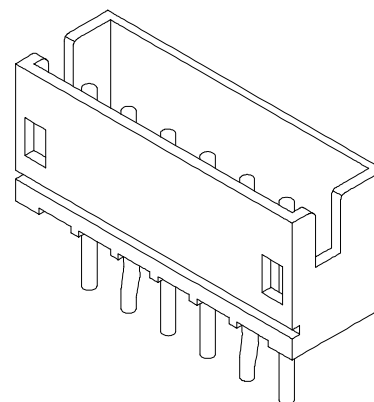
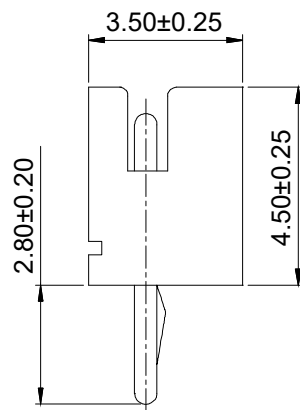
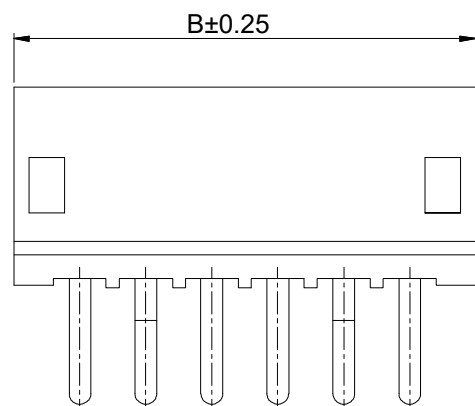
P.C.B LAYOUT

Contact Material: Brass
 Contact Plating: Tin over Nickel
 ① Insulator: Nylon 66, UL94V-0, Beige;
 Mating with A-WBH-G001EG-xxCB01 Series Housing

Order Code:

A-WBP-G001EG-xxTB01

Pin Count



PART NO.	Dimensions	
	A	B
A-WBP-G001EG-02TB01	1.50	4.50
A-WBP-G001EG-03TB01	3.00	6.00
A-WBP-G001EG-04TB01	4.50	7.50
A-WBP-G001EG-05TB01	6.00	9.00
A-WBP-G001EG-06TB01	7.50	10.50
A-WBP-G001EG-07TB01	9.00	12.00
A-WBP-G001EG-08TB01	10.50	13.50
A-WBP-G001EG-09TB01	12.00	15.00
A-WBP-G001EG-10TB01	13.50	16.50
A-WBP-G001EG-11TB01	15.00	18.00
A-WBP-G001EG-12TB01	16.50	19.50
A-WBP-G001EG-13TB01	18.00	21.00
A-WBP-G001EG-15TB01	21.00	24.00

G

G

RoHS compliant

Unit:mm

Scale	Free
TOLERANCE	
.X	±0.25
.XX	±0.20
.XXX	±0.15
DIM	TOL
Angle	TOL

①	Update	23.05.2022	Segal
②	Drawn	25.03.2021	Luca
Id.	Modification	Date	Name

ASSMANN
WSW components

Date	Name
25.03.2021	Luca
23.05.2022	Segal

Description: Wire to Board Connector Wafer / 180° / THT / 1.50mm	
ASSMANN WSW-No. A-WBP-G001EG-xxTB01	
Drawing-No. ASS 8883 CO	rev01
Customer-No.	SHEET 3 / 6

1

2

3

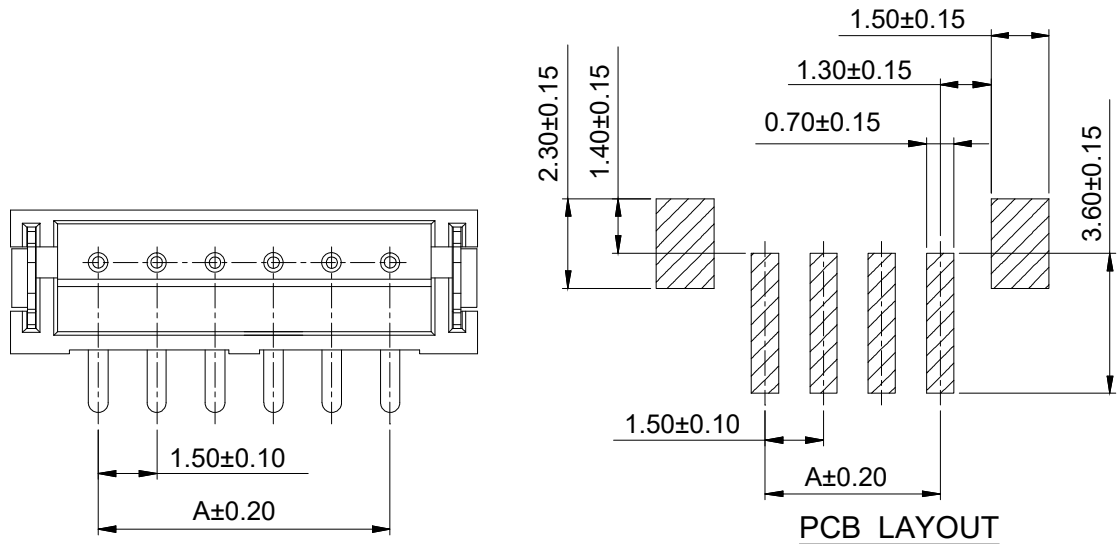
4

5

6

7

SV5053



NOTE:
 Voltage Rating: 100V AC/DC
 Current Rating: 1A AC/DC
 Withstanding Voltage: 500V AC/minute
 Insulation Resistance: 500MΩ Min
 Temperature Range: -40°C to +105°C
 Contact Material: Brass
 Contact Plating: Tin over Nickel
 ① Insulator: Nylon 6T, UL94V-0, Beige
 Packing: Tape&Reel
 Mating with A-WBH-G001EG-xxCB01 Series Housing

Order Code:
 A-WBP-G001EG-xxSR01

Pin Count

PART NO.	Dimensions	
	A	B
A-WBP-G001EG-02SR01	1.50	6.00
A-WBP-G001EG-03SR01	3.00	7.50
A-WBP-G001EG-04SR01	4.50	9.00
A-WBP-G001EG-05SR01	6.00	10.50
A-WBP-G001EG-06SR01	7.50	12.00
A-WBP-G001EG-07SR01	9.00	13.50
A-WBP-G001EG-08SR01	10.50	15.00
A-WBP-G001EG-09SR01	12.00	16.50
A-WBP-G001EG-10SR01	13.50	18.00
A-WBP-G001EG-11SR01	15.00	19.50
A-WBP-G001EG-12SR01	16.50	21.00
A-WBP-G001EG-13SR01	18.00	22.50

RoHS compliant
 Unit:mm

Scale	Free					Date	Name	
TOLERANCE						Drawn	25.03.2021	Luca
.X	±0.25					Approved	23.05.2022	Segal
.XX	±0.20							
.XXX	±0.15							
DIM	TOL	①	Update	23.05.2022	Segal			
		②	Drawn	25.03.2021	Luca			
Angle	TOL	Id.	Modification	Date	Name			

Description: Wire to Board Connector
 Wafer / 180° / SMT / 1.50mm

ASSMANN WSW-No.
A-WBP-G001EG-xxSR01

Drawing-No.
ASS 8883 CO rev01

Customer-No. SHEET 4 / 6

1

2

3

4

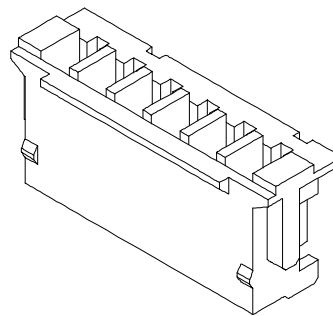
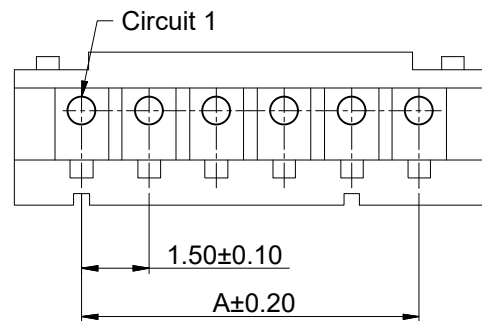
5

6

7

A

A



NOTE:

Voltage Rating: 100V AC/DC

Current Rating: 1A AC/DC

Withstanding Voltage: 500V AC/minute

Insulation Resistance: 500MΩ Min

Temperature Range: -40°C to +105°C

① Insulator: Nylon 66, UL94V-0, Beige
 Mating with A-WBP-G001Ex-xxxx01 Series Wafer
 and A-WBH-G001EG-01CR01 Terminal

B

C

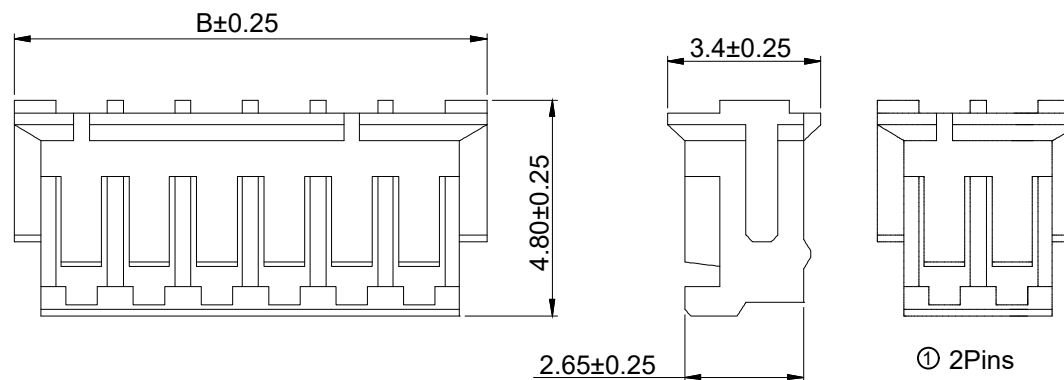
Order Code:

A-WBH-G001EG-xxCB01

Pin Count

D

D



PART NO.	Dimensions	
	A	B
A-WBH-G001EG-02CB01	1.50	4.50
A-WBH-G001EG-03CB01	3.00	6.00
A-WBH-G001EG-04CB01	4.50	7.50
A-WBH-G001EG-05CB01	6.00	9.00
A-WBH-G001EG-06CB01	7.50	10.50
A-WBH-G001EG-07CB01	9.00	12.00
A-WBH-G001EG-08CB01	10.50	13.50
A-WBH-G001EG-09CB01	12.00	15.00
A-WBH-G001EG-10CB01	13.50	16.50
A-WBH-G001EG-11CB01	15.00	18.00
A-WBH-G001EG-12CB01	16.50	19.50
A-WBH-G001EG-13CB01	18.00	21.00
A-WBH-G001EG-15CB01	21.00	24.00

E

E

F

F

G

G

RoHS compliant

Unit:mm

Scale Free

TOLERANCE

.X ±0.25

.XX ±0.20

.XXX ±0.15

DIM TOL

Angle TOL

Id.

Update

Drawn

Date

Name

Date

Name

Date

Name

Date

Name

Date

Name

Date

Name

Date

Name

Date

Name

Date

Name

Date

Name

Date

Name

1

2

3

4

5

6

7

A

B

C

D

E

F

G

H

A

B

C

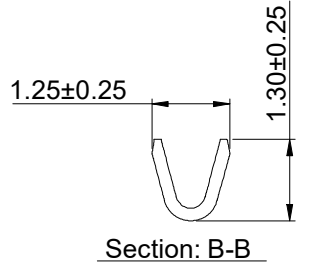
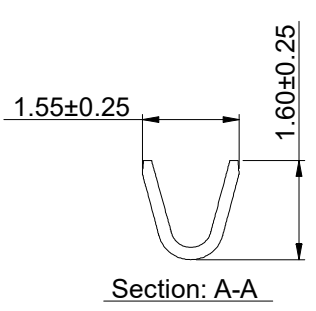
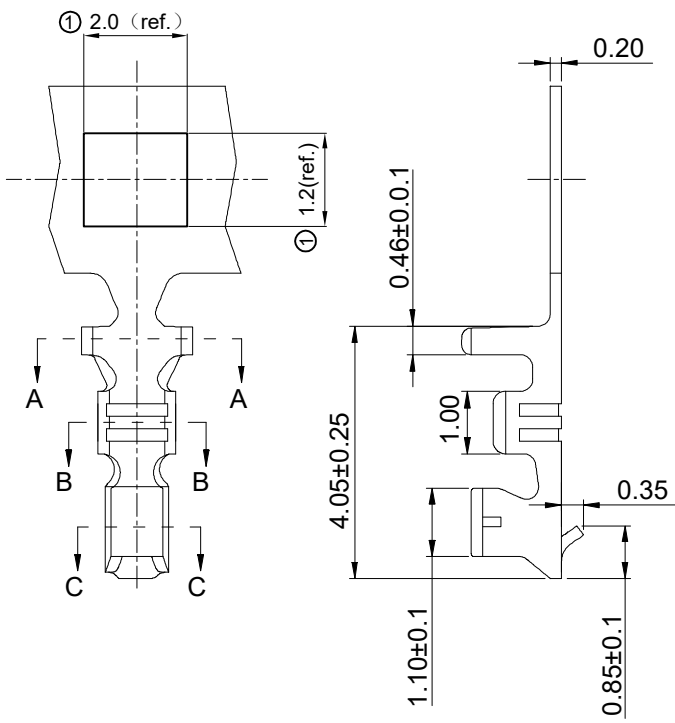
D

E

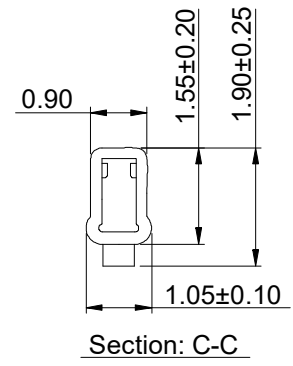
F

G

H



NOTE:
 Voltage Rating: 100V AC/DC
 Current Rating: 1A AC/DC
 Withstanding Voltage: 500V AC/minute
 Insulation Resistance: 500MΩ Min
 Temperature Range: -40°C to +105°C
 Contact Resistance: 20mΩ Max
 Material: Phosphor Bronze
 Plating: Tin over Nickel
 Applicable Wire: 26AWG to 32AWG
 Packing: 10.000pcs/Reel
 Used in A-WBH-G001EG-xxCB01 Series Housing



RoHS compliant
 Unit:mm

Scale	Free						Date	Name	Description: Wire to Board Connector Terminal / 180° / Crimp / 1.50mm
TOLERANCE						Drawn	25.03.2021	Luca	
.X	±0.25					Approved	23.05.2022	Segal	
.XX	±0.20								ASSMANN WSW-No.
.XXX	±0.15								A-WBT-G001EG-01CR01
DIM	TOL	①	Update	23.05.2022	Segal	ASSMANN WSW components			Drawing-No.
		②	Drawn	25.03.2021	Luca				ASS 8883 CO
Angle	TOL	ld.	Modification	Date	Name	Customer-No.			SHEET 6 / 6