

TEST CONDITION:
 1.100% OPEN , SHORT,MISWIR TEST
 2.VOLTAGE: 300V DC
 3.INSULATION RESISTANCE: 10MΩ/Min.
 4.CONTACT RESISTANCE: 5 Ω/Max.

Pin Assignment

P1		P2
1	Red	OPEN
2	White	OPEN
3	Green	OPEN
4	Black	OPEN
5	Blue	OPEN
6	Yellow	OPEN
7	Drain	OPEN
8	Orange	OPEN
9	Purple	OPEN
Shell	Braid	OPEN

WSW P/N	Length(mm)	PE BAG SIZE
A-USB30AM-OE-050BK24	500±20	150*200*0.05mm
A-USB30AM-OE-100BK24	1000±30	150*230*0.05mm
A-USB30AM-OE-200BK24	2000±50	150*230*0.05mm
A-USB30AM-OE-300BK24	3000±50	170*280*0.05mm
A-USB30AM-OE-500BK24	5000±50	170*280*0.05mm

△4	INNERMOLD	LLDPE WHITE	NA	KG
△3	OVERMOLD	PVC 60P Black	NA	KG
△2	CONN	USB3.0 A MALE BLUE PIN GOLD-PLATED G/F SHELL NI-PLATE	1	PCS
△1	CABLE	UL2725(Rev 3.0)(1P#30+D+AL+Mylar)*2C+1P#30+2C#24+AL+B OD:5.5mm BLACK	NA	MM
NO:	NAME	DESCRIPTION	Q'TY	UNIT

RoHS compliant
 Unit: mm

Scale	Free	Date	Name	Customer-No.			
TOLERANCE		Drawn	21.06.2019	Xavier			
		Approved	21.06.2019	Winnie			
DIM	TOL			ASSMANN WSW-No. A-USB30AM-OE-xxxBK24			
				Drawing-No. ASS 8561 CA	rev00		
Angle	TOL	Id.	Modification	Date	Name	Replace	Sheet
							1/2

1

2

3

4

5

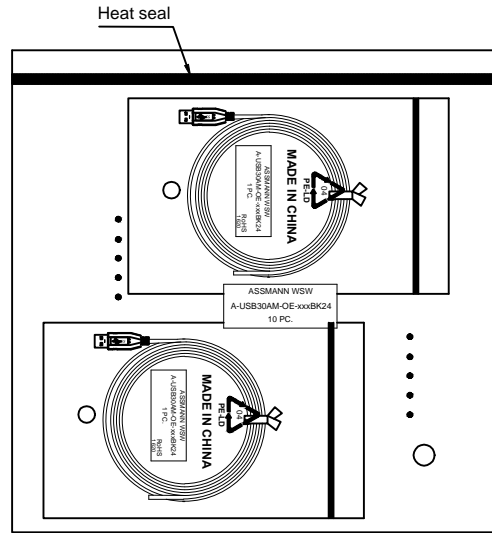
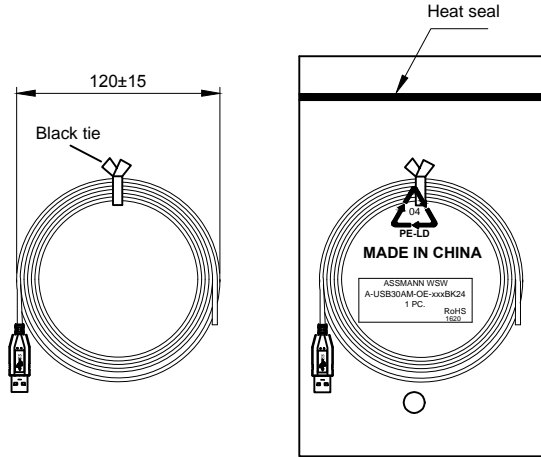
6

7

A

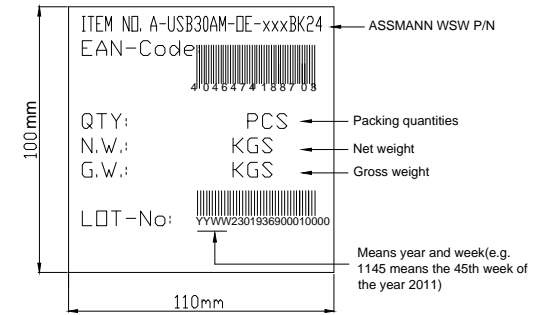
Packing information:

- 1).Wrapping 1pc cable, then tying.
- 2).Packing 1pcs finished goods into 1pcs small PE bag.
- 3).Packing 10pcs small PE bag into 1pcs middle PE bag.
- 4).Place 1pcs water-proof PE bag into carton and respectively 1pcs paperboard in bottom and top of carton.
- 5).Carton spec.: 40*30*25CM



10PCS/Middle PE bag
Post 1PCS label on middle PE bag

Code label posted onto carton side



Content of the label on small PE bag:

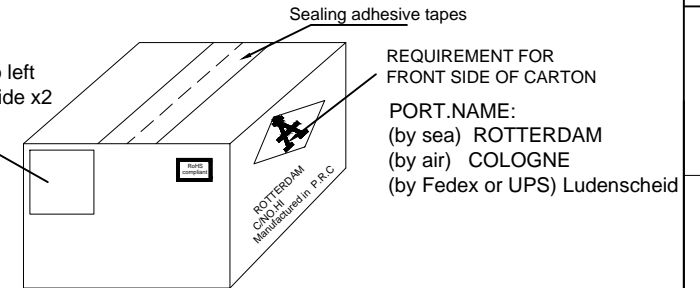
ASSMANN WSW	Consistent
A-USB30AM-OE-xxxBK24	ASSMANN WSW P/N
1 PC.	Consistent
RoHS 1620	Consistent

NOTES: e.g. 1620-16 means Year 2016, 20 means the 20th week of the year 2016

Content of the label on middle PE bag:

ASSMANN WSW	Consistent
A-USB30AM-OE-xxxBK24	ASSMANN WSW P/N
10 PC.	Consistent

Code label posted onto left front corner of carton side x2 (on both side)



RoHS compliant
Unit: mm

Scale	Free					Date	Name	Customer-No.
TOLERANCE						Drawn	21.06.2019	Xavier
						Approved	21.06.2019	Winnie
DIM	TOL							
		①	Drawn	21.06.2019	Xavier			
Angle	TOL	Id.	Modification	Date	Name			

ASSMANN WSW-No. A-USB30AM-OE-xxxBK24	
Drawing-No. ASS 8561 CA	rev00
Replace	Sheet 2/2

1

2

3

4

5

6

7