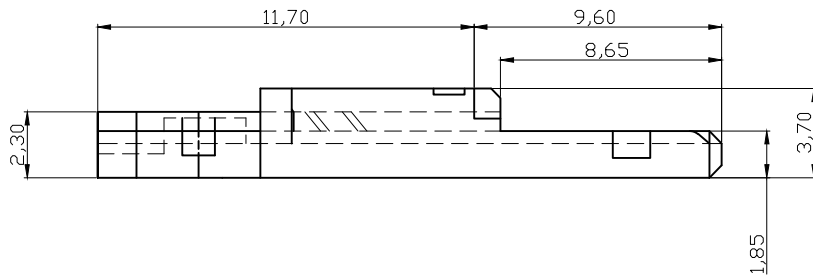
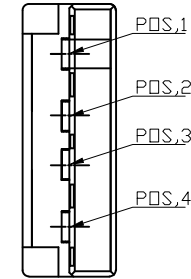
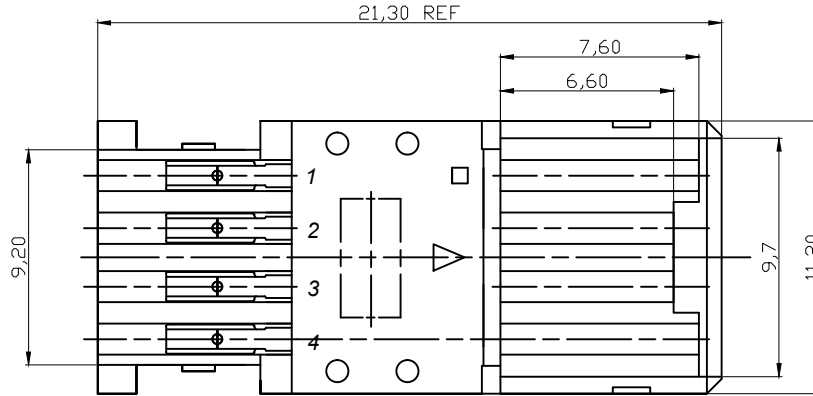
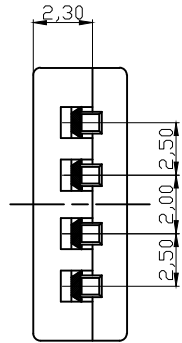


USB2.0 COMPLIANT



NOTE:


- 1. INSULATION: PBT WITH 30% GLASS FILLED, UL94V-0, WHITE
- 2. CONTACT: COPPER ALLOY
- 3. SUPPLEMENT:
 - 3.1 PN A-USBPA-BS and A-USBPA-TS are just for shell
 - 3.2 Below PN is for whole kit

A-USBPA-x

- Blank SELECTIVE GOLD 5u" on contact area
- 2 SELECTIVE GOLD 30u" on contact area
- N SELECTIVE GOLD FLASH on contact area

RoHS compliant

Unit:mm

Scale	Free					Date	Name	Customer-No.
TOLERANCE						Drawn	12.04.2019	Xavier
.XX	±0.10					Approved	12.04.2019	Winnie
.X	±0.20							
X.	±0.50							
XX.	±1							
DIM	TOL							
		©	Drawn	12.04.2019	Xavier			
Angle	TOL	Id.	Modification	Date	Name			

ASSMANN WSW-No.		A-USBPA-x
Drawing-No.		
ASS 8371 CO		rev00
Replace		Sheet 1 / 5



1

2

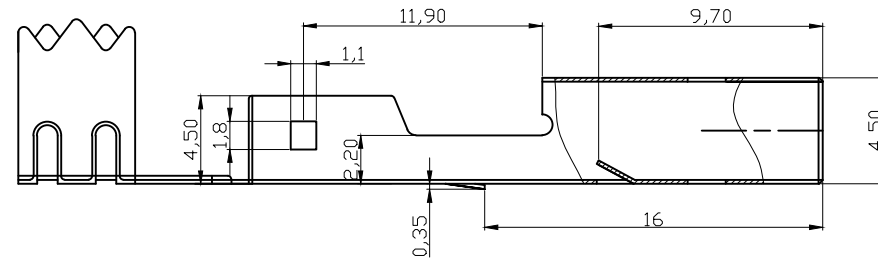
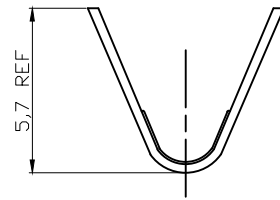
3

4

5

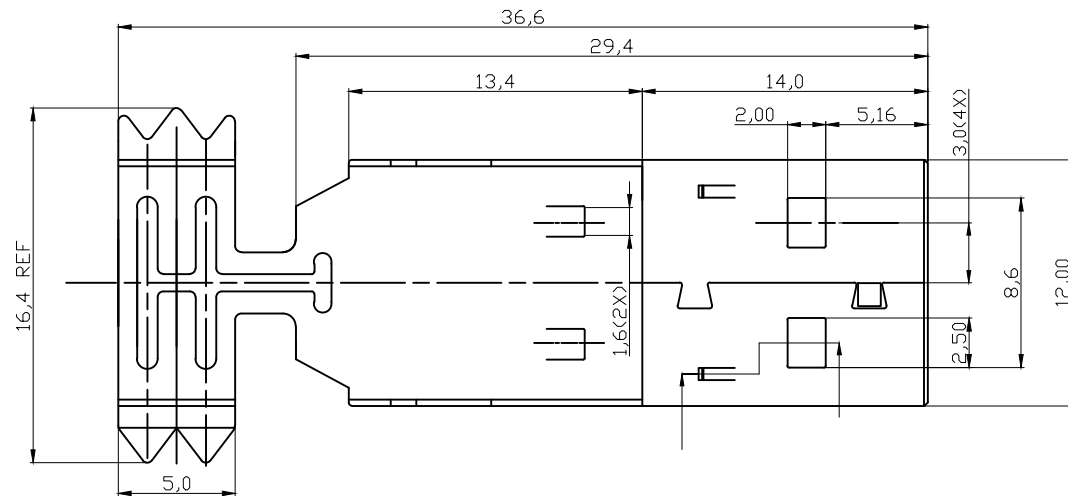
6

7

Bottom shell: A-USBPA-BS**SECTION A-A****NOTE:**

1. COLD ROLL STEEL. $t=0.35\text{mm}$
2. FINISHES: 3.0 μm -5.0 μm NICKEL OVER 5.0 μm Min. COPPER
3. APPLICATION CABLE SPEC:

AWG Signal wires Power wires	Jacket OD.	Cable length(max.)
28AWG x 1T.P. 28AWG x 2Cores	4.2mm	0.81m
28AWG x 1T.P. 26AWG x 2Cores	4.4mm	1.31m
28AWG x 1T.P. 24AWG x 2Cores	4.7mm	2.08m
28AWG x 1T.P. 22AWG x 2Cores	5.0mm	3.33m
28AWG x 1T.P. 20AWG x 2Cores	5.0mm	5.00m

**RoHS compliant**

Unit:mm

Scale	Free				Date	Name	Customer-No.	
TOLERANCE					Drawn	12.04.2019	Xavier	ASSMANN WSW-No. A-USBPA-x
.XX	±0.10				Approved	12.04.2019	Winnie	
.X	±0.20							
X.	±0.50							
XX.	±1						Drawing-No.	ASS 8371 CO rev00
DIM	TOL						Replace	
		Ⓢ	Drawn	12.04.2019	Xavier			Sheet 2 / 5
Angle	TOL	Id.	Modification	Date	Name			

1

2

3

4

5

6

7

1 2 3 4 5 6 7

A

B

C

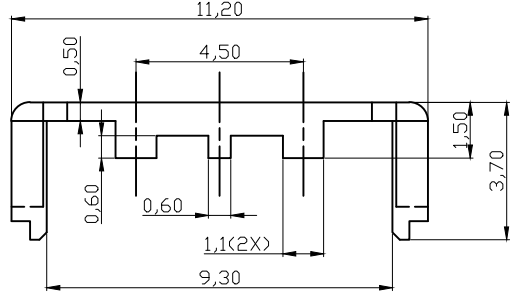
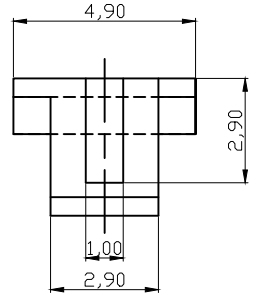
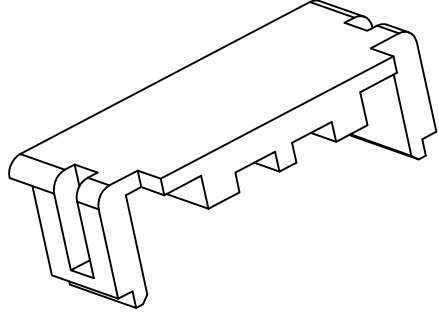
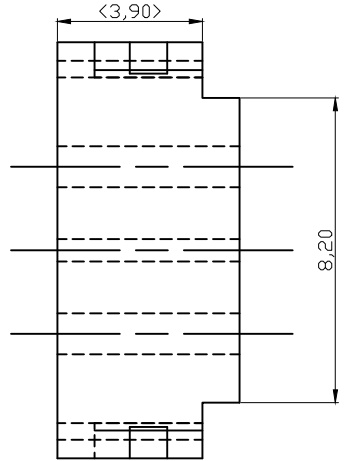
D

E

F


G

H



NOTE:
1. PBT WITH 30%GLASS FILLED,UL 90V-0 RATED

RoHS compliant
Unit:mm

Scale	Free					Date	Name	Customer-No.
TOLERANCE						Drawn	12.04.2019	Xavier
.XX	±0.10					Approved	12.04.2019	Winnie
.X	±0.20							
X.	±0.50							
XX.	±1							
DIM	TOL							
		Ⓢ	Drawn	12.04.2019	Xavier			
Angle	TOL	Id.	Modification	Date	Name	Replace		Sheet 3 / 5

1 2 3 4 5 6 7

1

2

3

4

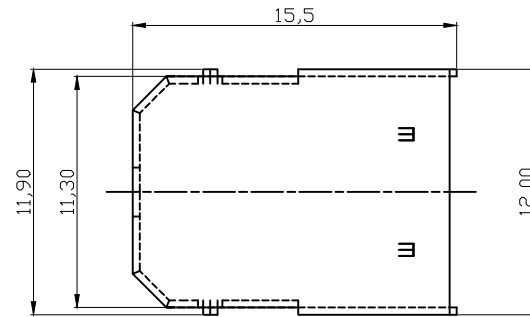
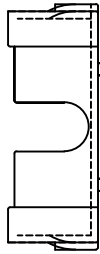
5

6

7

Top shell: A-USBPA-TS

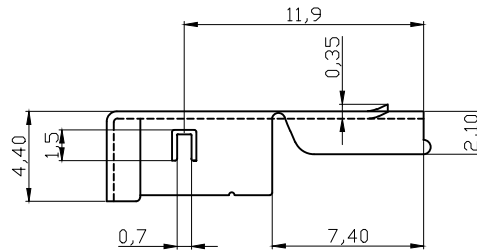
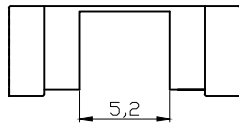
VIEW A



NOTE:

1. COLD ROLL STEEL. t=0.35mm

2. FINISHES: 3.0um-5.0um NICKEL OVER 5.0um Min.COPPER



RoHS compliant

Unit:mm

Scale	Free					Date	Name	Customer-No.
TOLERANCE						Drawn	12.04.2019	Xavier
.XX	±0.10					Approved	12.04.2019	Winnie
.X	±0.20							
X.	±0.50							
XX.	±1							
DIM	TOL							Drawing-No.
		Ⓢ	Drawn	12.04.2019	Xavier			ASS 8371 CO
Angle	TOL	Id.	Modification	Date	Name	Replace		Sheet 4 / 5

1

2

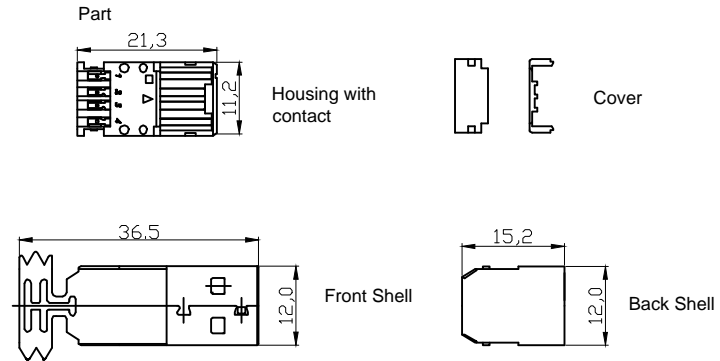
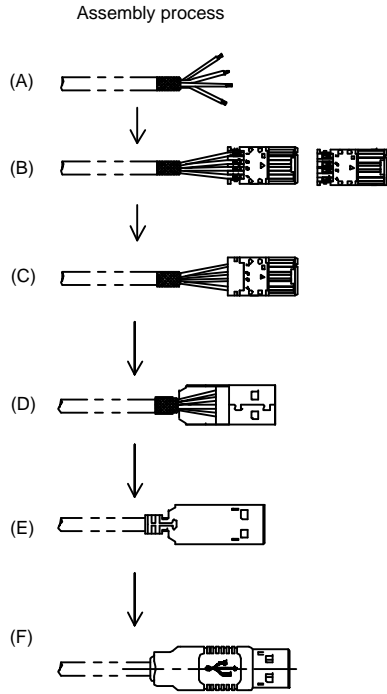
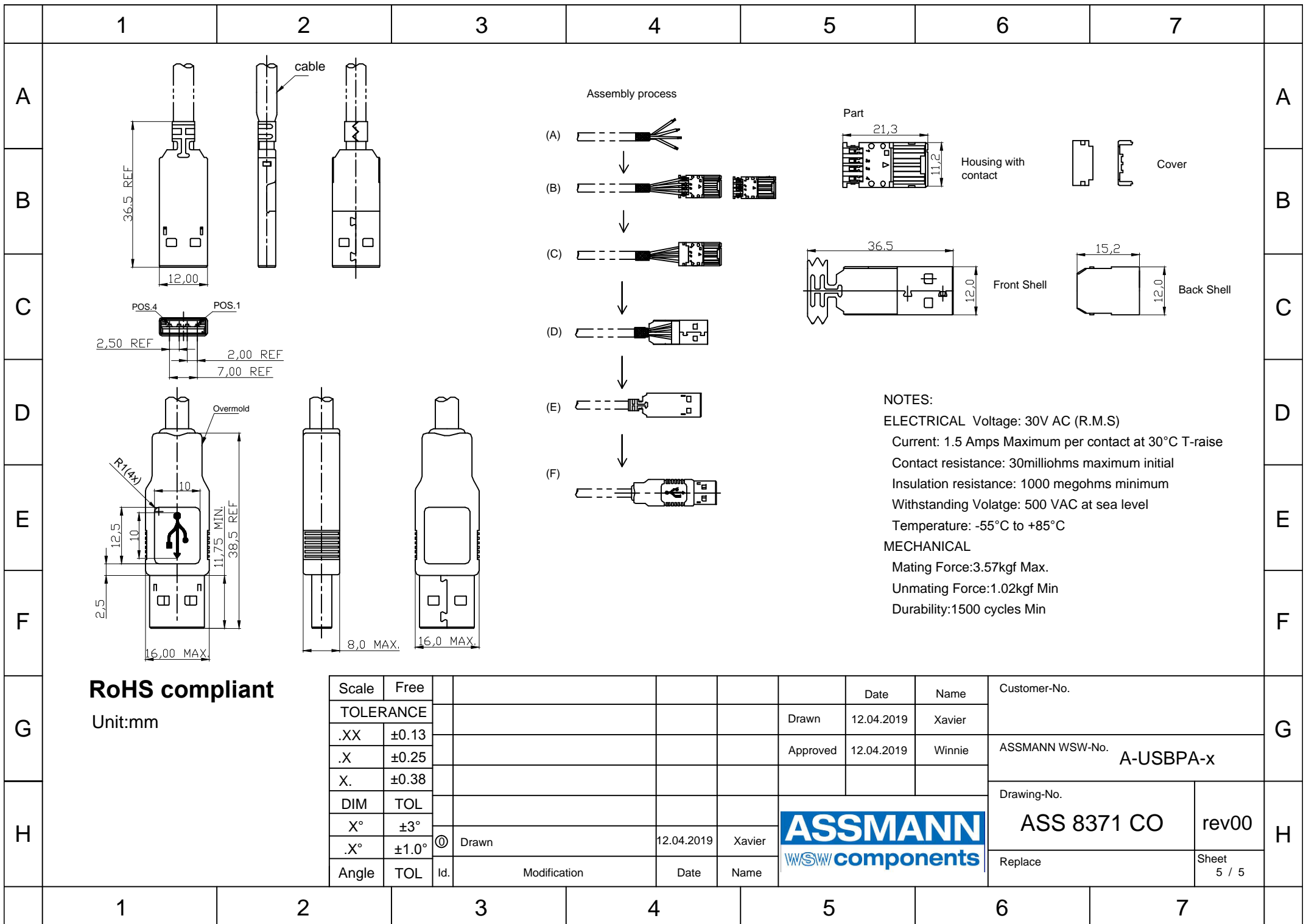
3

4

5

6

7



NOTES:

ELECTRICAL Voltage: 30V AC (R.M.S)
 Current: 1.5 Amps Maximum per contact at 30°C T-rise
 Contact resistance: 30milliohms maximum initial
 Insulation resistance: 1000 megohms minimum
 Withstanding Volatge: 500 VAC at sea level
 Temperature: -55°C to +85°C

MECHANICAL
 Mating Force:3.57kgf Max.
 Unmating Force:1.02kgf Min
 Durability:1500 cycles Min

RoHS compliant
 Unit:mm

Scale	Free						Date	Name	Customer-No.
TOLERANCE						Drawn	12.04.2019	Xavier	
.XX	±0.13					Approved	12.04.2019	Winnie	ASSMANN WSW-No. A-USBPA-x
.X	±0.25								
X.	±0.38								
DIM	TOL								Drawing-No. ASS 8371 CO rev00
X°	±3°								
.X°	±1.0°	Ⓢ	Drawn		12.04.2019	Xavier			
Angle	TOL	Id.	Modification		Date	Name	ASSMANN WSW components		Sheet 5 / 5