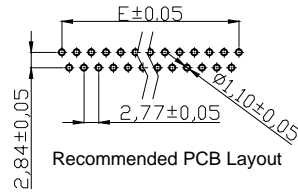
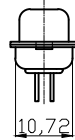
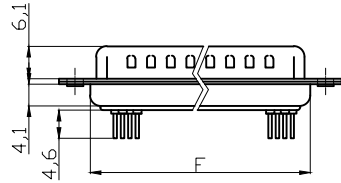
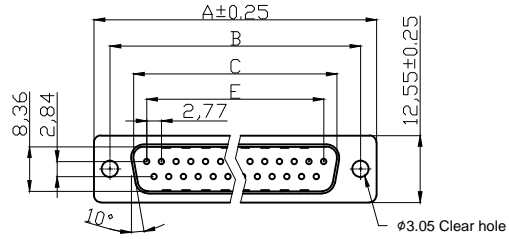


**Male**



**NOTES:**

**MATERIAL**

- 1. Insulator Material: Glass-filled thermoplastic PBT, UL94V-0, Black
- 2. Contact Material: Copper Alloy
- 3. Shell :Steel, 100 µ" Tin Over 50µ" min Copper
- 4. Clinch Nut :Brass, Nickel Plated
- 5. Contact plating : Gold flash full gold

**ELECTRICAL**

- 1. Current Rating : 3AMP
- 2. Voltage Rating : 250V AC/rms 60Hz
- 3. Contact Resistance: 20mΩ
- 4. Insulation Resistance: 1000MΩ min at 500 VDC
- 5. Withstand Voltage: 1000V AC/rms 60Hz for 1 minute

**ENVIRONMENTAL**

- ① 1. Temperature Range: -55°C~+105°C

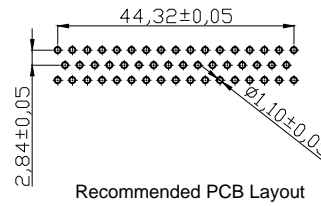
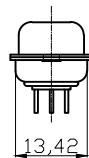
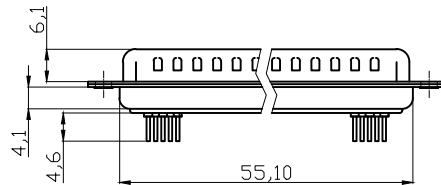
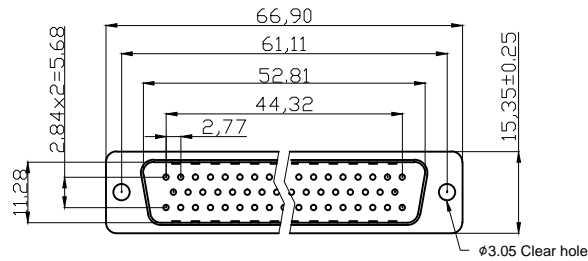
UL No. E198287

Order Code:

A-Dx xx PP/Z-BK

Contact style:  
F - Female  
S - Male

No. of Contacts  
09 / 15 / 25 / 37/ 50  
Standard: Quality class III



50 Positions

**Dimensions**

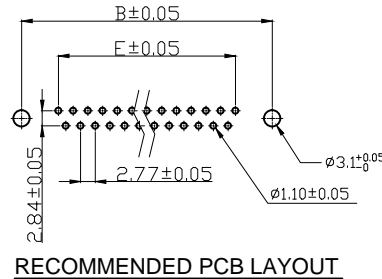
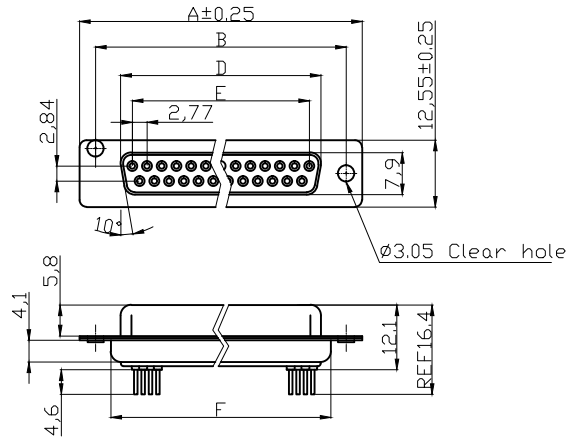
Positions	A	B	C	E	F
09	30.81	24.99	16.92	11.08	19.20
15	39.20	33.30	25.25	19.39	27.70
25	53.04	47.04	38.96	33.24	41.10
37	69.40	63.50	55.42	49.86	57.30

**RoHS compliant**

Unit:mm

G	Scale	Free					Date	Name	Customer-No.
	TOLERANCE						Drawn	18.10.2018	Xavier
H	X.	±0.38					Approved	18.10.2018	Winnie
	X.X	±0.25							
	X.XX	±0.13							
	DIM	TOL	①	Update temperature range	04.06.2019	Xavier			
	X.°	±3°	②	Drawn	18.10.2018	Xavier			
	X.X°	±1.0°					Drawing-No.		ASS 8237 CO
	Angle	TOL	Id.	Modification	Date	Name	Replace		Sheet 1/2

**Female**



**NOTES:**

**MATERIAL**

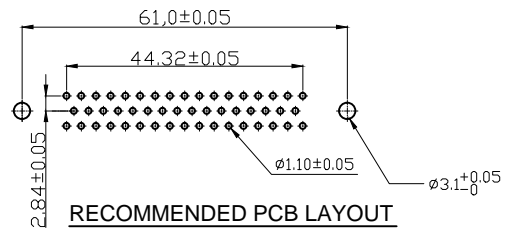
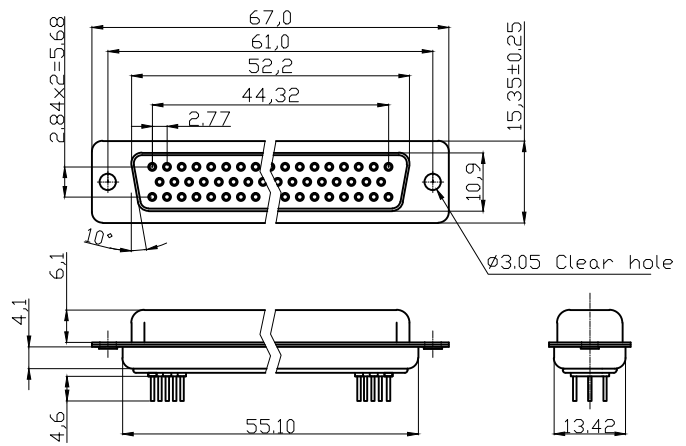
- 1. Insulator Material: Glass-filled thermoplastic PBT, UL94V-0, Black
- 2. Contact Material: Copper Alloy
- 3. Shell :Steel, 100 μ" Tin Over 50μ" min Copper
- 4. Clinch Nut :Brass, Nickel Plated
- 5. Contact plating : Gold flash full gold

**ELECTRICAL**

- 1. Current Rating : 3AMP
- 2. Voltage Rating : 250V AC/rms 60Hz
- 3. Contact Resistance: 20mΩ
- 4. Insulation Resistance: 1000MΩ min at 500 VDC
- 5. Withstand Voltage: 1000V AC/rms 60Hz for 1 minute

**ENVIRONMENTAL**

- ① 1. Temperature Range: -55°C~+105°C
- UL No. E198287



**Dimensions**

Positions	A±0.25	B±0.10	D±0.13	E±0.08	F±0.10
09	30.81	24.99	16.33	11.08	19.20
15	39.20	33.30	24.70	19.39	27.70
25	53.05	47.04	38.40	33.24	41.10
37	69.40	63.50	54.80	49.86	57.30

**50 POSITIONS**

**RoHS compliant**  
Unit:mm

Scale	Free
TOLERANCE	
X.	±0.38
X.X	±0.25
X.XX	±0.13
DIM	TOL
X.°	±3°
X.X°	±1.0°
Angle	TOL

				Date	Name	Customer-No.	
			Drawn	18.10.2018	Xavier		
			Approved	18.10.2018	Winnie	ASSMANN WSW-No.	
						<b>A-DX XX PP/Z-BK</b>	
						Drawing-No.	
			① Update temperature range	04.06.2019	Xavier	<b>ASS 8237 CO</b>	
			② Drawn	18.10.2018	Xavier		
			Id.	Modification	Date	Name	rev01
						Replace	Sheet 2/2

