

1

2

3

4

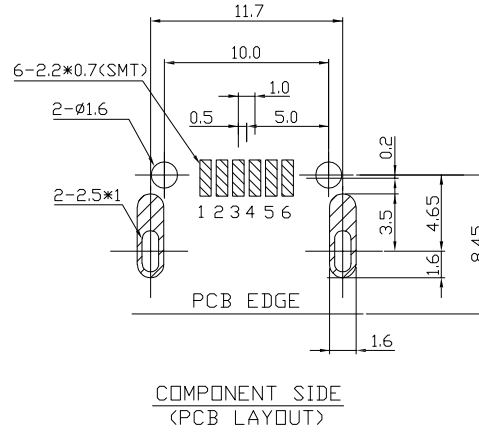
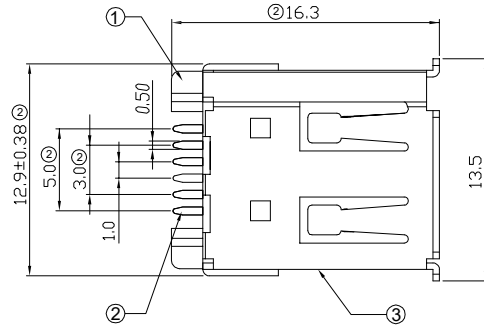
5

6

7

A

A



Notes:

Material:

- ② ● Item ① Housing: Nylon PA9T G.F. Black
- ② ● Item ② Pin Terminal: Brass t=0.25mm Contact  
Contact Area: Gold 30u" over Ni 40~60u"  
Solder Area: Tin 120u" over Ni 40~60u"
- ② ● Item ③ Shell: Brass t=0.4mm, 80~120u" Nickel Plated

Electrical:

- Current rating: 1.5A max.
- Voltage rating: 40V max.
- ② ● Dielectric Withstanding Voltage: 500V AC for 1 minute
- Contact Resistance: 30m ohms max.
- ② ● Insulation Resistance: 100M ohms Min

Mechanical:

- Durability: 1500 Cycles
- ① ● Unmating Force: 9.8 Newton To 39.2 Newton Maximum.

B

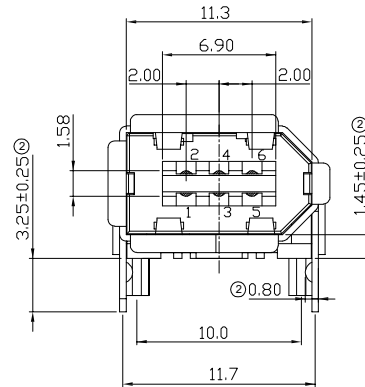
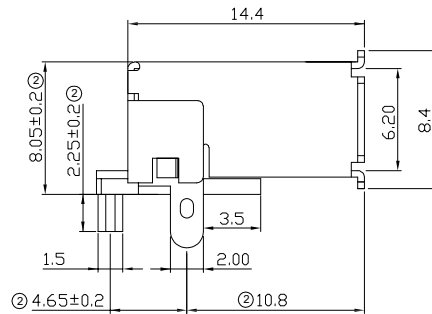
B

C

C

D

D



E

E

F

F

G

G

RoHS compliant  
unit:mm

Scale	Free
TOLERANCE	
X.	±0.38
X.X	±0.25
X.XX	±0.15
DIM	TOL
X°	±3°
.X	±1°
Angle	TOL

②	Update the dimension and notes	13.05.2022	Peter
①	Update the Notes	20.06.2018	Xavier
①	Drawn	20.06.2018	Xavier
Id.	Modification	Date	Name



Drawn	Date	Name
Approved	Date	Name

Description. IEEE 1394 Connector Female 90° Angle SMT	
ASSMANN WSW-No. <b>A-IES-SMT</b>	
Drawing-No.	rev02
Customer-No.	Sheet 1/1

H

H

1

2

3

4

5

6

7