

1

2

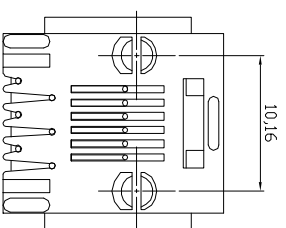
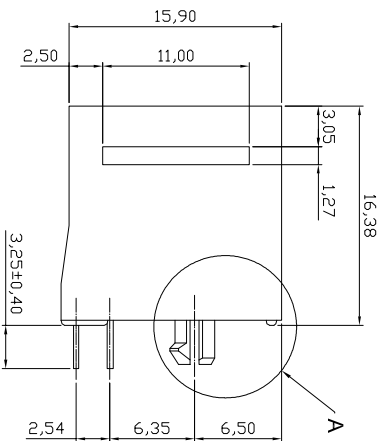
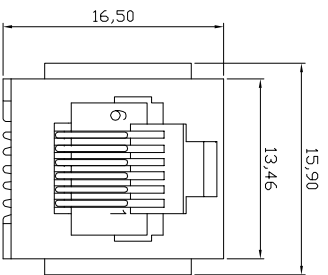
3

4

5

6

7



Specification:

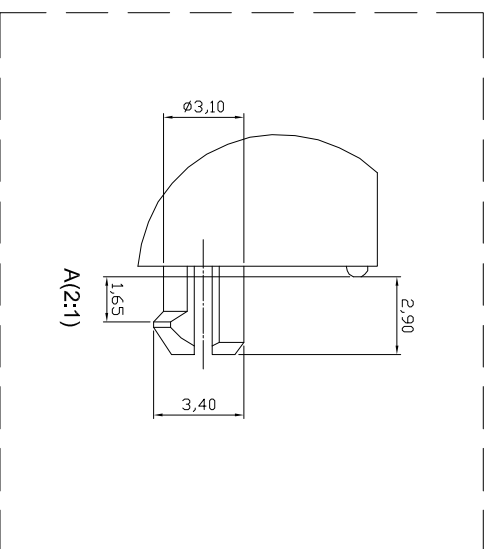
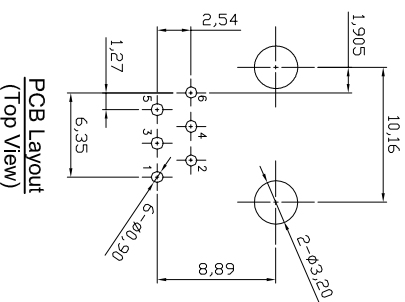
1. Electrical Char

Insulation Resistance: 500MΩ min. 500V DC for 1 minute
 Contact Resistance: 20mΩ max.
 Rating Current: 1.5A max.
 Rating Voltage: 120V AC
 Dielectric Voltage: 1000 Vrms at 1MA 60 sec. min.

2. Physical Char

Housing: PBT Glass filled (UL 94V-0) Color: Black
 Soldering Temperature: 235°C for 5 sec.
 Spring Wire: 0.45mm Dia Phosphor Bronze
 6u" Gold plating over Nickel
 Temperature Range: -40°C to +85°C
 Durability: 500 mating cycles min.

3. Packing: Tray



RoHS compliant
 Unit:mm

Scale	Free
TOLERANCE	
.XX	±0.20
.XXX	±0.13
.XXXX	±0.05
DIM	TOL
Angle	+0°30'

Free	Id.	Modification	Date	Name
	①	Drawn	28.10.2015	Amy

Date	Name
28.10.2015	Amy
28.10.2015	Amy

Customer-No.	Drawing-No.	Replace
ASSMANN WSW-No.	A-2014-1-4-R	ASS 7042 CO
		rev00

ASSMANN
 WSW components

SHEET

1

2

3

4

5

6

7

H

G

F

E

D

C

B

A