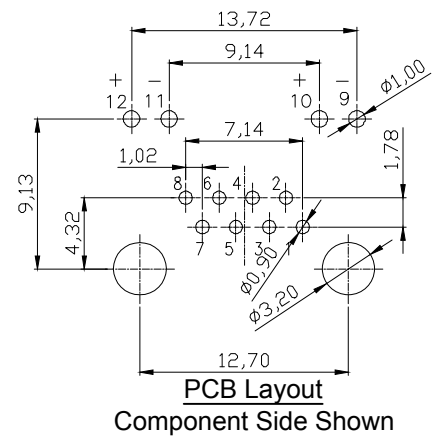
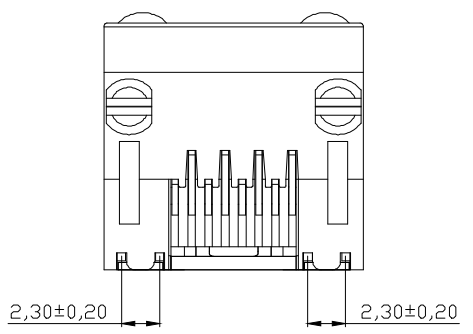
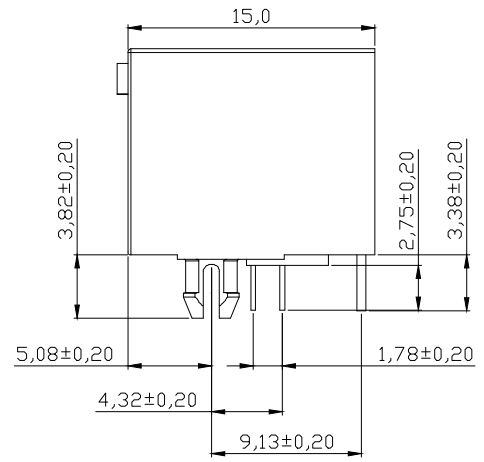
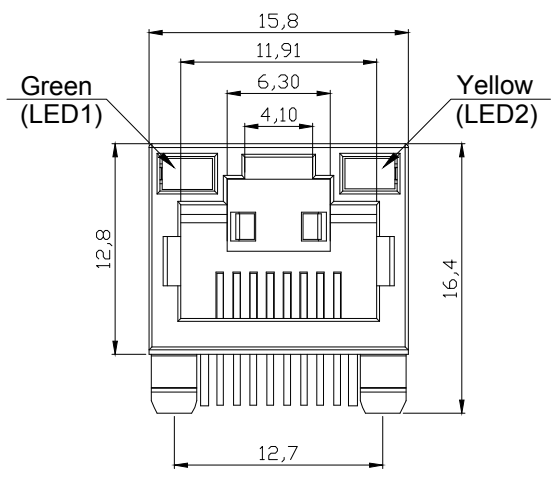


A
B
C
D
E
F
G
H



Notes:

Electrical:

1. Voltage Rating: 125VAC
2. Current Rating: 1.5AMP
3. Contact Resistance: 30mΩ max.
4. Insulation Resistance: 1000MΩ min.
5. Dielectric Strength: 1000 VAC 60Hz 1 minute
6. LED Ratings: Forward Voltage: 2.2 V typical
Reverse Voltage: 5 V max.
7. Operating: 1500 cycles min.

Mechanical:

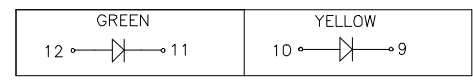
1. Housing Material: High Temp. UL94V-0 BLack
2. Contact Material: Phosphor Bronze t=0.30mm
3. Back Plate Material: Glass Filled Polyester UL94V-0 Black
4. LED Size: 7x3.05x1.85, P=2.54mm
5. Plating: 50u" selective Gold over Nickel
6. PCB Retention Pre-solder: 1 LB min.
7. PCB Retention Post-solder: 10 LBS min.

Environmental:

1. Storage: -40° to +85°C
2. Operation: -40° to +85°C
3. Wave Soldering Temperature: 255 ~ 265°C (5-10 seconds)

Mates with Modular Plug Conforming to TIA-1096-A

Packing: Tray



RoHS compliant
Unit: mm

Scale	Free					Date	Name	Customer-No.
TOLERANCE						Drawn	08.05.2015	Amy
X.X	±0.20					Approved	14.04.2021	Daniel
X.XX	±0.15							ASSMANN WSW-No.
X.XXX	±0.10	②	Change the PN	14.04.2021	Daniel			② A-MJH-8-EA-LTP-WGY1
DIM	TOL	①	Update to single port version	20.05.2015	Amy			
Angle	± 5°	①	Drawn	08.05.2015	Amy			
Angle	TOL	Id.	Modification	Date	Name			

Drawing-No.		ASS 6830 CO	rev02
Replace			