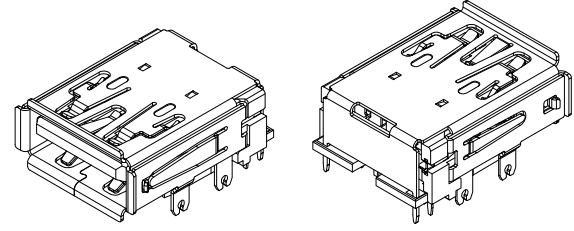
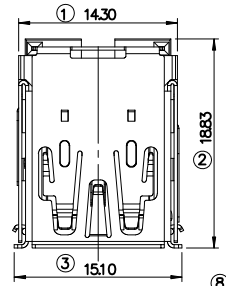


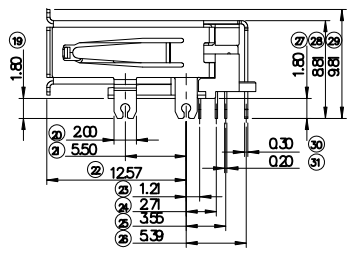
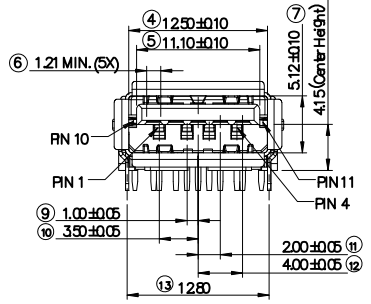
A  
B  
C  
D  
E  
F  
G  
H

A  
B  
C  
D  
E  
F  
G  
H



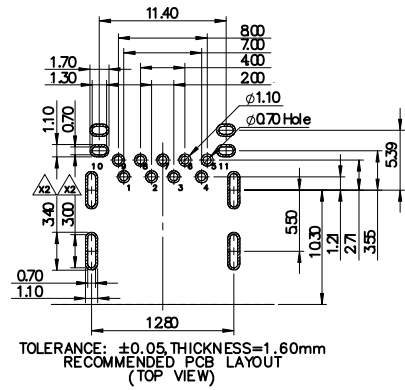
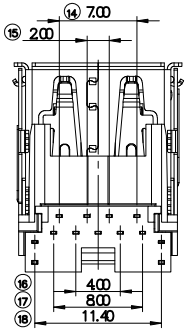
**Specification:**  
 ① 1.Material:  
 1.1> Insulation: PA9T, UL94V-0 Blue  
 1.2> USB 2.0 Contact(1~4pin):Phosphor Bronze (C5191 )  
 1.3> USB 3.0 Contact (5~9pin):Brass (C2680)  
 1.4> Contact area: 30u"Pd-Ni+2u"gold  
 1.5> Solder tails area: 100u"200u"Tin(Matte)

2.Electrical:  
 2.1> Insulation Resistance:100M Ω Min. @ 100 V DAC  
 2.2> Contact Resistance: 30 mΩ(Max) initial for Vbus and GND contacts.  
 50 mΩ(Max) initial for all other contacts.  
 ① 2.3> Operating Voltage: 5VAC Max  
 2.4> Current Rating:1.8Amp(Max)shall be applied to Vbus pin and its corresponding GND pin.  
 0.25 Amp(Min) shall be applied to all the other contacts.



① 3.Mechanical  
 3.1> Mating Cycle: 5,000 cycles min.  
 3.2> Total Insertion Force: 35 N maximum at a maximum rate of 12.5 mm(0.492") per minute  
 3.3> Total Withdrawal Force:10 N min initial and 8 N min after the specified insertion/extraction, or durability cycles (at a maximum rate of 12.5mm (0.492") per minute).  
 3.4> Resistance to Soldering Heat: profile of peak temperature at 260 °C for 10sec above, and Time above liquid (>217 °C) for more than 60 sec.  
 3.5> Temperature Range: -25°C to +105°C

4.Packing Style: TRAY



Pin Assignments

Pin Number	Signal Name
1	VBUS
2	D-
3	D+
4	GND
5	StdA_SSRX-
6	StdA_SSRX+
7	GND_DRAIN
8	StdA_SSTX-
9	StdA_SSTX+
10	PD_DETECT
11	INSERTION_DETECT

**RoHS compliant**  
Unit: mm

Scale	Free				Date	Name	Customer-No.
TOLERANCE				Drawn	11.03.2015	Winnie	ASSMANN WSW-No. <b>AUSB1-AFN-BTP1</b>
X.	±0.50			Approved	16.06.2017	Fred	
X.X	±0.30						
X.XX	±0.20						
DIM	TOL	① 1.Add the Mechanical and voltage rating 2.Update Material	16.06.2017	Fred			Drawing-No.
X.°	±5°	② Drawn	11.03.2015	Winnie			<b>ASS 6770 CO</b>
Angle	TOL	Id.	Modification	Date	Name	Replace	Sheet