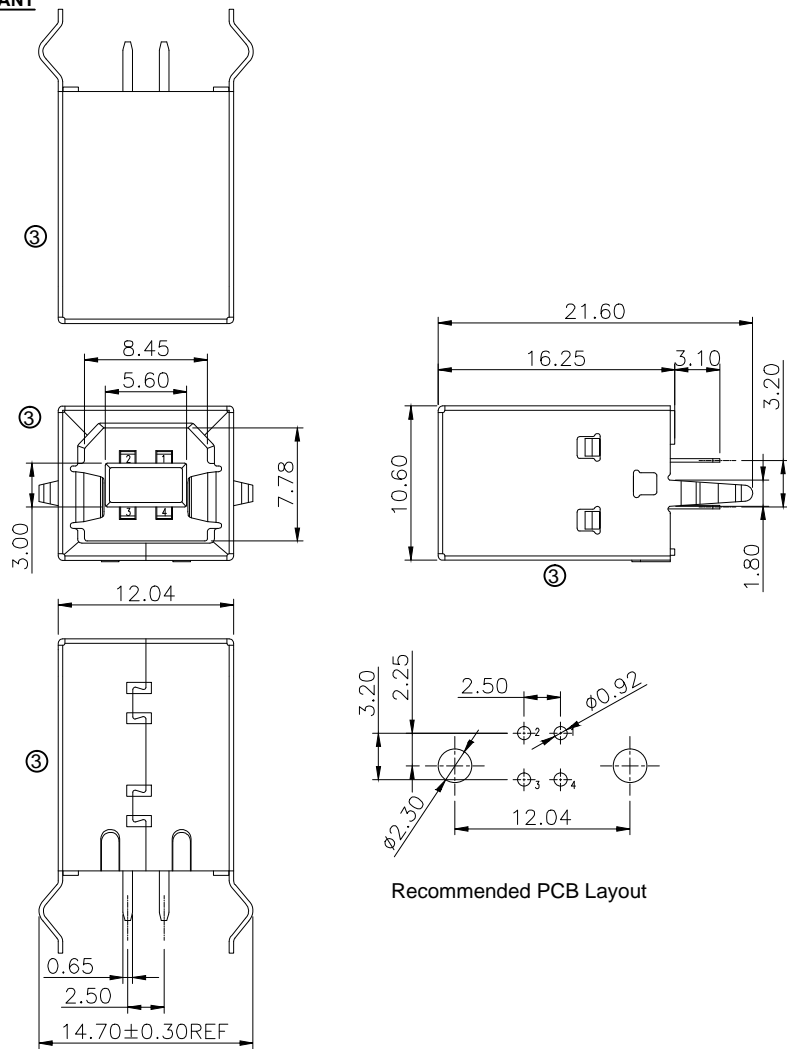


② **USB2.0 COMPLIANT**



③ **NOTES:**

Material

- 1. Contacts: Phosphor Bronze
- 2. Insulator/Cover: PBT+30%GF UL94V-0 Color: see ordercode
- 3. Shell: C2680

Mechanical

- 1. Mating Force: 35N max
- 2. Withdrawal Force: 10N min
- 3. Durability: 1500 cycles min

Electrical

- 1. Current: 1.5A max
- 2. Voltage: 30V max
- 3. Withstanding Voltage: 500V AC
- 4. Contact Resistance: 30mΩ max
- 5. Insulation Resistance: 1000MΩ min

Plating

- 1. Contacts: Gold plated on contact area, Tin 100u" Min plated on solder area, Ni 50u" Min plated over all
- 2. Shell: Ni 50u" Min over all plating

Environmental

- 1. Temperature: -55°C to +85°C

Packing: Tray

Ordercode ③

WSW PN	Plating	Insulator
A-USB B-TOP	Gold selective tin	PBT+30%GF black
A-USB B-TOP-C	Gold selective tin	PBT+30%GF white
A-USB/2-B-TOP	Gold 30μ" selective tin	PBT+30%GF black
A-USB/2-B-TOP-C	Gold 30μ" selective tin	PBT+30%GF white

RoHS compliant
Unit: mm

Scale	Free			Date	Name	Description: USB 2.0 / Type-B / Female / Vertical					
TOLERANCE				Drawn	22.12.2014		Winnie				
.X	±0.30	③	Update	15.06.2021	Luca	Approved	15.06.2021	Luca	ASSMANN WSW-No. A-USB x-B-TOP-x		
.XX	±0.20	②	Update	12.08.2019	Xavier						
.XXX	±0.10	①	Add the soldering temperature	16.09.2015	Winnie				Drawing-No.	ASS 6688 CO	rev03
DIM	TOL	①	Drawn	22.12.2014	Winnie				Customer-No.		
X.°	±5°	①									
Angle	TOL	Id.	Modification	Date	Name						