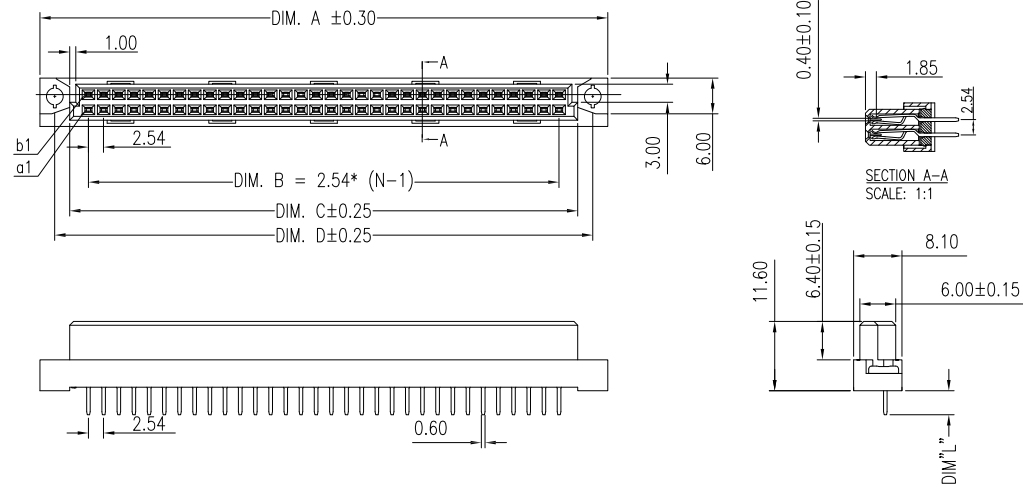


A



Technical specifications:

- Materials:**
 1. Insulator: Glass-Filled PBT, Color: Grey, UL 94V-0
 2. Contact: Copper Alloy

Contact plating according DIN41612 performance classes:
 Performance class I (500 mating cycles min.)
 (-1) 30u" AU plating on mating area, Gold Flash on non-mating area, 50u" Nickel underplating
 100u" Sn plating on solder area over 50u" Nickel
 Performance class II (250 mating cycles min.)
 (-2) 15u" AU plating on mating area, Gold Flash on non-mating area, 50u" Nickel underplating
 100u" Sn plating on solder area over 50u" Nickel
 Performance class III (50 mating cycles min.)
 (blank) Gold flash on mating side over 50u" Nickel
 100u" Sn plating on solder area over 50u" Nickel

Other specifications:
 Contact resistance: 20mOhm max.
 Insulation resistance: 10¹²Ohm min.
 Current rating: 2A
 Operating temperature: -40°C to 105°C
 Operating voltage: 125VAC
 Test voltage: 1000VAC
 Packaging: Tray

B

C

D

A

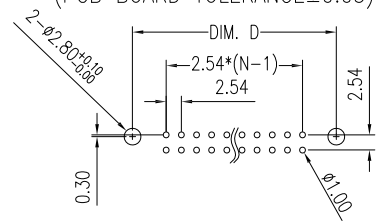
B

C

D

E

Recommended P.C.B Layout(Top Side)
 (PCB BOARD TOLERANCE±0.05)



ROWS	DIM.A	DIM.B	DIM.C	DIM.D
2	95.00	78.74	85.00	90.00
2	55.00	38.10	44.40	50.00

DIN41612 STYLE B FEMALE STRAIGHT									
ORDERING CODE						CONTACT DETAILS			
Style	M=Male F=Female	No of pins	Rows loaded	Pin type	Plating Class	Pin length	Cross section	Pin load	Pin type/direction
A-	B	F	xx	xx	x	-	x		
Options (if another contact loading option is needed, please contact your sales office)									
A-	B	F	64	ab	T	-	1	T: 4.00 (±0.25)	0.60x0.60(±0.03)
			32	a	T2.5	-	2	T2.5: 2.50 (±0.25)	ab: 2x32 THT straight (Page 1)
					W5		blank	W5: 4.57 (±0.25)	a: 1x32
					WAB			WAB: 13.00 (±0.20)	0.64x0.60(±0.03)
					P			P: 5.00 (±0.20)	THT Wrap post (Page 2)
					PWAB			PWAB: 13.00 (±0.20)	Press-In straight (Page 3)

E

F

F

G

RoHS compliant
 Unit: mm

 File No.: E198287

Scale	Free					Date	Name
TOLERANCE						Drawn	24.05.2013
X.	±X						
X.X	±0.40	③	Add UL E-file No.	14.05.2021	Daniel	Approved	14.05.2021
X.XX	±0.25	②	Add the page 2&3	01.02.2021	Winnie		
X.XXX	±0.15	①	Change to new plant	17.08.2020	Winnie		
DIM	TOL	①	Drawn	24.05.2013	Winnie		
Angle	±3°	Id.	Modification	Date	Name		

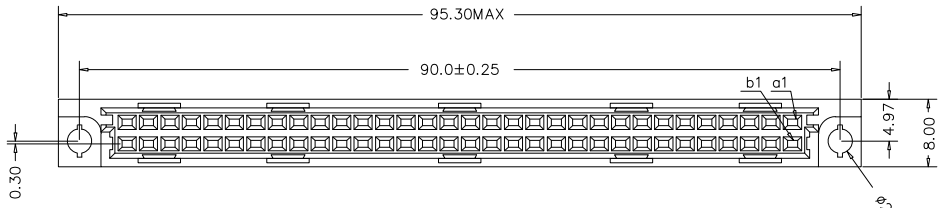


Description: DIN 41612
 Type B / Female / Straight
 ASSMANN WSW-No.
A-BFxxxxx-x
 Drawing-No.
ASS 5674 CO
 rev03
 Customer-No.
 SHEET
 1 / 3

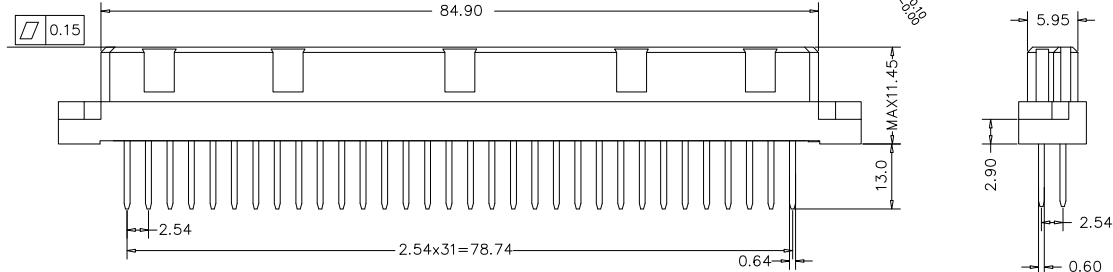
G

H

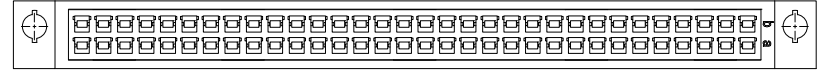
A



B

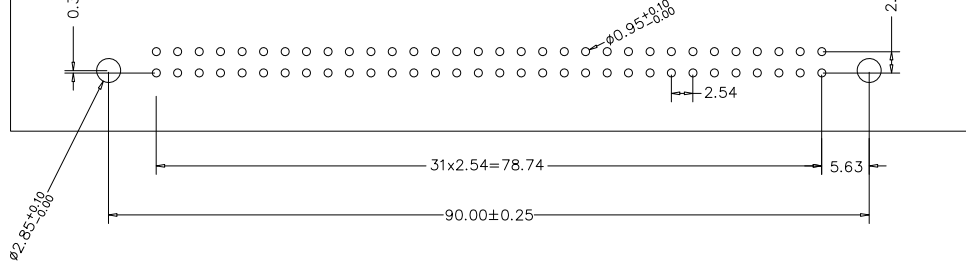


C



D

Recommended P.C.B Layout(Top Side)
(PCB BOARD TOLERANCE±0.05)



E

F

Technical specifications:

Materials:

1. Insulator: Glass-Filled PBT, Color: Grey, UL 94V-0
2. Contact: Copper Alloy

Contact plating according DIN41612 performance classes:

Performance class I (-1)	500 mating cycles min. 30u" AU plating on mating area, Gold Flash on non-mating area, 50u" Nickel underplating 100u" Sn plating on solder area over 50u" Nickel
Performance class II (-2)	250 mating cycles min. 15u" AU plating on mating area, Gold Flash on non-mating area, 50u" Nickel underplating 100u" Sn plating on solder area over 50u" Nickel
Performance class III (blank)	50 mating cycles min. Gold flash on mating side over 50u" Nickel 100u" Sn plating on solder area over 50u" Nickel

Other specifications:

Contact resistance:	20mOhm max.
Insulation resistance:	10 ¹² Ohm min.
Current rating:	2A
Operating temperature:	-40°C to 105°C
Operating voltage:	125VAC
Test voltage:	1000VAC
Packaging:	Tray

DIN41612 STYLE B FEMALE STRAIGHT									
ORDERING CODE						CONTACT DETAILS			
Style	M=Male F=Female	No of pins	Rows loaded	Pin type	Plating Class	Pin length	Cross section	Pin load	Pin type/ direction
A-	B	F	xx	xx	x	-	x		
Options (if another contact loading option is needed, please contact your sales office)									
A-	B	F	64	ab	T	-	1	T: 4.00 (±0.25)	0.60x0.60(±0.03)
			32	a	T2.5	-	2	T2.5: 2.50 (±0.25)	ab: 2x32 THT straight (Page 1)
					W5	-	blank	W5: 4.57 (±0.25)	a: 1x32
					WAB			WAB: 13.00 (±0.20)	0.64x0.60(±0.03)
					P			P: 5.00 (±0.20)	THT Wrap post (Page 2)
					PWAB			PWAB: 13.00 (±0.20)	Press-In straight (Page 3)

A

B

C

D

E

F

G

RoHS compliant
Unit: mm



Scale	Free
TOLERANCE	
X.	±X
X.X	±0.40
X.XX	±0.25
X.XXX	±0.15
DIM	TOL
Angle	±3°

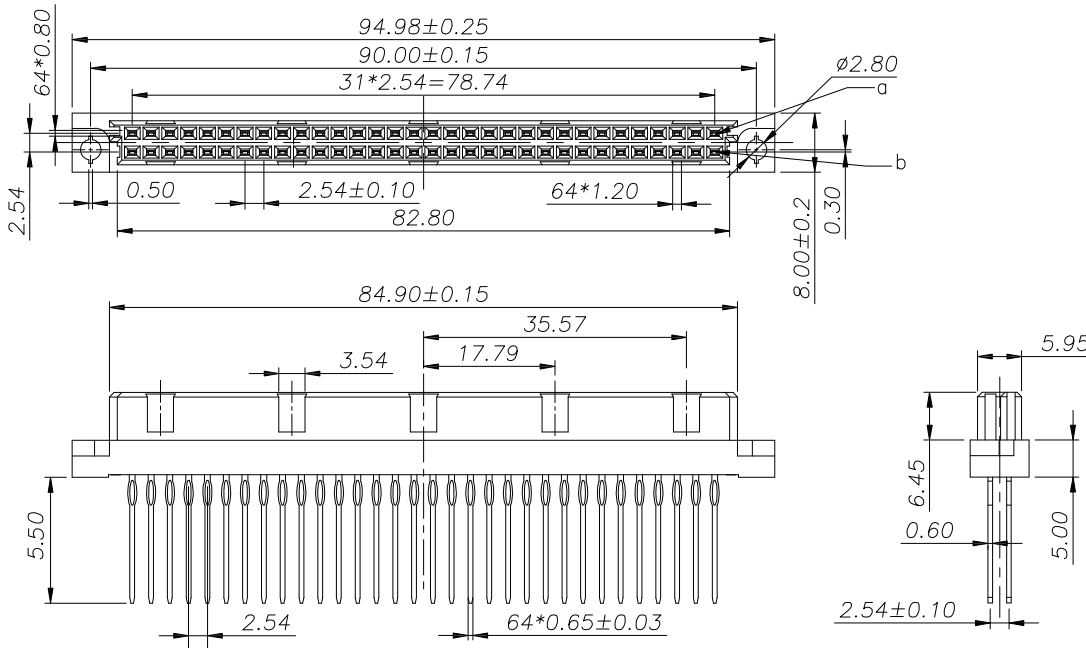
③	Add UL E-file No.	14.05.2021	Daniel	Approved	04.02.2021	Daniël
②	Add the page 2&3	01.02.2021	Winnie			
①	Change to new plant	17.08.2020	Winnie			
①	Drawn	24.05.2013	Winnie			
Id.	Modification	Date	Name			



Description: DIN 41612 Type B / THT Wrap/Female / Straight	
ASSMANN WSW-No. A-BFxxxxx-x	
Drawing-No. ASS 5674 CO	rev03
Customer-No.	SHEET 2 / 3

G

H



Technical specifications:

Materials:

1. Insulator: Glass-Filled PBT, Color: Grey, UL 94V-0
2. Contact: Copper Alloy

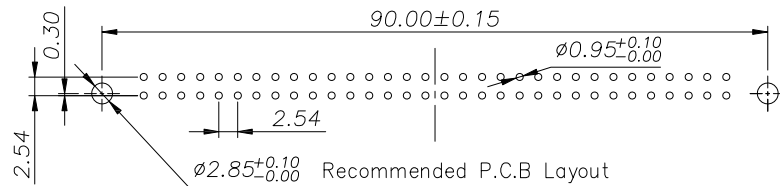
Contact plating according DIN41612 performance classes:

Performance class I (-1)	500 mating cycles min. 30u" AU plating on mating area, Gold Flash on non-mating area, 50u" Nickel underplating 100u" Sn plating on solder area over 50u" Nickel
Performance class II (-2)	250 mating cycles min. 15u" AU plating on mating area, Gold Flash on non-mating area, 50u" Nickel underplating 100u" Sn plating on solder area over 50u" Nickel
Performance class III (blank)	50 mating cycles min. Gold flash on mating side over 50u" Nickel 100u" Sn plating on solder area over 50u" Nickel

Other specifications:

Contact resistance:	20mOhm max.
Insulation resistance:	10 ¹² Ohm min.
Current rating:	2A
Operating temperature:	-40°C to 105°C
Operating voltage:	125VAC
Test voltage:	1000VAC
Packaging:	Tray

DIN41612 STYLE B FEMALE STRAIGHT									
ORDERING CODE						CONTACT DETAILS			
Style	M=Male F=Female	No of pins	Rows loaded	Pin type	Plating Class	Pin length	Cross section	Pin load	Pin type/direction
A-	B	F	xx	xx	x	-	x		
Options (if another contact loading option is needed, please contact your sales office)									
A-	B	F	64	ab	T	-	1	T: 4.00 (±0.25)	0.60x0.60(±0.03)
			32	a	T2.5	-	2	T2.5: 2.50 (±0.25)	ab: 2x32 THT straight (Page 1)
					W5		blank	W5: 4.57 (±0.25)	a: 1x32
					WAB			WAB: 13.00 (±0.20)	0.64x0.60(±0.03)
					P			P: 5.00 (±0.20)	THT Wrap post (Page 2)
					PWAB			PWAB: 13.00 (±0.20)	Press-In straight (Page 3)



RoHS compliant
Unit: mm

us
File No.: E198287

Scale	Free						Date	Name	Description: DIN 41612		
	TOLERANCE						Drawn	24.05.2013	Winnie	Type B / Press-in /Female / Straight	
X.	±X	③	Add UL E-file No.	14.05.2021	Daniel	Approved	04.02.2021	Daniel	ASSMANN WSW-No.		
X.X	±0.40		②	Add the page 2&3	01.02.2021	Winnie			A-BFxxxxx-x		
X.XX	±0.25		①	Change to new plant	17.08.2020	Winnie			Drawing-No.		
X.XXX	±0.15	①	Drawn	24.05.2013	Winnie			ASS 5674 CO		rev03	
DIM	TOL		Id.	Modification	Date			Name	Customer-No.		SHEET
Angle	±3°										3 / 3

ASSMANN
WSW components