

1

2

3

4

5

6

7

A

B

C

D

E

F

A

B

C

D

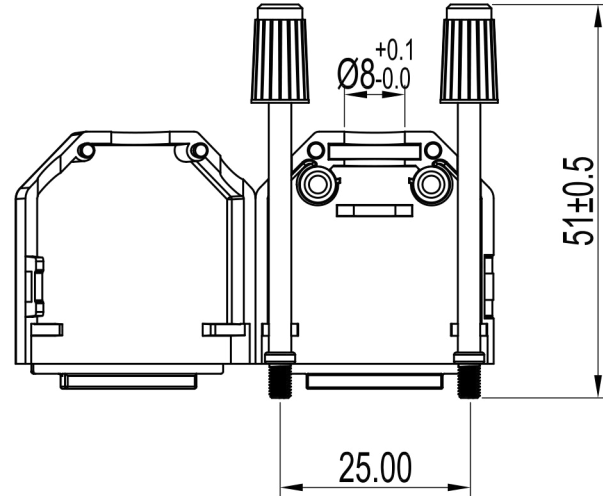
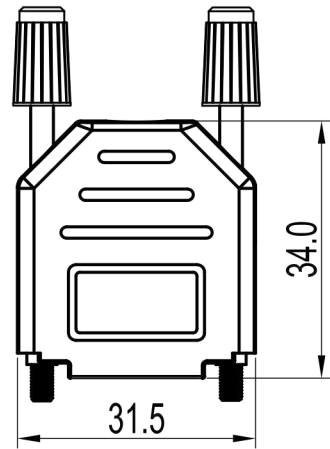
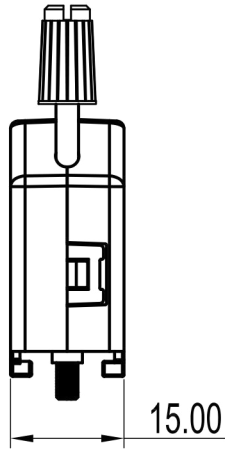
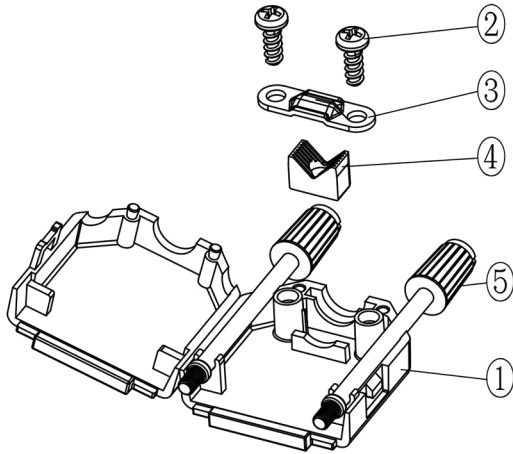
E

F

TECHNICAL SPECIFICATIONS

Material: Plastic (PA), UL94-HB
Colour: Blue
Operating Temperature: -55°C to +110°C
Thumbscrews: UNC 4-40

No. of contacts: 09-15-25-37-50



Item	QTY	Part description
1	1	Plastic Cover
2	2	EPS 3x8 Self Tapping Screw
3	1	Cable Clamp
4	1	Plastic Insert
5	2	Jackscrews UNC4-40x51mm

RoHS compliant
Unit: mm

Scale	Free				Date	Name	Customer-No.
TOLERANCE					Drawn	17.08.2017	S.Bölling
0~6	±0.10				Approved	17.08.2017	S.Bölling
6~30	±0.20						
30~120	±0.30						
120~400	±0.50	1	Update Dimension (page 5)	01.04.2019	M.Rosander		
DIM	Tol	Ⓞ	Drawn	17.08.2017	S.Bölling		
Angle	±1°						
Angle	Tol	ld.	Modification	Date	Name		

ASSMANN WSW-No.
ACOV-SUB-09NB16

Drawing-No.
ASS_5257_CO rev01
Replace Sheet 1/5



1

2

3

4

5

6

7

1

2

3

4

5

6

7

A

B

C

D

E

F

G

H

A

B

C

D

E

F

G

H

Item	QTY	Part description
1	1	Plastic Cover
2	2	EPS 3x8 Self Tapping Screw
3	1	Cable Clamp
4	1	Plastic Insert
5	2	Jackscrews UNC4-40x51mm

TECHNICAL SPECIFICATIONS

Material: Plastic (PA), UL94-HB
 Colour: Blue
 Operating Temperature: -55°C to +110°C
 Thumbscrews: UNC 4-40

No. of contacts: 09-15-25-37-50

RoHS compliant
 Unit: mm

Scale	Free					Date	Name	Customer-No.
TOLERANCE						Drawn	17.08.2017	S.Bölling
0~6	±0.10					Approved	17.08.2017	S.Bölling
6~30	±0.20							
30~120	±0.30							
120~400	±0.50	1	Update Dimension (page 5)	01.04.2019	M.Rosander			
DIM	Tol							
Angle	±1°	Ⓞ	Drawn	17.08.2017	S.Bölling			
Angle	Tol	ld.	Modification	Date	Name			

Customer-No.
 ASSMANN WSW-No.
ACOV-SUB-15NB16

Drawing-No.
ASS_5257_CO rev01
 Replace Sheet 2/5

1

2

3

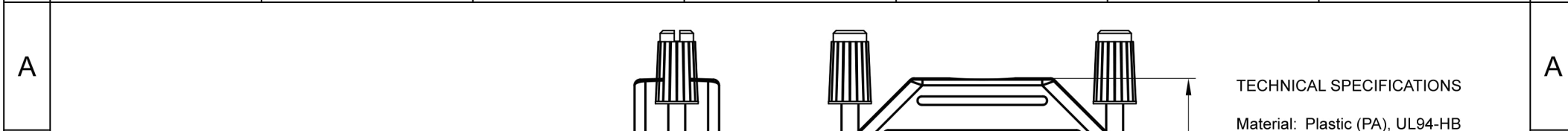
4

5

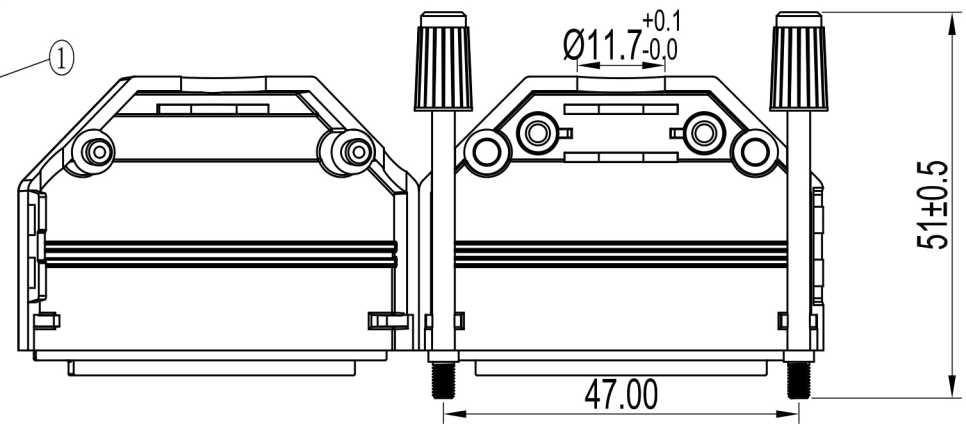
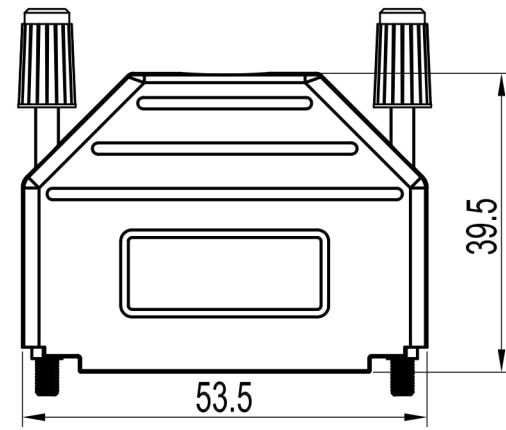
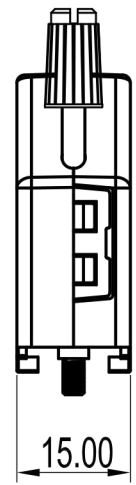
6

7

SV4382



TECHNICAL SPECIFICATIONS
 Material: Plastic (PA), UL94-HB
 Colour: Blue
 Operating Temperature: -55°C to +110°C
 Thumbscrews: UNC 4-40
 No. of contacts: 09-15-25-37-50



Item	QTY	Part description
1	1	Plastic Cover
2	2	EPS 3x8 Self Tapping Screw
3	1	Cable Clamp
4	1	Plastic Insert
5	2	Jackscrews UNC4-40x51mm

RoHS compliant
 Unit: mm

Scale	Free				Date	Name	Customer-No.
TOLERANCE					Drawn	17.08.2017	S.Bölling
0~6	±0.10				Approved	17.08.2017	S.Bölling
6~30	±0.20						
30~120	±0.30						
120~400	±0.50	1	Update Dimension (page 5)	01.04.2019	M.Rosander		
DIM	Tol	Ⓞ	Drawn	17.08.2017	S.Bölling		
Angle	±1°						
Angle	Tol	ld.	Modification	Date	Name		

ASSMANN WSW-No.
ACOV-SUB-25NB16



Drawing-No.
ASS_5257_CO rev01
 Replace Sheet 3/5

1

2

3

4

5

6

7

A

B

C

D

E

F

G

H

A

B

C

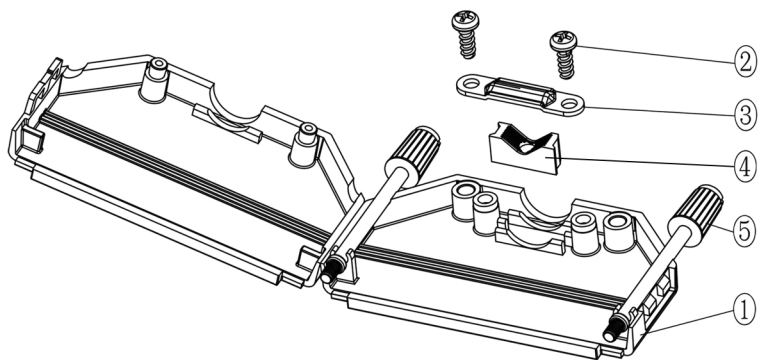
D

E

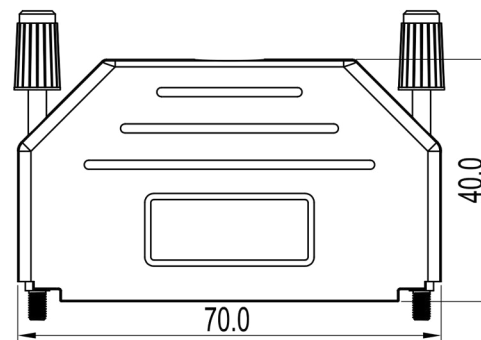
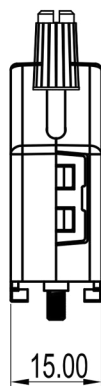
F

G

H



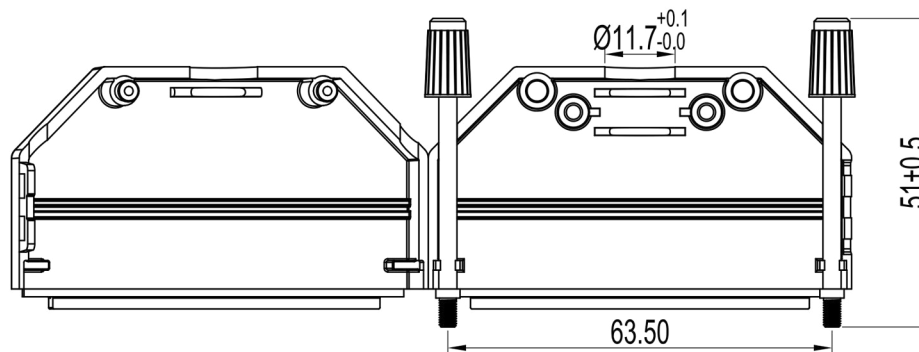
Item	QTY	Part description
1	1	Plastic Cover
2	2	EPS 3x8 Self Tapping Screw
3	1	Cable Clamp
4	1	Plastic Insert
5	2	Jackscrews UNC4-40x51mm



TECHNICAL SPECIFICATIONS

Material: Plastic (PA), UL94-HB
 Colour: Blue
 Operating Temperature: -55°C to +110°C
 Thumbscrews: UNC 4-40

No. of contacts: 09-15-25-37-50



RoHS compliant
 Unit: mm

Scale	Free				Date	Name	Customer-No.
TOLERANCE					Drawn	17.08.2017	S.Bölling
0~6	±0.10				Approved	17.08.2017	S.Bölling
6~30	±0.20						
30~120	±0.30						
120~400	±0.50	1	Update Dimension (page 5)	01.04.2019	M.Rosander		
DIM	Tol	Ⓞ	Drawn	17.08.2017	S.Bölling		
Angle	±1°						
Angle	Tol	Id.	Modification	Date	Name		

ASSMANN WSW-No.
ACOV-SUB-37NB16

Drawing-No.
ASS_5257_CO rev01
 Replace Sheet 4/5

ASSMANN
 WSW components

1

2

3

4

5

6

7

SV4382

	1	2	3	4	5	6	7																																																																											
A						TECHNICAL SPECIFICATIONS Material: Plastic (PA), UL94-HB Colour: Blue Operating Temperature: -55°C to +110°C Thumbscrews: UNC 4-40 No. of contacts: 09-15-25-37-50		A																																																																										
B										B																																																																								
C										C																																																																								
D										D																																																																								
E	<table border="1"> <thead> <tr> <th>Item</th> <th>QTY</th> <th>Part description</th> </tr> </thead> <tbody> <tr> <td>1</td> <td>1</td> <td>Plastic Cover</td> </tr> <tr> <td>2</td> <td>2</td> <td>EPS 3x8 Self Tapping Screw</td> </tr> <tr> <td>3</td> <td>1</td> <td>Cable Clamp</td> </tr> <tr> <td>4</td> <td>1</td> <td>Plastic Insert</td> </tr> <tr> <td>5</td> <td>2</td> <td>Jackscrews UNC4-40x51mm</td> </tr> </tbody> </table>			Item	QTY	Part description	1	1	Plastic Cover	2	2	EPS 3x8 Self Tapping Screw	3	1	Cable Clamp	4	1	Plastic Insert	5	2	Jackscrews UNC4-40x51mm				E																																																									
Item	QTY	Part description																																																																																
1	1	Plastic Cover																																																																																
2	2	EPS 3x8 Self Tapping Screw																																																																																
3	1	Cable Clamp																																																																																
4	1	Plastic Insert																																																																																
5	2	Jackscrews UNC4-40x51mm																																																																																
F								F																																																																										
G	RoHS compliant Unit: mm			<table border="1"> <thead> <tr> <th>Scale</th> <th>Free</th> <th></th> <th></th> <th></th> <th>Date</th> <th>Name</th> <th>Customer-No.</th> </tr> </thead> <tbody> <tr> <td colspan="2">TOLERANCE</td> <td></td> <td></td> <td></td> <td>Drawn</td> <td>17.08.2017</td> <td>S.Bölling</td> <td rowspan="3">ASSMANN WSW-No. ACOV-SUB-50NB16</td> </tr> <tr> <td>0~6</td> <td>±0.10</td> <td></td> <td></td> <td></td> <td>Approved</td> <td>17.08.2017</td> <td>S.Bölling</td> </tr> <tr> <td>6~30</td> <td>±0.20</td> <td></td> <td></td> <td></td> <td></td> <td></td> <td></td> </tr> <tr> <td>30~120</td> <td>±0.30</td> <td></td> <td></td> <td></td> <td></td> <td></td> <td></td> <td rowspan="2">Drawing-No. ASS_5257_CO rev01</td> </tr> <tr> <td>120~400</td> <td>±0.50</td> <td>1</td> <td>Update Dimension (page 5)</td> <td>01.04.2019</td> <td>M.Rosander</td> <td rowspan="4"> </td> <td rowspan="2">Replace</td> </tr> <tr> <td>DIM</td> <td>Tol</td> <td>Ⓞ</td> <td>Drawn</td> <td>17.08.2017</td> <td>S.Bölling</td> <td>Sheet 5/5</td> </tr> <tr> <td>Angle</td> <td>±1°</td> <td></td> <td></td> <td></td> <td></td> <td></td> <td></td> </tr> <tr> <td>Angle</td> <td>Tol</td> <td>ld.</td> <td>Modification</td> <td>Date</td> <td>Name</td> <td></td> <td></td> </tr> </tbody> </table>			Scale	Free				Date	Name	Customer-No.	TOLERANCE					Drawn	17.08.2017	S.Bölling	ASSMANN WSW-No. ACOV-SUB-50NB16	0~6	±0.10				Approved	17.08.2017	S.Bölling	6~30	±0.20							30~120	±0.30							Drawing-No. ASS_5257_CO rev01	120~400	±0.50	1	Update Dimension (page 5)	01.04.2019	M.Rosander		Replace	DIM	Tol	Ⓞ	Drawn	17.08.2017	S.Bölling	Sheet 5/5	Angle	±1°							Angle	Tol	ld.	Modification	Date	Name					G
Scale	Free				Date	Name	Customer-No.																																																																											
TOLERANCE					Drawn	17.08.2017	S.Bölling	ASSMANN WSW-No. ACOV-SUB-50NB16																																																																										
0~6	±0.10				Approved	17.08.2017	S.Bölling																																																																											
6~30	±0.20																																																																																	
30~120	±0.30							Drawing-No. ASS_5257_CO rev01																																																																										
120~400	±0.50	1	Update Dimension (page 5)	01.04.2019	M.Rosander		Replace																																																																											
DIM	Tol	Ⓞ	Drawn	17.08.2017	S.Bölling			Sheet 5/5																																																																										
Angle	±1°																																																																																	
Angle	Tol	ld.	Modification	Date	Name																																																																													
H								H																																																																										
	1	2	3	4	5	6	7	SV4382																																																																										