

Male

NOTES:

MATERIAL

- 1. Insulator Material: Glass-filled thermoplastic PBT, UL94V-0
 - 2. Insulator color :Black
 - 3. Shell :Steel, 100 μ" Tin Over 50μ" min Copper
 - 4. Contact: Brass
 - 5. Housing: Zytel FR-50 UL94V-0, Standard colour black
- ELECTRICAL**

- 1. Contact Resistance: 30mOhm max. at DC 100mA
- 2. Insulator Resistance: 1000MOhm Min. at DC 500V
- 3. Current Rating: 3 AMP
- 4. Dielectric Withstanding Voltage: AC 500V for 1 minute

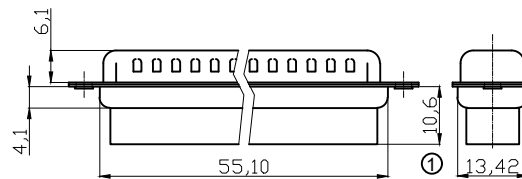
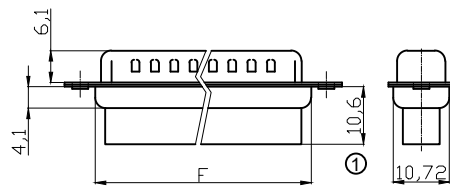
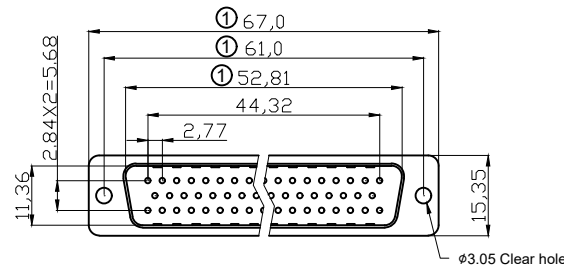
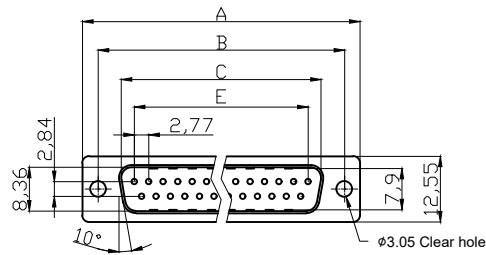
① OPERATING TEMPERATURE: -55°C to +105°C

Order Code:

A-DxCR/xx/FZ

Contact style: F - Female
S - Male

No. of Contacts
09 / 15 / 25 / 37 / 50



50 Positions

Dimensions

Positions	A	B	C	E	F
09	30.81	24.99	16.92	11.08	19.20
15	39.20	33.30	25.25	19.39	27.70
25	53.05	47.04	38.96	33.24	41.10
37	69.40	63.50	55.42	49.86	57.30
50	67.0	61.0	52.81	44.32	55.10

RoHS compliant

Unit: mm



File No.: E198287

Scale	Free				Date	Name	Customer-No.
TOLERANCE					Drawn	15.08.2012	Lucas
X.	±0.38				Approved	13.11.2019	Winnie
X.X	±0.25						
X.XX	±0.13	②	Add A-DxCR/xx/FZ-UNC page 2&4	13.11.2019	Winnie		
DIM	TOL	①	Add 50 position for female type Update operate temperature and dim.	17.05.2019	Xavier		
X.°	±3°	①					
X.X°	±1.0°	①	Drawn	15.08.2012	Lucas		
Angle	TOL	Id.	Modification	Date	Name	ASSMANN WSW components	

Customer-No.

Drawn 15.08.2012 Lucas

Approved 13.11.2019 Winnie

ASSMANN WSW-No.

A-DSCR/xx/FZ

Drawing-No.

ASS 4893 CO

rev02

Replace

Sheet
1/4



Male

NOTES:

MATERIAL

- 1. Insulator Material: Glass-filled thermoplastic PBT, UL94V-0
- 2. Insulator color :Black
- 3. Shell :Steel, 100 μ" Tin Over 50μ" min Copper
- 4. Contact: Brass
- 5. Housing: Zytel FR-50 UL94V-0, Standard colour black

ELECTRICAL

- 1. Contact Resistance: 30mOhm max. at DC 100mA
- 2. Insulator Resistance: 1000MOhm Min. at DC 500V
- 3. Current Rating: 3 AMP
- 4. Dielectric Withstanding Voltage: AC 500V for 1 minute

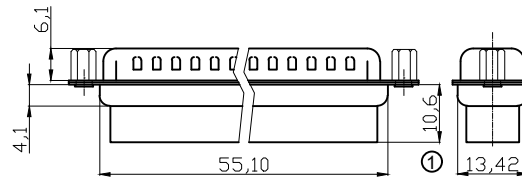
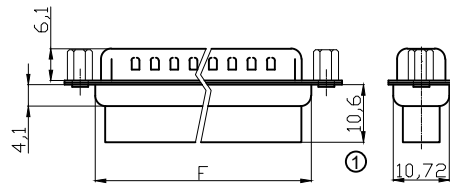
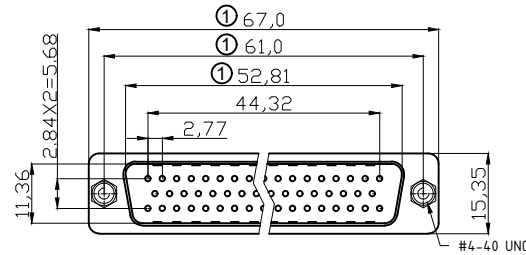
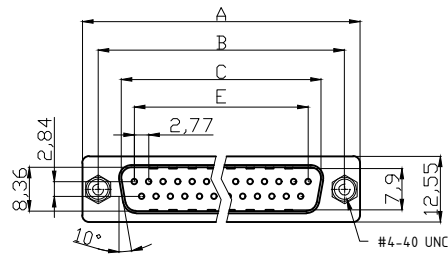
① OPERATING TEMPERATURE: -55°C to +105°C

Order Code:

A-DxCR/xx/FZ-UNC

Contact style: F - Female
S - Male

No. of Contacts
09 / 15 / 25 / 37 / 50



50 Positions

Dimensions

Positions	A	B	C	E	F
09	30.81	24.99	16.92	11.08	19.20
15	39.20	33.30	25.25	19.39	27.70
25	53.05	47.04	38.96	33.24	41.10
37	69.40	63.50	55.42	49.86	57.30
50	67.0	61.0	52.81	44.32	55.10

RoHS compliant

Unit: mm



File No.: E198287

Scale	Free					Date	Name	Customer-No.
TOLERANCE						Drawn	15.08.2012	Lucas
X.	±0.38					Approved	13.11.2019	Winnie
X.X	±0.25							
X.XX	±0.13	②	Add A-DxCR/xx/FZ-UNC page 2&4	13.11.2019	Winnie			
DIM	TOL	①	Add 50 position for female type Update operate temperature and dim.	17.05.2019	Xavier			
X.°	±3°	①						
X.X°	±1.0°	①	Drawn	15.08.2012	Lucas			
Angle	TOL	Id.	Modification	Date	Name			

ASSMANN WSW-No.
A-DSCR/xx/FZ-UNC

Drawing-No.
ASS 4893 CO rev02

Replace Sheet 2/4

Female

NOTES:

MATERIAL

- 1. Insulator Material: Glass-filled thermoplastic PBT, UL94V-0
 - 2. Insulator color : Black
 - 3. Shell : Steel, 100 μ" Tin Over 50μ" min Copper
 - 4. Contact: Brass
 - 5. Housing: Zytel FR-50 UL94V-0, Standard colour black
- ELECTRICAL**

- 1. Contact Resistance: 30mOhm max. at DC 100mA
- 2. Insulator Resistance: 1000MOhm Min. at DC 500V
- 3. Current Rating: 3 AMP
- 4. Dielectric Withstanding Voltage: AC 500V for 1 minute

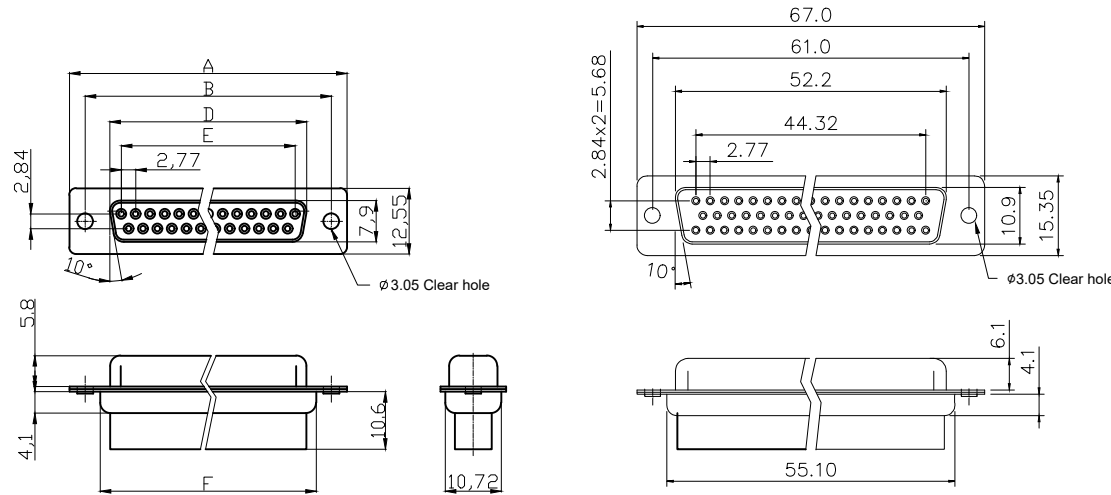
① OPERATING TEMPERATURE: -55°C to +105°C

Order Code:

A-DxCR/xx/FZ-UNC

Contact style: F - Female
S - Male

No. of Contacts
09 / 15 / 25 / 37 / 50



① 50 Positions

Dimensions

Positions	A	B	D	E	F
09	30.81	24.99	16.33	11.08	19.20
15	39.20	33.30	24.70	19.39	27.70
25	53.05	47.04	38.40	33.24	41.10
37	69.40	63.50	54.80	49.86	57.30
50	67.0	61.0	52.2	44.32	55.10

RoHS compliant

Unit: mm



File No.: E198287

Scale	Free				Date	Name	Customer-No.
TOLERANCE					Drawn	15.08.2012	Lucas
X.	±0.38				Approved	13.11.2019	Winnie
X.X	±0.25						
X.XX	±0.13	②	Add A-DxCR/xx/FZ-UNC page 2&4	13.11.2019	Winnie		
DIM	TOL	①	Add 50 position for female type Update operate temperature and dim.	17.05.2019	Xavier		
X.°	±3°						
X.X°	±1.0°	①	Drawn	15.08.2012	Lucas		
Angle	TOL	Id.	Modification	Date	Name		

Customer-No.

ASSMANN WSW-No.
A-DFCR/xx/FZ

Drawing-No.
ASS 4893 CO rev02

Replace Sheet 3/4



Female

NOTES:

MATERIAL

- 1. Insulator Material: Glass-filled thermoplastic PBT, UL94V-0
 - 2. Insulator color : Black
 - 3. Shell : Steel, 100 μ" Tin Over 50μ" min Copper
 - 4. Contact: Brass
 - 5. Housing: Zytel FR-50 UL94V-0, Standard colour black
- ELECTRICAL**

- 1. Contact Resistance: 30mOhm max. at DC 100mA
- 2. Insulator Resistance: 1000MOhm Min. at DC 500V
- 3. Current Rating: 3 AMP
- 4. Dielectric Withstanding Voltage: AC 500V for 1 minute

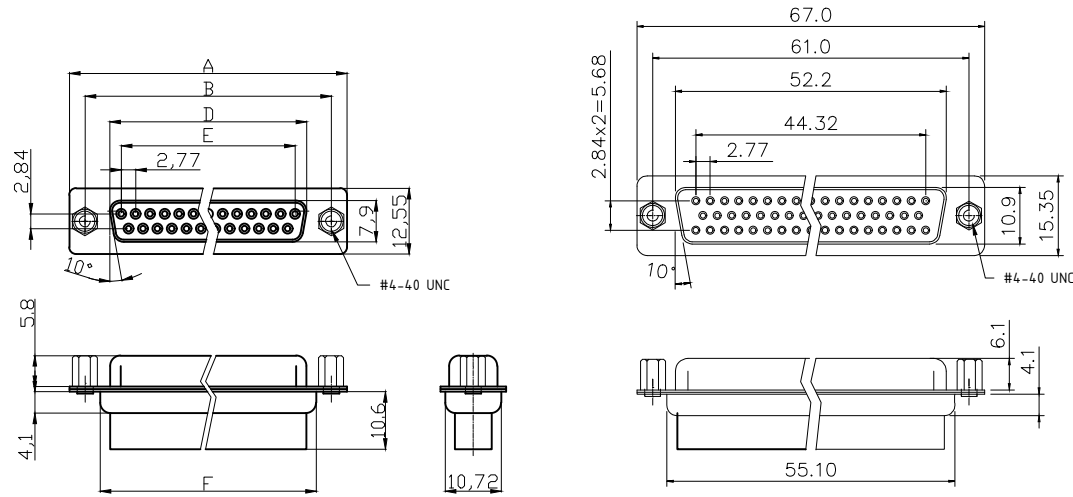
① OPERATING TEMPERATURE: -55°C to +105°C

Order Code:

A-DxCR/xx/FZ-UNC

Contact style: F - Female
S - Male

No. of Contacts
09 / 15 / 25 / 37 / 50



50 Positions

Dimensions

Positions	A	B	D	E	F
09	30.81	24.99	16.33	11.08	19.20
15	39.20	33.30	24.70	19.39	27.70
25	53.05	47.04	38.40	33.24	41.10
37	69.40	63.50	54.80	49.86	57.30
50	67.0	61.0	52.2	44.32	55.10

RoHS compliant

Unit: mm



File No.: E198287

Scale	Free					Date	Name	Customer-No.	
TOLERANCE						Drawn	15.08.2012	Lucas	
X.	±0.38					Approved	13.11.2019	Winnie	
X.X	±0.25							ASSMANN WSW-No. A-DFCR/xx/FZ-UNC	
X.XX	±0.13	②	Add A-DxCR/xx/FZ-UNC page 2&4	13.11.2019	Winnie			Drawing-No.	
DIM	TOL	①	Add 50 position for female type Update operate temperature and dim.	17.05.2019	Xavier	ASSMANN WSW components		ASS 4893 CO	rev02
X.°	±3°								
X.X°	±1.0°	①	Drawn	15.08.2012	Lucas			Replace	Sheet 4/4
Angle	TOL	Id.	Modification	Date	Name				

Customer-No.

ASSMANN WSW-No.
A-DFCR/xx/FZ-UNC

Drawing-No.
ASS 4893 CO

rev02

Replace

Sheet
4/4

