

1

2

3

4

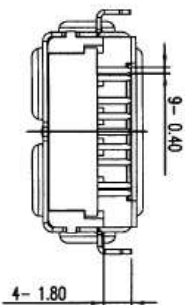
5

6

7

A

① USB3.0 COMPLIANT

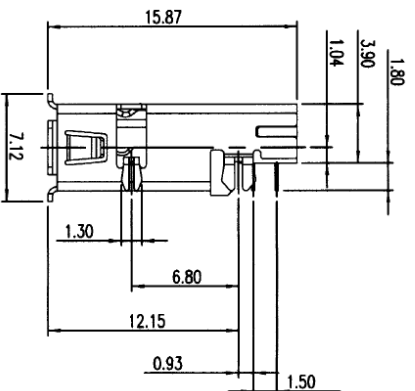
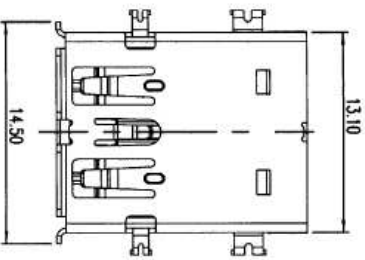


Material and Finish:

- 1. Insulator Material: Thermal Plastic, UL94HB
- 2. Contact Material: Copper Alloy
- 3. Shell Material: SPCC, Nickel plated
- 4. Contact Plating: 30u" Pb-Ni+2u" Gold
- Solder tails Area Plated: 100u" ~200u" Tin plating (Matte)
- Underplate: 50u" ~100u" Nickel Plated

Electrical:

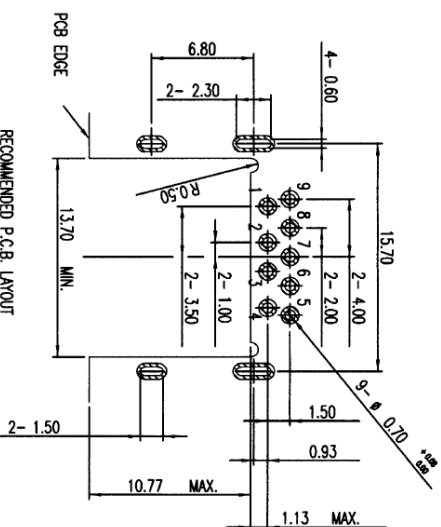
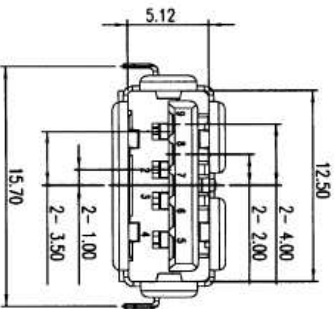
- Electrical Requirements:
- Contact Resistance: 30mOhms max. initial for VBUS and GND contacts
- 50mOhms max. initial for all other contacts
- Dielectric Strength: 100VAC/minute
- Insulation Resistance: 100 MOhms minimum @250VDC.
- Current Rating: 1.8A max. shall be applied to VBUS Pin and its corresponding GND Pin
- 0.25A min. shall be applied to all the other contacts
- Temperature Range: -20°C~+85°C
- Packing: Tape&Reel



D

E

F



ROHS compliant

Unit: mm

Scale	Free				
TOLERANCE					
X.	±0.5				
X.X	±0.3	③	Add the "USB3.0 COMPLIANT"	24.03.2014	Winnie
X.XX	±0.2	②	Update the order code	18.03.2014	Winnie
DIM	TOL	①	Update the order code	18.03.2014	Winnie
X.°	±5°				
X.X°	±X°	①	Drawn	21.05.2012	Lucas
Angle	TOL		Modification		

Date	Name		
Drawn	Lucas	21.05.2012	
Approved	Winnie	24.03.2014	



Customer-No.

ASSMANN WSW-No.

① AUSB3-AFN-BTR

Drawing-No.

ASS 4787 CO rev03

Replace

1 OF 2

1

2

3

4

5

6

7

H

H

G

G

F

F

E

E

D

D

C

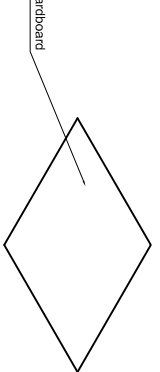
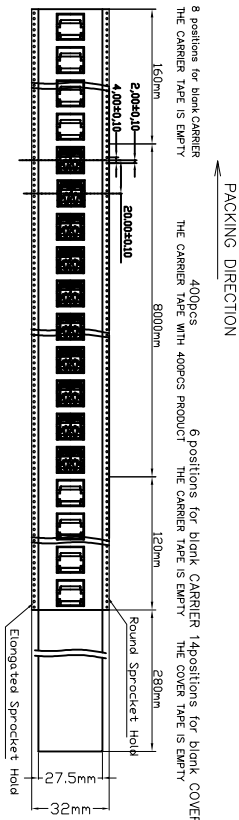
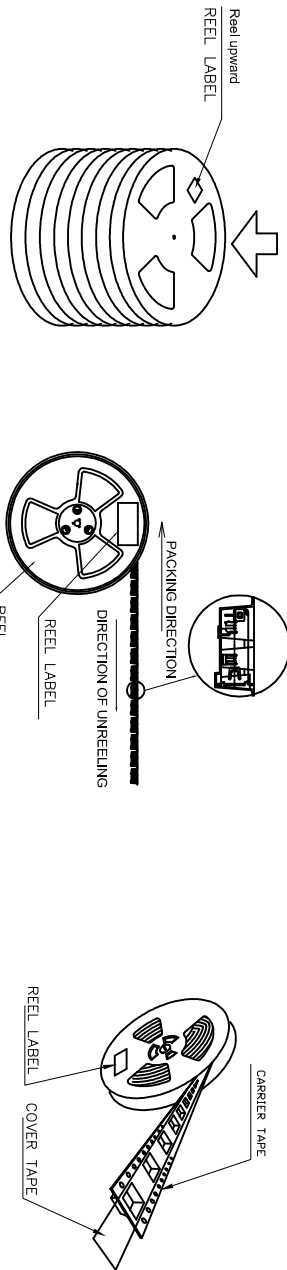
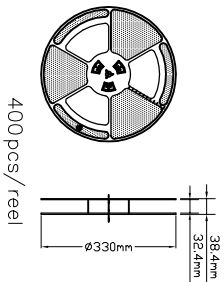
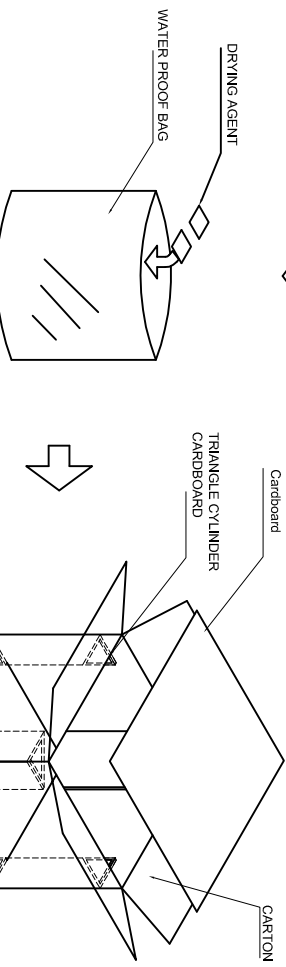
C

B

B

A

A

1	2	3	4	5	6	7																																																																	
A							A																																																																
B							B																																																																
C							C																																																																
D							D																																																																
E							E																																																																
F	<ol style="list-style-type: none"> <li>1. Fill in a corrugated paper board.</li> <li>2. Put 4 triangle cylinder cardboard in all corner.</li> <li>3. Put 7 reels of products into water proof bag, with 2pcs of drying agent.</li> <li>4. Make all reel label side up.</li> <li>5. Cover with corrugated paper board.</li> <li>6. As the indication sticking the label at the certain place of carton.</li> <li>7. T&amp;R, 400pcs/reel, 2800pcs/carton</li> <li>8. Material: PS ESD</li> <li>9. SONY SS-00259 or RoHS</li> </ol> <p>All Material In According With The RoHS Environment Related Substances List Controlled.</p>						F																																																																
G	<p><b>RoHS compliant</b></p> <p>Unit: mm</p> <table border="1" data-bbox="87 560 446 1657"> <thead> <tr> <th>Scale</th> <th>Free</th> <th></th> <th></th> <th></th> <th></th> <th>Date</th> <th>Name</th> </tr> </thead> <tbody> <tr> <td>GENERAL TOLERANCE</td> <td></td> <td></td> <td></td> <td></td> <td></td> <td>Drawn</td> <td>Lucas</td> </tr> <tr> <td>±0.2</td> <td></td> <td>③</td> <td>Add the "USB3.0 COMPLIANT"</td> <td>24.03.2014</td> <td>Approved</td> <td>24.03.2014</td> <td>Winnie</td> </tr> <tr> <td></td> <td></td> <td>②</td> <td>Update the order code</td> <td>18.03.2014</td> <td></td> <td></td> <td></td> </tr> <tr> <td></td> <td></td> <td>①</td> <td>Update the order code</td> <td>18.03.2014</td> <td></td> <td></td> <td></td> </tr> <tr> <td>DIM</td> <td>TOL</td> <td>①</td> <td>Drawn</td> <td>21.05.2012</td> <td></td> <td></td> <td></td> </tr> <tr> <td></td> <td></td> <td></td> <td></td> <td></td> <td></td> <td></td> <td></td> </tr> <tr> <td>Angle</td> <td>TOL</td> <td></td> <td></td> <td></td> <td></td> <td></td> <td></td> </tr> </tbody> </table>						Scale	Free					Date	Name	GENERAL TOLERANCE						Drawn	Lucas	±0.2		③	Add the "USB3.0 COMPLIANT"	24.03.2014	Approved	24.03.2014	Winnie			②	Update the order code	18.03.2014						①	Update the order code	18.03.2014				DIM	TOL	①	Drawn	21.05.2012												Angle	TOL							G
Scale	Free					Date	Name																																																																
GENERAL TOLERANCE						Drawn	Lucas																																																																
±0.2		③	Add the "USB3.0 COMPLIANT"	24.03.2014	Approved	24.03.2014	Winnie																																																																
		②	Update the order code	18.03.2014																																																																			
		①	Update the order code	18.03.2014																																																																			
DIM	TOL	①	Drawn	21.05.2012																																																																			
Angle	TOL																																																																						
H	<table border="1" data-bbox="87 560 271 1657"> <thead> <tr> <th>Scale</th> <th>Free</th> <th></th> <th></th> <th></th> <th></th> <th>Date</th> <th>Name</th> </tr> </thead> <tbody> <tr> <td>GENERAL TOLERANCE</td> <td></td> <td></td> <td></td> <td></td> <td></td> <td>Drawn</td> <td>Lucas</td> </tr> <tr> <td>±0.2</td> <td></td> <td>③</td> <td>Add the "USB3.0 COMPLIANT"</td> <td>24.03.2014</td> <td>Approved</td> <td>24.03.2014</td> <td>Winnie</td> </tr> <tr> <td></td> <td></td> <td>②</td> <td>Update the order code</td> <td>18.03.2014</td> <td></td> <td></td> <td></td> </tr> <tr> <td></td> <td></td> <td>①</td> <td>Update the order code</td> <td>18.03.2014</td> <td></td> <td></td> <td></td> </tr> <tr> <td>DIM</td> <td>TOL</td> <td>①</td> <td>Drawn</td> <td>21.05.2012</td> <td></td> <td></td> <td></td> </tr> <tr> <td></td> <td></td> <td></td> <td></td> <td></td> <td></td> <td></td> <td></td> </tr> <tr> <td>Angle</td> <td>TOL</td> <td></td> <td></td> <td></td> <td></td> <td></td> <td></td> </tr> </tbody> </table>						Scale	Free					Date	Name	GENERAL TOLERANCE						Drawn	Lucas	±0.2		③	Add the "USB3.0 COMPLIANT"	24.03.2014	Approved	24.03.2014	Winnie			②	Update the order code	18.03.2014						①	Update the order code	18.03.2014				DIM	TOL	①	Drawn	21.05.2012												Angle	TOL							H
Scale	Free					Date	Name																																																																
GENERAL TOLERANCE						Drawn	Lucas																																																																
±0.2		③	Add the "USB3.0 COMPLIANT"	24.03.2014	Approved	24.03.2014	Winnie																																																																
		②	Update the order code	18.03.2014																																																																			
		①	Update the order code	18.03.2014																																																																			
DIM	TOL	①	Drawn	21.05.2012																																																																			
Angle	TOL																																																																						
1	2	3	4	5	6	7																																																																	
<p><b>ASSMANN</b></p> <p>WWSW/ components</p>				<p>Customer-No. ASSMANN WSW-No. <b>0AUSB3-AFN-BTR</b></p> <p>Drawing-No. <b>ASS 4787 CO rev03</b></p> <p>Replace <b>2 OF 2</b></p>																																																																			