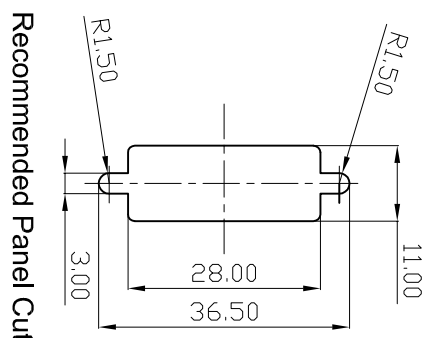
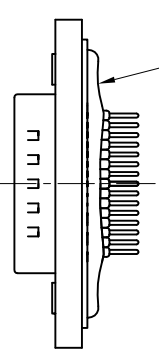
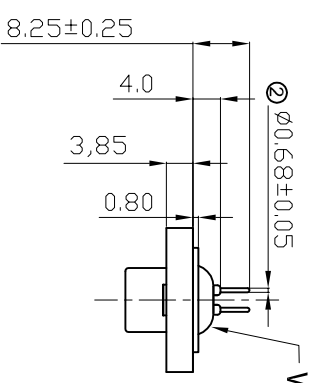


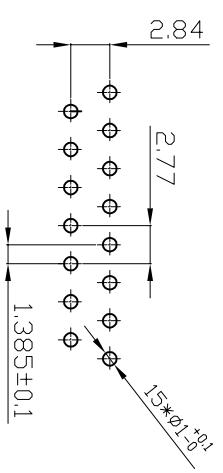
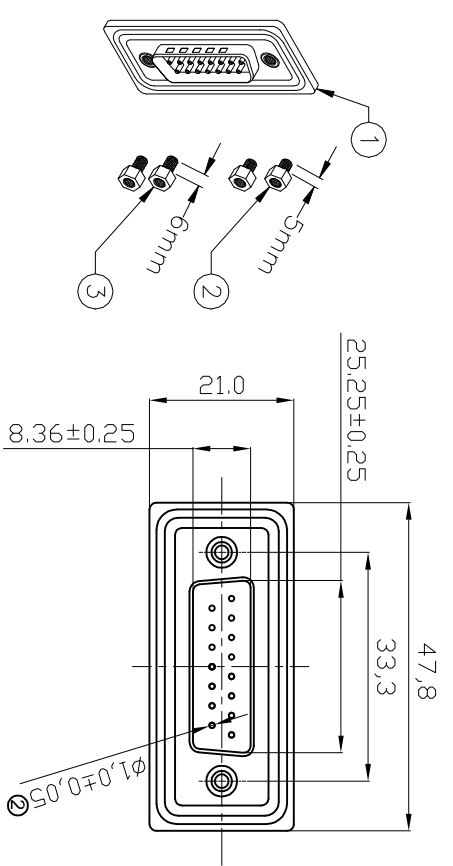
Panel Thickness
 Screw L=5.0 For Panel Thickness Under 1.2mm
 Screw L=6.0 For Panel Thickness Between 1.2-2.0mm



Recommended Panel Cut-Out



- NOTES:**
- MATERIAL**
1. Insulator Material: Black, NYLON+G/F
 2. Contact Material : Copper Alloy
 3. Plating : Gold Plating
 4. Waterproof Rate: IP67
 5. Do Mating Test After Glued



**15 Pin Male Connector
 PCB Pin Layout
 Scale 2:1**

RoHS compliant
 Unit: mm

Scale	Free				
TOLERANCE					
X.X	±0.25				
X.XX	±0.10				
X.XXX	±0.05				
DIM	TOL				
ANGLE	±1°				
X.X°	±X°				
Angle	TOL				
		Id.	Modification	Date	Name
		②	Cancel LOGO and change dimension	24.01.2018	Tom
		①	Drawn	24.12.2008	JACK

ASSMANN
 WSW components

Customer-No.
 ASSMANN WSW-No.
A-DS 15 PP-WP

Drawing-No.
ASS 3258 CO

Replace
 rev02
 Sheet

A	1	2	3	4	5	6	7	A
B	1	2	3	4	5	6	7	B
C	1	2	3	4	5	6	7	C
D	1	2	3	4	5	6	7	D
E	1	2	3	4	5	6	7	E
F	1	2	3	4	5	6	7	F
G	1	2	3	4	5	6	7	G
H	1	2	3	4	5	6	7	H