

NOTES:

MATERIAL

- 1. Insulator Material: PBT+30%G.F., (UL94V-0), Grey
- 2. Contact Material : Brass
- ③ 3. Contact Plating : Gold Flash / Tin or Full Tinned Over Ni

ELECTRICAL

- 1. Current Rating : 3.0AMP
- 2. Withstand Voltage : 1000V AC/minute
- 3. Contact Resistance : 20mΩ max
- 4. Insulation Resistance: 1000MΩ min

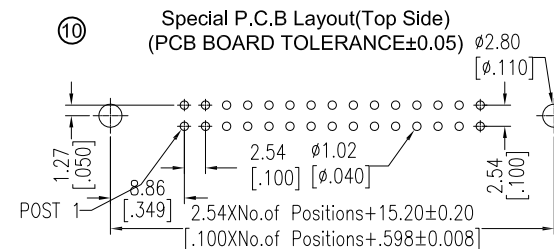
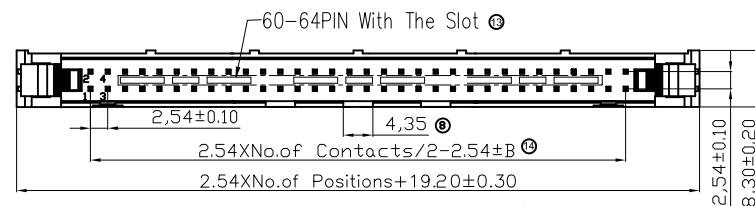
ENVIRONMENTAL

- ① 1. Operation Temperature: -40°C to +105°C
- 2. Soldering Temperature: 235°C±5°C/5s±1s
- 3. Packing : Tray
- ④ 4. Without side slot "A" and "B" for 06-18P
Without side slot "A" and with slot "B" for 20-58P
With slot "A" and "B" for 60-64P

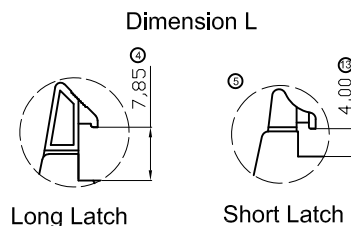
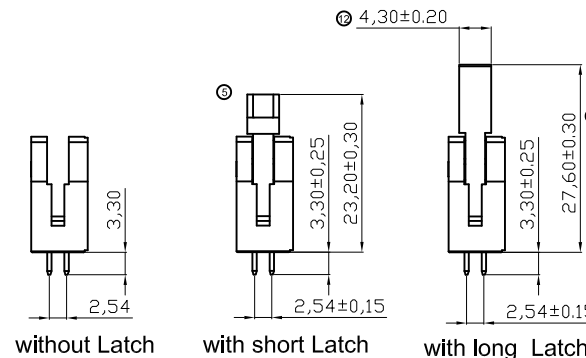
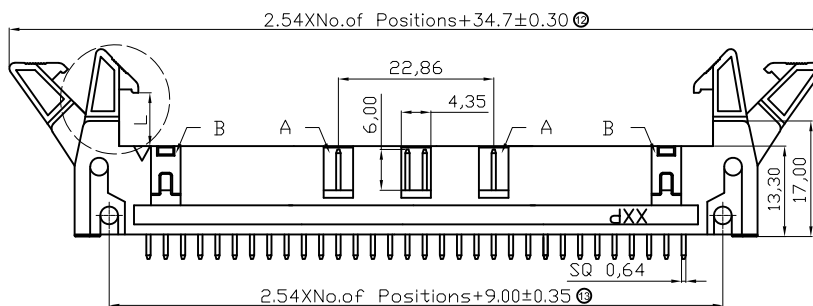
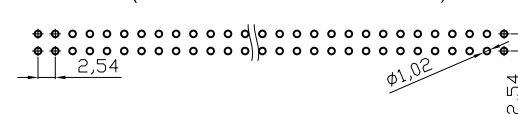
⑤ Ordering Information

AWH xxG-0xx2-T

⑤ No. of Contacts	Latch Type
06 08	0 (w/o latch)
10 12	2 (with short latch)
14 16	3 (with long latch)
18 20	
24 26	5: Full Tinned
30 34	
40 50	
60 64	



Recommended P.C.B Layout (Top Side)
(PCB BOARD TOLERANCE±0.05)



RoHS compliant
Unit: mm



Scale	Free	⑭	Update tolerance	11.01.2022	Daniel		Date	Name	Customer-No.
TOLERANCE		⑬	Update tolerance and notes	28.01.2019	Xavier	Drawn	25.01.2006	Alex	ASSMANN WSW-No. AWH xxG-0xx2-T
X.X	±0.40	⑫	Update the dimension	06.04.2017	Winnie	Approved	11.02.2022	Daniel	
X.XX	±0.25	⑪	Add the dimension	29.04.2015	Winnie				Drawing-No.
X.XXX	±0.15	⑩	Add special PCB layout	13.10.2014	Ray				
Angle	±3°	⑨	Add UL file no.	12.12.2013	Amy				
		Id.	Modification	Date	Name				ASS 2310 CO
									rev14
									Sheet 1/1

H

H