

1

2

3

4

5

6

7

⑥ **USB 2.0 COMPLIANT**
Waterproof rating: IP67

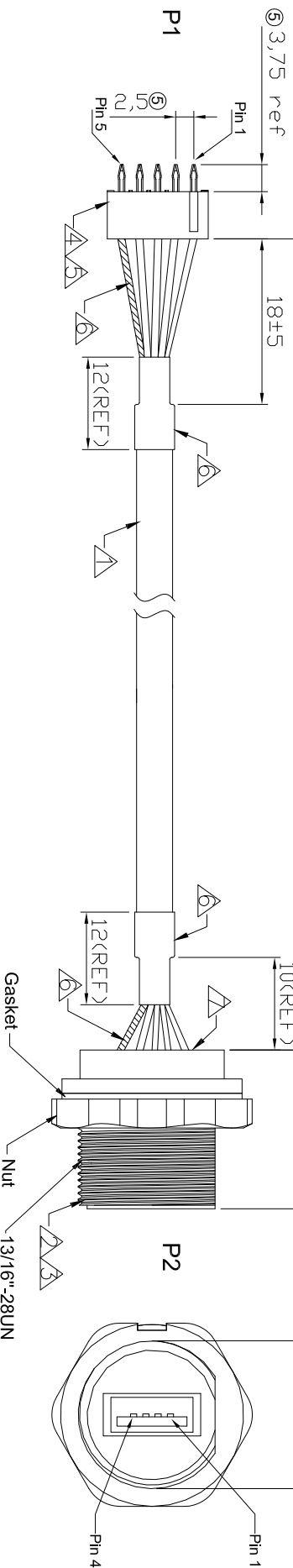
④ Length±10

⑥ 3,75 ref

18±5

22,0

±0,25
 Ø20,6



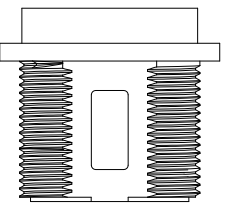
⑤
 2.50*4
 Ø1.00*5

PCB Layout

⑩ TESTING CONDITIONS:

1. VOLTAGE:300V DC/0,01S.
2. INSULATION RESISTANCE: 10 Mohms min.
3. CONDUCTIVE RESISTANCE: 5 Ohms max.
4. 100% OPEN AND SHORT ELECTRICAL TEST.
- ⑧ 5. OPERATE TEMPERATURE: -20°C~+80°C.
- ⑨ 6. THE CURRENT RATING: 15A.

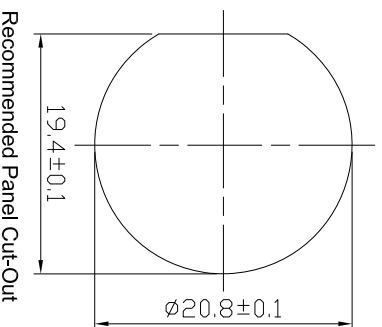
④ WSW P/N	Length
A-USB-APFS	50 mm
A-USB-APFS-100	100 mm
A-USB-APFS-150	150 mm
A-USB-APFS-200	200 mm
A-USB-APFS-250	250 mm



WIRE LIST

P1	PAIR	COLOR	P2
1		RED(24AWG)	1
2		WHITE(28AWG)	2
3		GREEN(28AWG)	3
4		BLACK(24AWG)	4
5		DRAIN	SHELL

ITEM	SPECIFICATION
③	Black glue A/B (ethoxyline resin)
⑥	BLACK HEAT SHRINKABLE CASING
⑤	TERMINAL:PHOSPHOR BRONZE. TIN-PLATED JWT:B2512TOP-2
④	HOUSING: PH2.5MM SPIN JWT:B2512H00-05P
③	ABS 94V-0. BLACK 13/16"-28UN SHELLED
②	USB A/M CONNERTIOR SOLDER
①	USB 2.0 28AWG*1P+24AWG*2C+AL.MY+D+B UL2725 JACKET BLACK PVC OD=5.0±0.2mm (UV RESISTANT)



Recommended Panel Cut-Out

ROHS compliant
 Unit: mm

1

2

3

4

5

6

7

Scale	Free	⑩ Cancel "A" logo and add new P/N version	Segal	Date	Name	Customer-No.
TOLERANCE	±0.5	⑨ Add current rating information	Segal	20.08.2004	Hellwig	ASSMANN WSW-No.
		⑧ Add operate temperature	Amy	10.08.2018	Amy	④ ⑦ A-USB-APFS A-USB-APFS-xxx
		⑦ Update	Xavier			Drawing-No.
		⑥ Add USB2.0 compliant and add notes	Tom	03.04.2018		ASS 1576 CA
		⑤ Update	Joanna	08.08.2014		rev10
		Id.	Modification	Date	Name	Replace

ASSMANN
 WSW components

ASS 1576 CA rev10
 Sheet

SV2758