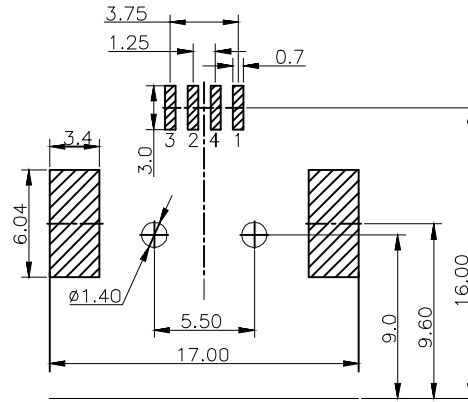
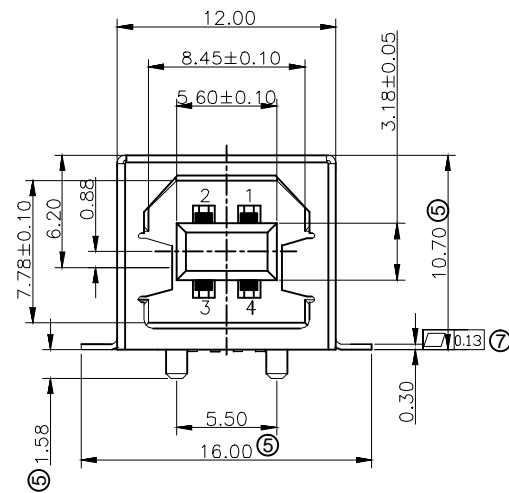
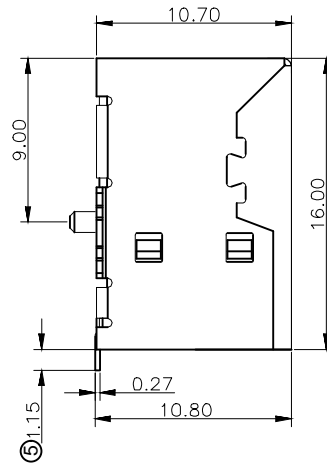
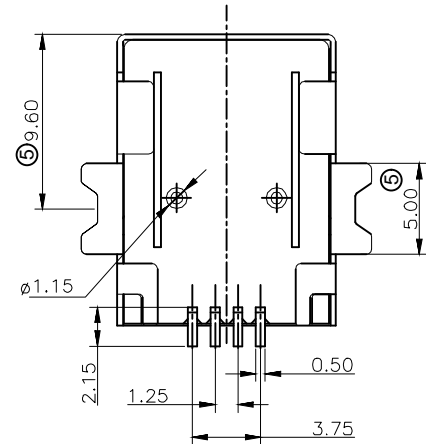


⑥ **USB2.0 COMPLIANT**



RECOMMENDED P.C.B LAYOUT
(TOLERANCE:±0.05)



NOTES:

- 1.Material:
- ③⑧ 1.1 Housing: LCP UL94V-0, White Color
 - 1.2 Shell: Brass
 - 1.3 Contact :Phosphor Bronze
2. FINISH:
- 2.1 Contact Area: Gold Flash
 - Solder Area: Tin Plated
 - Under: Ni Plated
- ⑦ 2.2 Shell: Ni Plated 50u"~80 u"
- 3.MECHANICAL:
- 3.1 Mating Force:3.57kgf Max.
 - 3.2 Unmating Force:1.02kgf Min
 - 3.3 Durability:1500 cycles Min
- 4.ELECTRICAL:
- 4.1 Current Rating:1.5A
 - ⑫ 4.2 Voltage Rating: 30VAC
 - 4.3 Dielectric Strength:500V AC FOR 1 MINUTE
 - 4.4 Contact Resistance:30mΩ Max
 - 4.5 Insulation Resistance:1000 MΩ Min
 - 5.Operating temperature: -55°C TO +85°C
 - ⑫ 6.Soldering temperature: 255±5°C for 3~5S
- 7.PACKIING:
- A-USB B/SMT:Tray
 - A-USB B/SMT-R:Tape&Reel

RoHS compliant
Unit: mm

Scale	Free	⑬	Update housing material	18.11.2021	Luca		Date	Name	Customer-No.
TOLERANCE		⑫	Update	30.10.2019	Carson	Drawn	27.03.2007	Hellwig	ASSMANN WSW-No. A-USB B/SMT A-USB B/SMT-R
X.X	±0.5	⑪	Add reflow solder profile	12.12.2018	Xavier	Approved	18.11.2021	Luca	
X.XX	±0.3	⑩	Add the dimension of reel	12.12.2016	Winnie				
X.XXX	±0.2	⑨	Add page 2	08.09.2016	Jesse				Drawing-No.
DIM	TOL	⑧	Change the insulator material	09.07.2015	Jesse				ASS 1122 CO
ANG.°	±5°	Id.	Modification	Date	Name	ASSMANN WSW components			rev13
Angle	TOL							Replace	SHEET 1/3

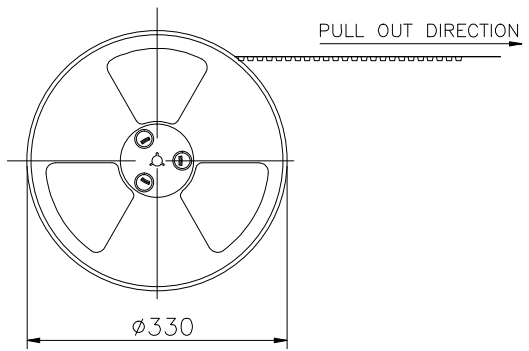
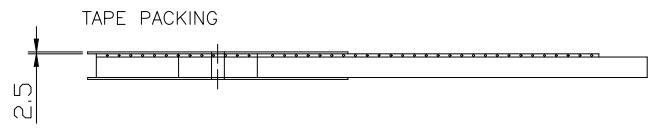


Customer-No.	
ASSMANN WSW-No. A-USB B/SMT A-USB B/SMT-R	
Drawing-No.	
ASS 1122 CO	rev13
Replace	SHEET 1/3

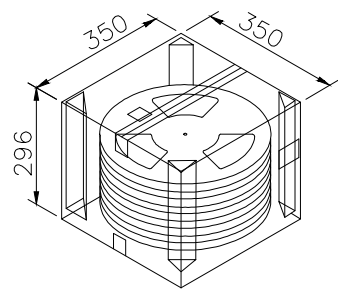
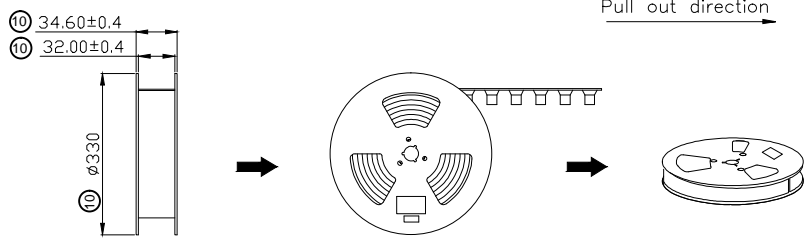
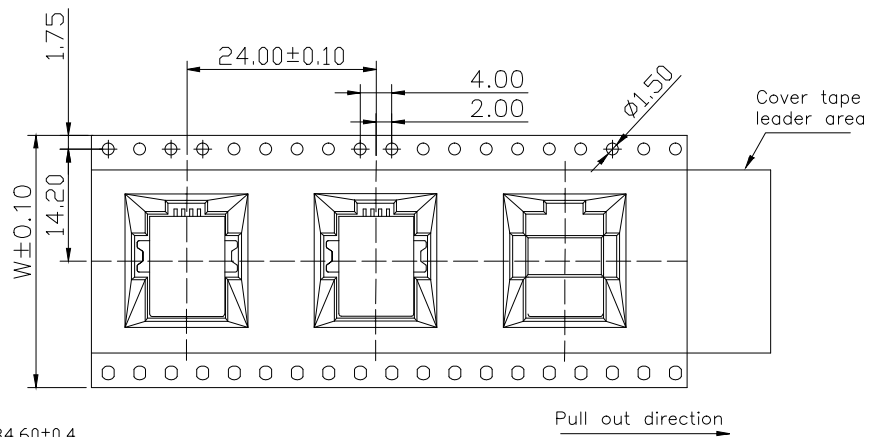
1 2 3 4 5 6 7

A

⑨



(SC 1:20)



NOTES:

- 1. Material: White
- 2. Thickness: 0.50±0.05mm
- 3. Component load per 13" reel: 150pcs
- 4. Carton Size: 350*296(mm)

Pin.	W	Pcs/R	R/Carton	Pcs/Carton
04	32	150	7	1050

RoHS compliant
Unit: mm

Scale	Free	⑬	Update housing material	18.11.2021	Luca		Date	Name	Customer-No.
TOLERANCE		⑫	Update	30.10.2019	Carson	Drawn	27.03.2007	Hellwig	ASSMANN WSW-No. A-USB B/SMT A-USB B/SMT-R
X.X	±0.5	⑪	Add reflow solder profile	12.12.2018	Xavier	Approved	18.11.2021	Luca	
X.XX	±0.3	⑩	Add the dimension of reel	12.12.2016	Winnie				
X.XXX	±0.2	⑨	Add page 2	08.09.2016	Jesse	ASSMANN WSW components			Drawing-No. ASS 1122 CO
DIM	TOL	⑧	Change the insulator material	09.07.2015	Jesse				rev13
ANG.°	±5°	Id.	Modification	Date	Name				SHEET 2/3
Angle	TOL								

1 2 3 4 5 6 7

A

B

C

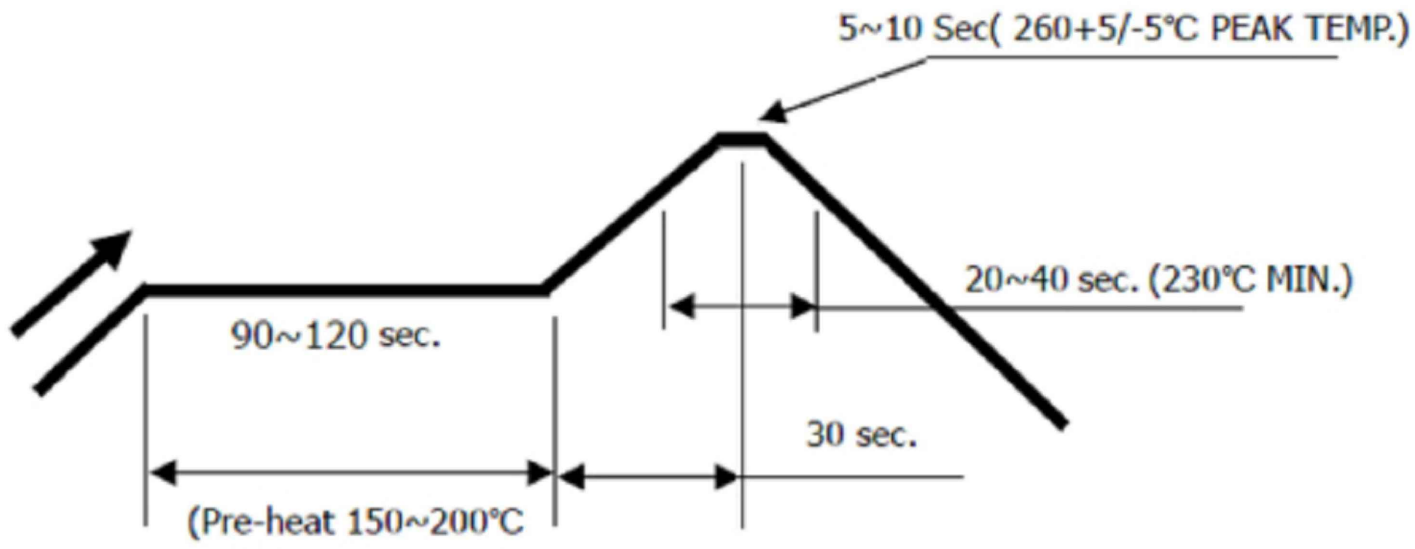
D

E

F

G

H



TEMPERATURE CONDITION GRAPH
(TEMPERATURE ON BOARD PATTERN SIDE)

RoHS compliant
Unit: mm

Scale	Free	⑬	Update housing material	18.11.2021	Luca		Date	Name	Customer-No.	
TOLERANCE		⑫	Update	30.10.2019	Carson	Drawn	27.03.2007	Hellwig	ASSMANN WSW-No. A-USB B/SMT A-USB B/SMT-R	
X.X	±0.5	⑪	Add reflow solder profile	12.12.2018	Xavier	Approved	18.11.2021	Luca		
X.XX	±0.3	⑩	Add the dimension of reel	12.12.2016	Winnie					
X.XXX	±0.2	⑨	Add page 2	08.09.2016	Jesse					
DIM	TOL	⑧	Change the insulator material	09.07.2015	Jesse				Drawing-No. ASS 1122 CO	
ANG.°	±5°	⑦								
Angle	TOL	Id.	Modification	Date	Name				Replace	SHEET 3/3



Drawing-No. ASS 1122 CO		rev13
Replace		
SHEET 3/3		