

1 2 3 4 5 6 7

A

B

C

D

E

F

G

H

A

B

C

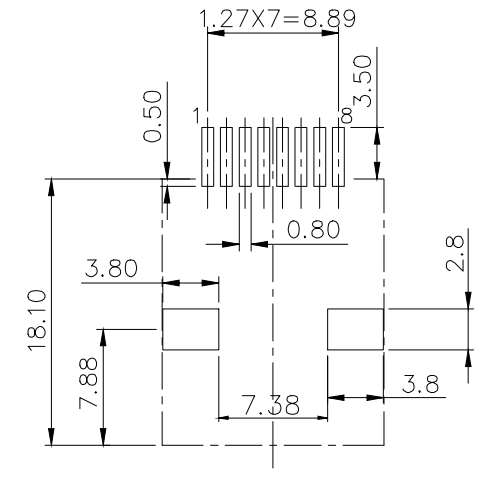
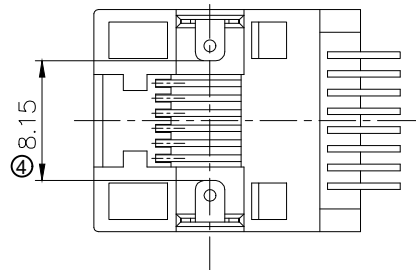
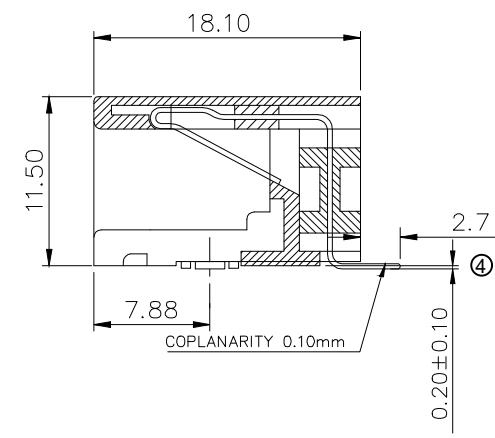
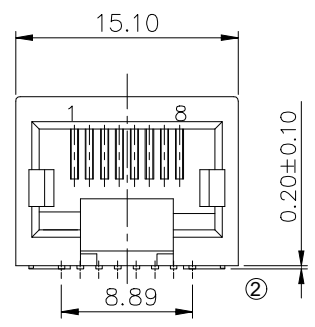
D

E

F

G

H



PC BOARD LAYOUT COMPONENT SIDE SHOWN

NOTES:

ELECTRICAL:

- 1. VOLTAGE RATING : 125 VAC RMS.
- 2. CURRENT RATING : 1.5 AMP.
- 3. CONTACT RESISTANCE : 35 MILLIOHMS MAX.
- 4. INSULATION RESISTANCE : 1000 MEGOHMS MIN @ 500 VDC.
- 5. DIELECTRIC STRENGTH : 1000 VAC RMS 60Hz, 1MIN.

MECHANICAL:

- 1. HOUSING MATERIAL : HIGHT TEMP UL94V-0 BK.
- 2. CONTACT MATERIAL : PHOSPHOR BRONZE t=0.35mm.
- ③3. PLATING : 6u" GOLD ON CONTACT AREA
100~200u" TIN ON SOLDER AREA
ALL OVER 30~50U" NICKEL.
- 4. OPERATING LIFE : 750 CYCLES MIN.
- 5. PCB RETENTION POST-SOLDER: 10 LBS MIN.

ENVIRONMENTAL:

- 1. STORAGE : -40°C TO +85°C.
- 2. OPERATION : -40°C TO +85°C.

RoHS compliant
Unit: mm



File No.: E345352

Scale	Free						Date	Name	Customer-No.
TOLERANCE						Drawn	15.07.2009	Dean	
.X	±0.20					Approved	12.10.2022	Segal	
.XX	±0.15	④	Update the pin structure	12.10.2022	Segal				ASSMANN WSW-No.
.XXX	±0.10	③	Update the contact plating	25.08.2015	Amy				A-20042-LP/SMT-B
DIM	TOL	②	Correct drawing	18.05.2010	Dean				Drawing-No.
Angle	±5°	①	Drawn	15.07.2009	Dean				ASS 1051B CO
		Id.	Modification	Date	Name				rev04
								Replace	SHEET

1 2 3 4 5 6 7