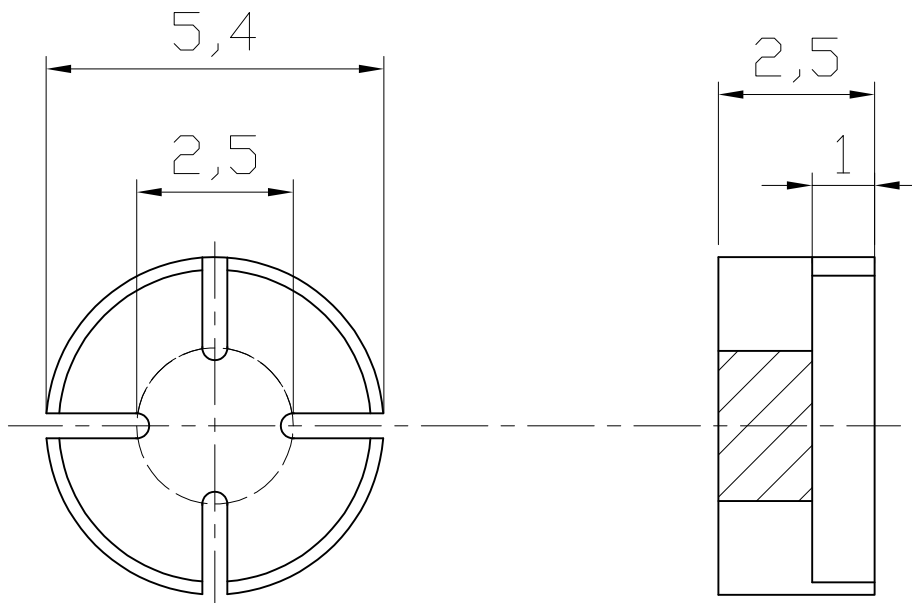


RoHS compliant



RoHS compliant
Unit:mm

Material : PA 6

Scale	free					Date	Name	Customer-No.
TOLERANCE					Drawn	20.08.2009	Dean	
X.	±X							
X.X	±X	④	Change Material	01.07.2021	Larsen	Approved	01.07.2021	Larsen
X.XX	±X	③	Material add.	31.05.2011	Schulz			
DIM	TOL	②	Modify drawing layout	10.03.2010	Alex			
X.°	±X°	①	Drawn	20.08.2009	Dean			
X.X°	±X°							
Angle	TOL	Id.	Modification	Date	Name			



ASSMANN WSW-No. **V4548**
 Drawing-No. **ASS 0923 HS** rev04
 Replace Sheet