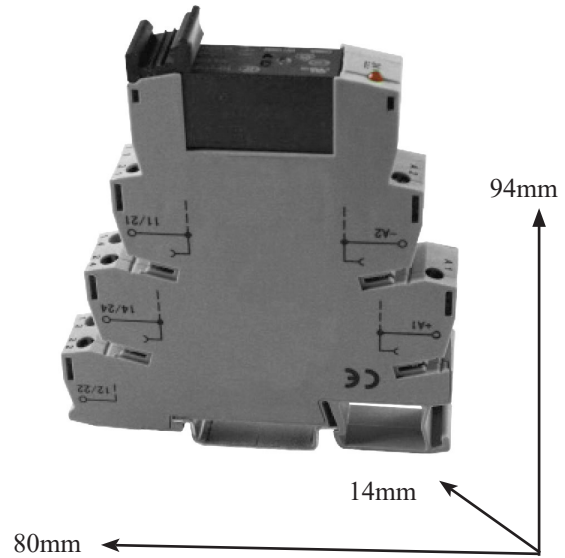


- Pluggable DPDT relay with DIN rail mount screw clamp terminal block base
- Space saving 14mm wide terminal block base
- Pluggable relay for easy replacement
- Plug-in Jumpers to easily connect common inputs and outputs
- Inductive kickback protection
- Circuit diagram on housing
- LED status display and protection diodes



Ordering Information		Input Technical Data - Coil	
Order Number	Type	Nominal Coil Voltage	Nominal Input Current
ASI328011	ASIUDK-PLC-RII12VDC	12Vdc±10%	35mA
ASI328012	ASIUDK-PLC-RII24VDC	24Vdc±10%	18mA
ASI328013	ASI-UDK-PLC-RII24VACDC	24Vac/dc±10%	18mA
ASI328014	ASI-UDK-PLC-RII48VDC	48Vdc±10%	16mA
ASI328015	ASI-UDK-PLC-RII60VDC	60Vdc±10%	16mA
ASI328017	ASI-UDK-PLC-RII120VACDC	120Vac/dc±10%	4.5mA
ASI328019	ASI-UDK-PLC-RII230VACDC	230Vac/dc±10%	4.5mA

Input Technical Data - Coil	
Operate Time (at Nominal Volt)	15ms
Release Time (at Nominal Volt)	8ms
Output Technical Data -Contact	
Type and Material	AgCdO
Rating Current (Resistive Load)	8A/250Vac, 8A/30Vdc
General Technical Data	
Operating Temperature	"-40°...+70°C"
Coil/Contact Isolation	4000Vac
Isolation between Output Terminals	1000Vac
Status Display	Red LED
Connection Terminals	26-14AWG
Accessories	
Plug-in jumper Blue, 500mm	ASI318002
Plug-in jumper Red, 500mm	ASI318001
Plug-in jumper Gray, 500mm	ASI318003
End Stop (snap-on)	ASIUD1B
DIN Rail - 7.5 x 35mm slotted	PR005
DIN Rail - 7.5 x 35mm non-slotted	PR003

