

Product Document

AS3709

Micro-PMIC with 5 DC/DCs and 2 LDOs

General Description

The AS3709 is an ultra compact Micro-PMIC containing 5 high-efficiency, constant-frequency synchronous buck converters in addition with two universal IO LDOs are available for lower current power rails. The wide input voltage range (2.7V to 5.5V), automatic power-save mode and minimal external component requirements make the AS3709 perfect for any single Li-Ion battery-powered or fixed 3.3V/5V supply application. Typical supply current with no load is 110µA and decreases to ≤7µA in shutdown mode. An internal synchronous switch increases efficiency and eliminates the need for an external Schottky diode. The internally fixed switching frequency (2MHz, 3MHz or 4MHz) allows the use of small surface mount external components. Very low output voltages can be delivered with the internal 0.6V feedback reference voltage. The AS3709 is available in a 32-pin QFN 4x4mm package and in a very compact WL-CSP36 with 0.4mm pitch.

Ordering Information and Content Guide appear at end of datasheet.

Key Benefits & Features

The benefits and features of AS3709, Micro-PMIC with 5 DC/DCs and 2 LDOs are listed below:

Figure 1:
Added Value of Using AS3709

Benefits	Features
<ul style="list-style-type: none"> • Compact design due to small coils for IO and memory voltage generation 	<ul style="list-style-type: none"> • 5 DC/DC step down regulators (2-4MHz)
<ul style="list-style-type: none"> • Independent voltage rails for general purpose IO supplies 	<ul style="list-style-type: none"> • 2 universal IO LDOs
<ul style="list-style-type: none"> • Flexible and fast adaptation to different processors/applications 	<ul style="list-style-type: none"> • OTP programmable boot sequence
<ul style="list-style-type: none"> • Power saving control according to the processor's needs. 	<ul style="list-style-type: none"> • Stand-by function with selectable rails and programmable voltages
<ul style="list-style-type: none"> • Self-contained start-up and control for single-cell battery applications. Safety shutdown feature. 	<ul style="list-style-type: none"> • Control Interface • I²C control lines • ON key with 4s/8s emergency shut-down • POR with RESET I/O
<ul style="list-style-type: none"> • Dedicated packages for specific applications. Optimization for PCB cost or size. 	<ul style="list-style-type: none"> • 32-pin QFN (4mmx4mm), 0.4mm pitch • 36-ball WL-CSP 0.4mm pitch

Applications

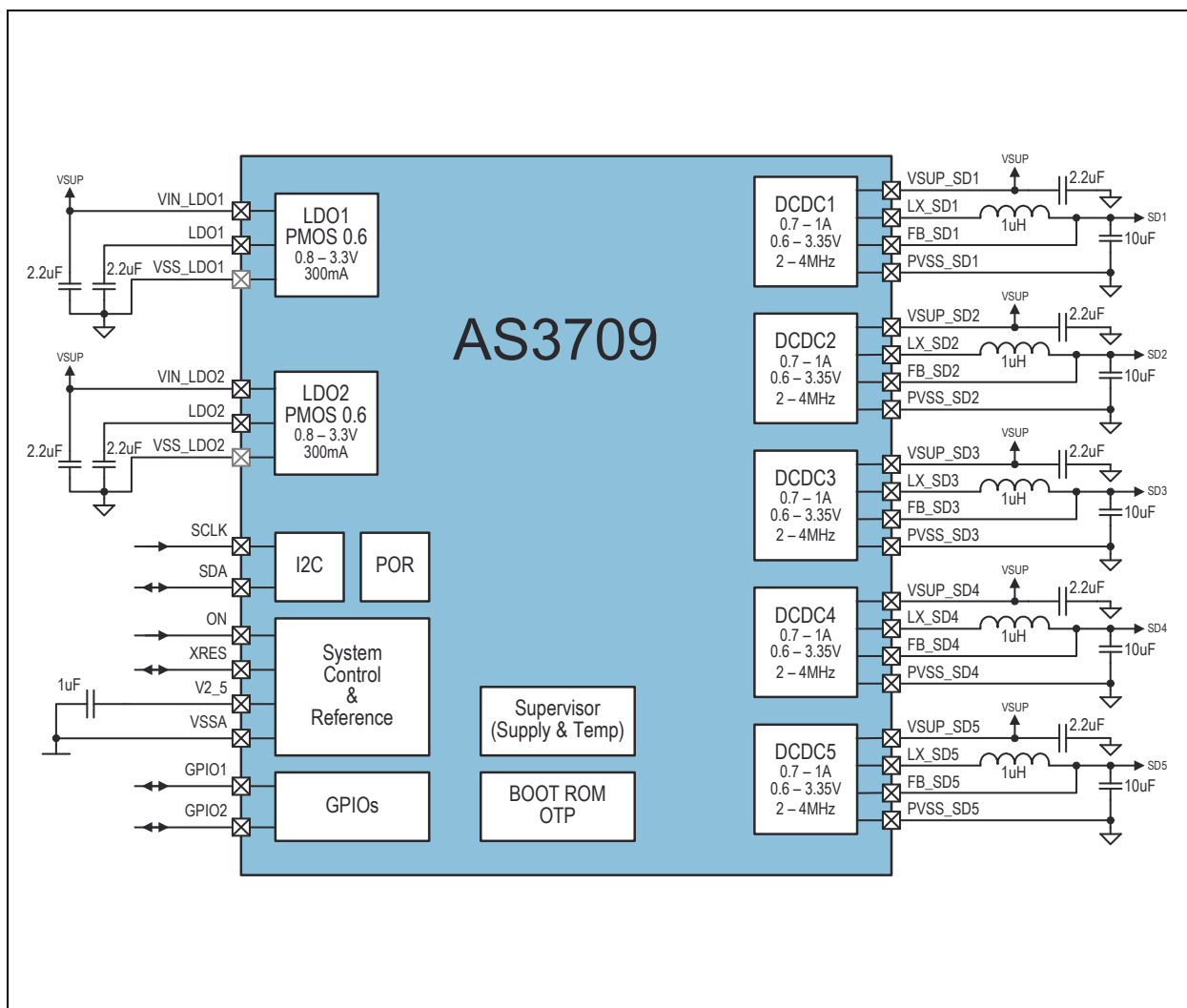
The device is ideal for:

- SSDs, mobile communication devices
- Laptops and PDAs
- Ultra-low-power systems
- Medical instruments or any other space-limited application with low power-consumption requirements.

Block Diagram

The functional blocks of this device are shown below:

Figure 2:
AS3709 Block Diagram



Pin Assignments

The AS3709 pin assignments are described below.

Ball Assignments: Shows the top view ball assignment of the AS3709 WL-CSP.

Figure 3:
36 Balls WL-CSP with 0.4mm Pitch

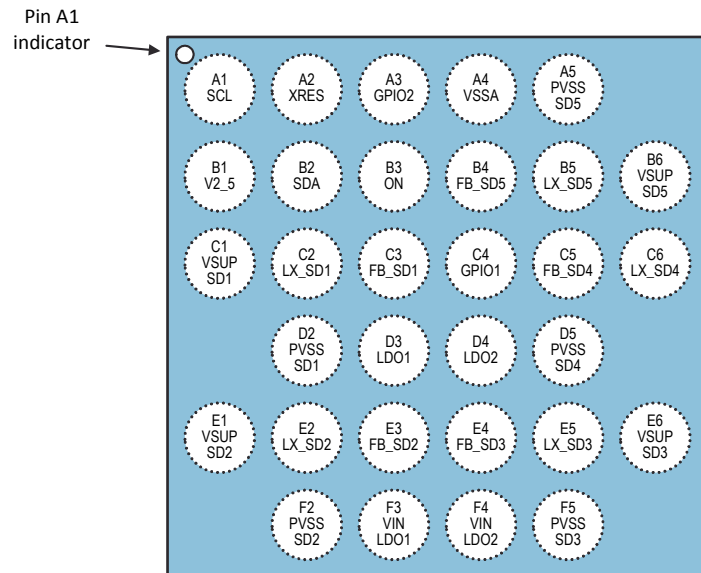


Figure 4:
32 Pins QFN 4x4 with 0.4mm Pitch

Pin Assignment: Shows the top view pin assignment of the AS3709 QFN package.

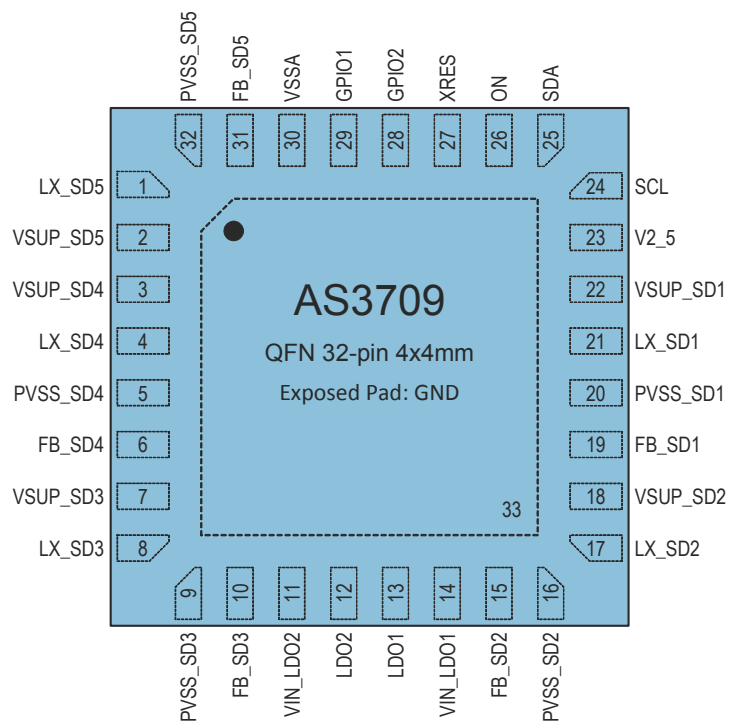


Figure 5:
Pin Description

Pin Number		Pin Name	Pin Type	Description	If Not Used
QFN	WL-CSP				
1	B5	LX_SD5	DIG OUT	DC/DC SD5 switch output to coil	Open
2	B6	VSUP_SD5	SUP IN	DC/DC SD5 pos supply terminal	Always needed
3	B6	VSUP_SD4	SUP IN	DC/DC SD4 pos supply terminal	Always needed
4	C6	LX_SD4	DIG OUT	DC/DC SD4 switch output to coil	Open
5	D5	PVSS_SD4	GND	DC/DC SD4 neg supply terminal	Always needed
6	C5	FB_SD4	ANA IN	DC/DC SD4 Feedback pin	Open
7	E6	VSUP_SD3	SUP IN	DC/DC SD3 pos supply terminal	Always needed
8	E5	LX_SD3	DIG OUT	DC/DC SD3 switch output to coil	Open
9	F5	PVSS_SD3	GND	DC/DC SD3 neg supply terminal	Always needed
10	E4	FB_SD3	ANA IN	DC/DC SD3 Feedback pin	Open
11	F4	VIN_LDO2	SUP IN	Supply pin for LDO2	Always needed
12	D4	LDO2	ANA OUT	Output Voltage of LDO2	Open
13	D3	LDO1	ANA OUT	Output Voltage of LDO1	Open
14	F3	VIN_LDO1	SUP IN	Supply pin for LDO1	Always needed
15	E3	FB_SD2	ANA IN	DC/DC SD2 Feedback pin	Open
16	F2	PVSS_SD2	GND	DC/DC SD2 neg supply terminal	Always needed
17	E2	LX_SD2	DIG OUT	DC/DC SD2 switch output to coil	Open
18	E1	VSUP_SD2	SUP IN	DC/DC SD2 pos supply terminal	Always needed
19	C3	FB_SD1	ANA IN	DC/DC SD1 Feedback pin	Open
20	D2	PVSS_SD1	GND	DC/DC SD1 neg supply terminal	Always needed
21	C2	LX_SD1	DIG OUT	DC/DC SD1 switch output to coil	Open
22	C1	VSUP_SD1	SUP IN	DC/DC SD1 pos supply terminal	Always needed
23	B1	V2_5	ANA OUT	Internal 2.5V regulator output	Always needed
24	A1	SCL	DIG IN	2-wire Serial IF Clock Input	Pull-up to V2_5
25	B2	SDA	DIG IO	2-wire Serial IF Data IO	Pull-up to V2_5
26	B3	ON	DIG IN	Power Up Input	Open
27	A2	XRES	DIG IO	Reset IO, external pull-up resistor needed	Always needed

Pin Number		Pin Name	Pin Type	Description	If Not Used
QFN	WL-CSP				
28	A3	GPIO2	ANA IO	General Purpose IO 2	Open
29	C4	GPIO1	ANA IO	General Purpose IO 1	Open
30	A4	VSSA	GND	GND Reference for analog blocks	Always needed
31	B4	FB_SD5	ANA IN	DC/DC SD5 Feedback pin	Open
32	A5	PVSS_SD5	GND	DC/DC SD5 neg supply terminal	Always needed
33		VSS	GND	Exposed Pad	Always needed

Absolute Maximum Ratings

Stresses beyond those listed under [Absolute Maximum Ratings](#) may cause permanent damage to the device. These are stress ratings only. Functional operation of the device at these or any other conditions beyond those indicated under [Electrical Characteristics](#) is not implied. Exposure to absolute maximum rating conditions for extended periods may affect device reliability.

Figure 6:
Absolute Maximum Ratings

Symbol	Parameter	Min	Max	Units	Comments
Electrical Parameters					
	Supply Voltage to Ground 5V Pins	-0.5	7.0	V	Applicable for pins: VSUP_SDx, VIN_LDOx, SCLK, SDA, ON, XRES, GPIOx, LX_SDx
	Supply Voltage to Ground 3V Pins	-0.5	5.0	V	Applicable for pins: V2_5, LDOx, FB_SDx
	Voltage Difference between Ground Terminals	-0.3	0.3	V	Applicable for pins: VSSA, PVSS_SDx, Exposed Pad
	Input Current (latch-up immunity)	-100	100	mA	JEDEC JESD78
Continuous Power Dissipation (T_A = 70°C)					
P _T	Continuous Power Dissipation		1.2	W	P _T ⁽¹⁾ for QFN32 package (R _{THJA} ~ 45K/W)
			1.1	W	P _T ⁽¹⁾ for WL-CSP36 package (R _{THJA} ~ 50K/W)
Electrostatic Discharge					
ESD _{HBM}	Electrostatic Discharge HBM	±2		kV	JEDEC JESD22-A114F
Temperature Ranges and Storage Conditions					
T _A	Operating Temperature	-40	85	°C	
T _J	Junction Temperature		125	°C	
T _{STRG}	Storage Temperature Range	-55	150	°C	QFN
		-55	125	°C	WL-CSP
RH _{NC}	Relative Humidity (non-condensing)	5	85	%	

Symbol	Parameter	Min	Max	Units	Comments
Temperature (Soldering)					
T _{BODY}	Package Body Temperature		260	°C	32-pin QFN: Norm IPC/JEDEC J-STD-020 ⁽²⁾ The lead finish for Pb-free leaded packages is matte tin (100% Sn)
			260	°C	36-ball WL-CSP: Norm IPC/JEDEC J-STD-020 ⁽²⁾
MSL	Moisture Sensitivity Level	3			Represents a maximum floor life time of 168h (QFN)
		1			Represents an unlimited floor life time (WL-CSP)

Note(s):

1. Depending on actual PCB layout and PCB used.
2. The reflow peak soldering temperature (body temperature) is specified according IPC/JEDEC J-STD-020 "Moisture/Reflow Sensitivity Classification for Non hermetic Solid State Surface Mount Devices"

Electrical Characteristics

All limits are guaranteed. The parameters with min and max values are guaranteed with production tests or SQC (Statistical Quality Control) methods.

Figure 7:
Electrical Characteristics

Symbol	Parameter	Conditions	Min	Typ	Max	Unit
V_{IN}	Input Voltage Range	Pin V_{SUP}	2.7		5.5	V
I_Q	Quiescent Current	Normal operating current. With bit Low_power_on = 0; only V2_5 active		155	200	μA
$I_{LOWPOWER}$	Low-Power Quiescent Current	Normal operating current. With bit Low_power_on = 1; only V2_5 active		110		
$I_{POWEROFF}$	Shutdown Current	With bit power_off = 1; only V2_5 is active in power OFF mode. Not tested, guaranteed by design		7	20	

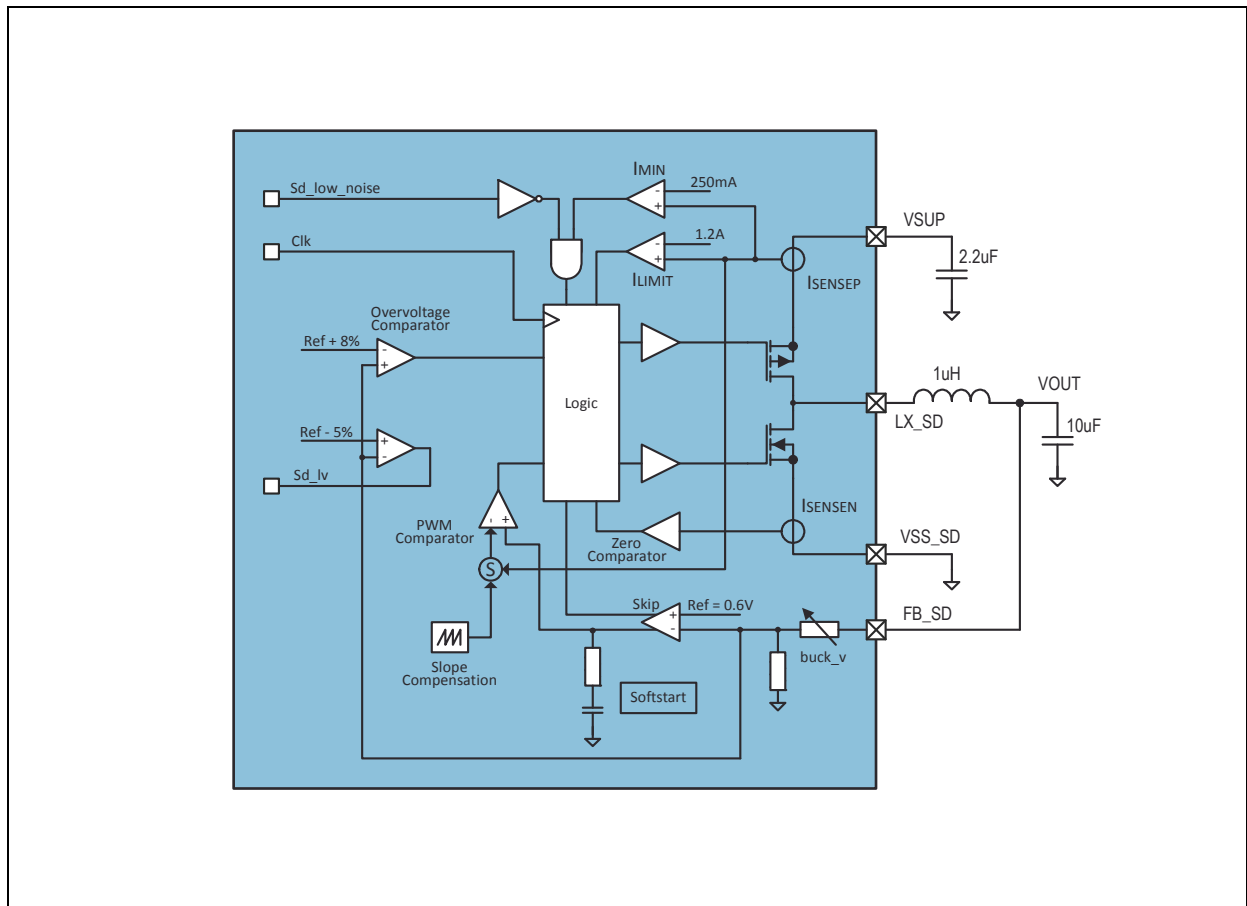
Electrical Characteristics: $V_{SUP} = 3.7V$, $V_{OUT} < V_{IN} - 0.5V$, $T_A = -40^{\circ}C$ to $85^{\circ}C$, typ. values @ $T_A = 25^{\circ}C$ (unless otherwise specified)

Detailed Description - Power Management Functions

Step Down DC/DC Converter

The step-down converter is a high-efficiency fixed frequency current mode regulator. By using low resistance internal PMOS and NMOS switches, efficiency up to 95% can be achieved. The fast switching frequency allows using small inductors, without increasing the current ripple. The unique feedback and regulation circuit guarantees optimum load and line regulation over the whole output voltage range, up to an output current of 1A, with an output capacitor of only 10µF. The implemented current limitation protects the DC/DC Converter and the coil during overload condition.

Figure 8:
Step Down DC/DC Converter Block Diagram



Mode Settings

To allow optimized performance in different applications, there are bit settings possible, to get the best compromise between high efficiency and low input/output ripple.

Low-Ripple, Low-Noise Operation

Low-ripple, low-noise operation can be enabled by setting bit *sd_low_noise* = 1.

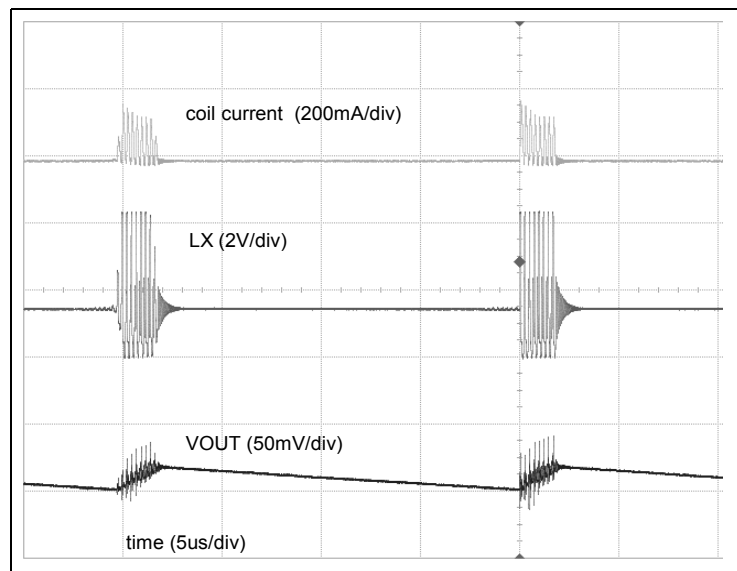
In this mode there is no minimum coil current necessary before switching OFF the PMOS. As long as the load current is superior to the ripple current, the device operates in continuous mode. When the load current gets lower, the discontinuous mode is triggered. Resultant the auto-zero comparator stops the NMOS conduction to avoid load discharger and the duty cycle is reduced down to t_{MIN_ON} to keep the regulation loop stable. This results in a very low ripple and noise, but decreased efficiency at light loads, especially at low input to output voltage differences.

Only in the case the load current gets so small, that less than the minimum on time of the PMOS would be needed to keep the loop in regulation, the regulator will enter low power mode operation.

The crossover point is about 15mA for $V_{IN} = 3V$, $V_{OUT} = 1.2V$, $1\mu H$, 4MHz.

Figure 9:
DC/DC Buck Low Noise Mode

DC/DC Buck Low Noise Mode: Shows the DC/DC switching waveforms for low noise operation.



High-Efficiency Operation (Default Setting)

High-efficiency operation is enabled by setting bit *sd_low_noise* = 0.

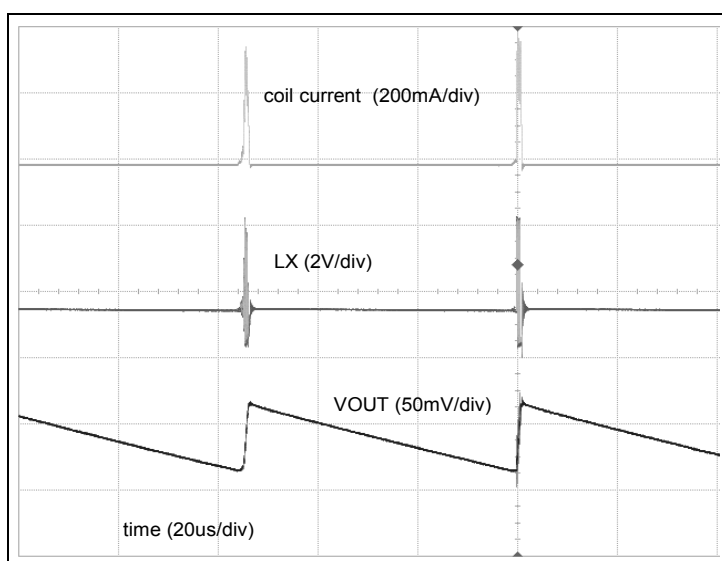
In this mode there is a minimum coil current necessary before switching OFF the PMOS. Resultant there are less pulses necessary at low output loads, and therefore the efficiency increases. As drawback, this mode increases the ripple up to a higher output current.

The crossover point to low power mode is already reached at reasonable high output currents. (e.g. @110mA for $V_{IN} = 3V$, $V_{OUT} = 1.2V$, $1\mu H$, 4MHz)

Figure 10:
DC/DC Buck High Efficiency Mode

DC/DC Buck High Efficiency Mode:

Shows the DC/DC switching waveforms for high efficiency operation

**Low Power Mode Operation (Automatically Controlled)**

As soon as the output voltage stays above the desired target value for a certain time, some internal blocks will be powered down leaving the output floating to lower the power consumption. Normal operation starts as soon as the output drops below the target value for a similar amount of time. To minimize the accuracy error some internal circuits are kept powered to assure a minimized output voltage ripple.

Two additional guard bands, based on comparators, are set at $\pm 5\%$ of the target value to react quickly on large over/undershoots by immediately turning on the output drivers without the normal time delays. This ensures a minimized ripple also in very extreme load conditions.

DVM (Dynamic Voltage Management)

To minimize the over-/undershoot during a change of the output voltage, the DVM can be enabled. With DVM the output voltage will ramp up/down with a selectable slope after the new value was written to the registers. Without DVM the slew rate of the output voltage is only determined by external components like the coil and load capacitor as well as the load current.

DVM can be selected for all step-down converters, but only for one at a time. (see *sd_dvm_select* and *dvm_time* description)

Fast Regulation Mode

This mode can be used to react faster on sudden load changes and thus minimize the over-/undershoot of the output voltage. This mode needs a 22 μ F output capacitor instead the 10 μ F one to guarantee the stability of the regulator.

The mode is enabled by setting *sd_fast* = 1.

Selectable Frequency Operation

Especially for very low load conditions, e.g. during a sleep mode of a processor, the switching frequency can be reduced to achieve a higher efficiency. The frequency can be set to 2, 3 or 4MHz and this mode is selected by setting *sd_freq* and *sd_fsel* to the appropriate values.

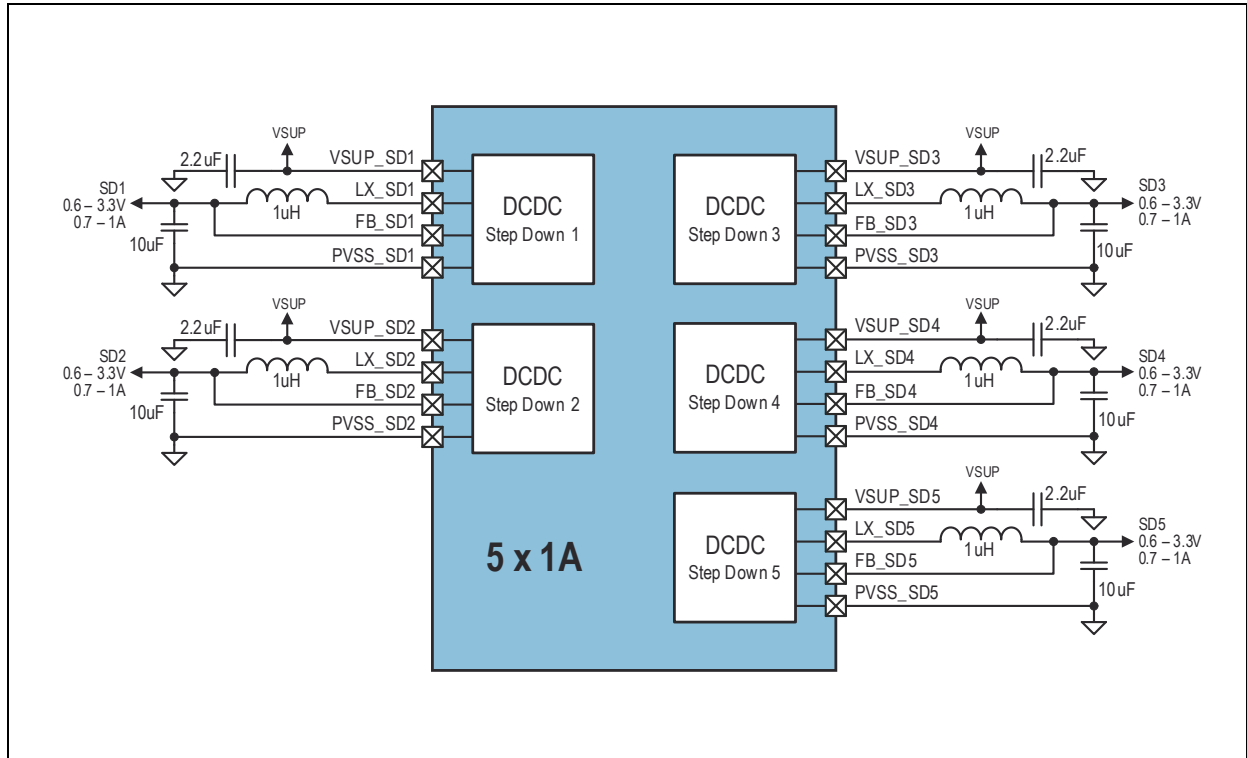
100% PMOS ON Mode for Low Dropout Regulation

For low input to output voltage difference the DC/DC converter can use 100% duty cycle for the PMOS transistor, which is then in LDO mode.

Step Down Converter Configuration Modes

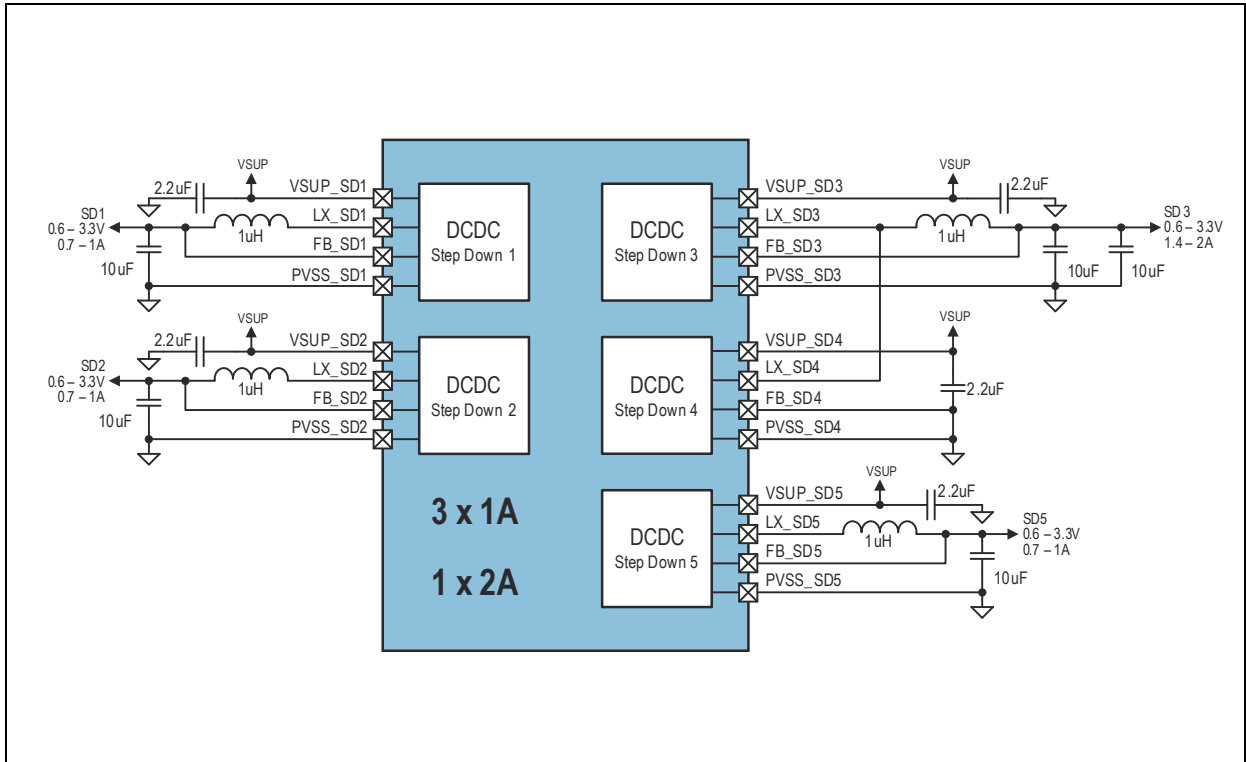
The step down dc/dc converters have two configuration modes to deliver different output currents for the applications. The operating mode is selected by setting the bit *sd2_slave*, *sd4_slave* and *sd5_slave* (the default is set by the Boot-OTP).

Figure 11:
DC/DC Step Down Normal Operating Mode



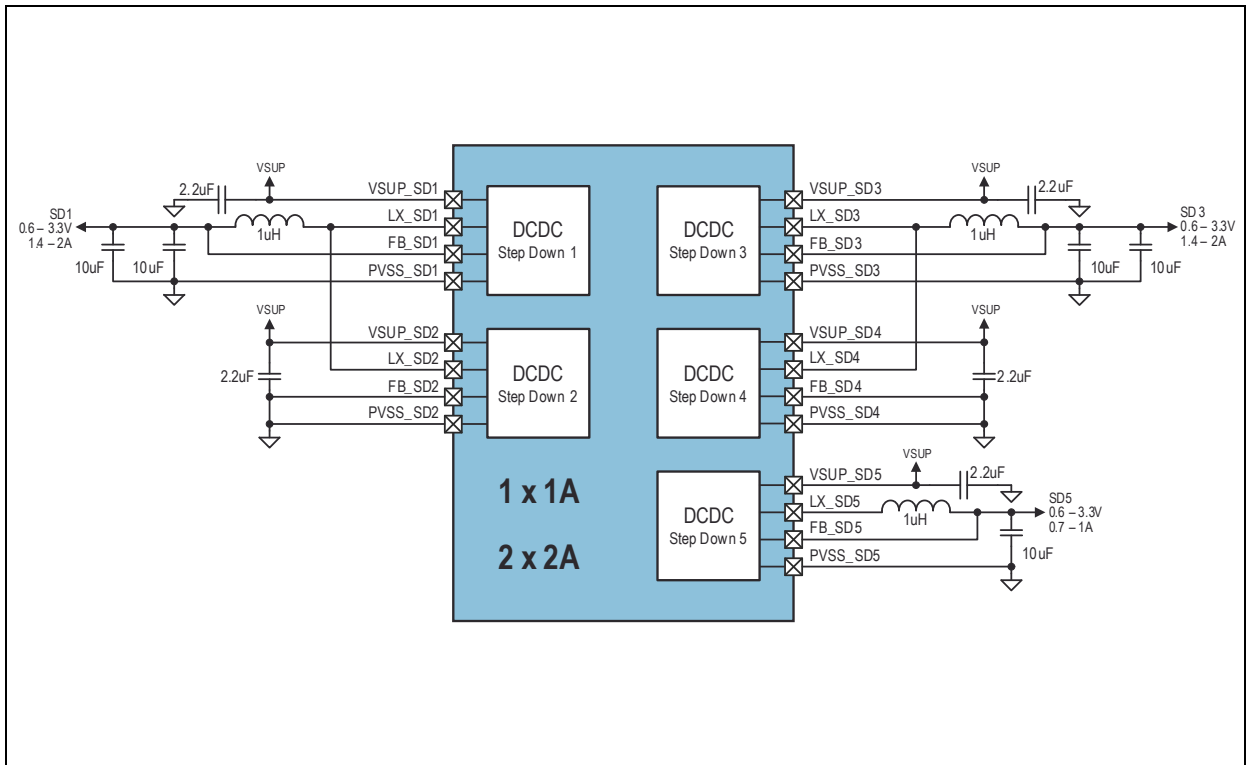
Normal Operating Mode: *sd2_slave* = 0, *sd4_slave* = 0, *sd5_slave* = 0

Figure 12:
DC/DC Step Down SD3/SD4 Operating Mode



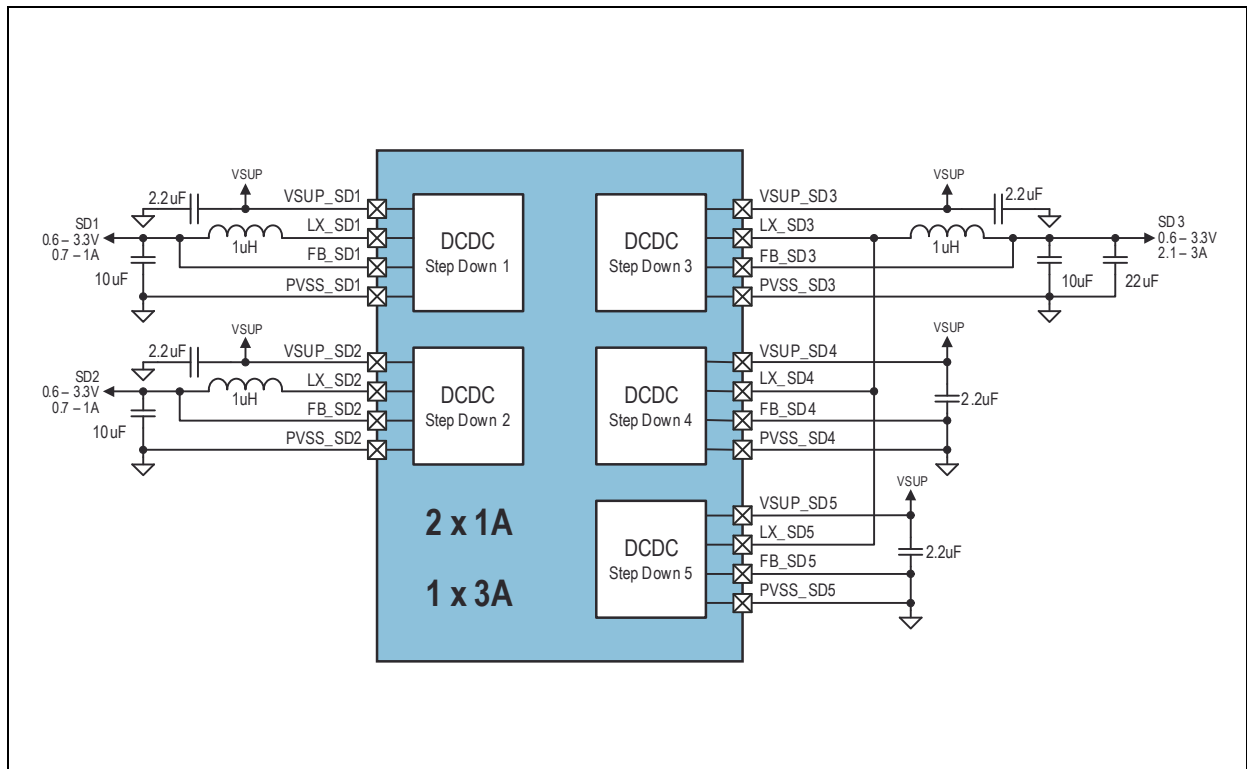
SD3/SD4 Operating Mode: sd2_slave = 0, sd4_slave = 1, sd5_slave = 0

Figure 13:
DC/DC Step Down SD1/SD2 & SD3/SD4 Operating Mode



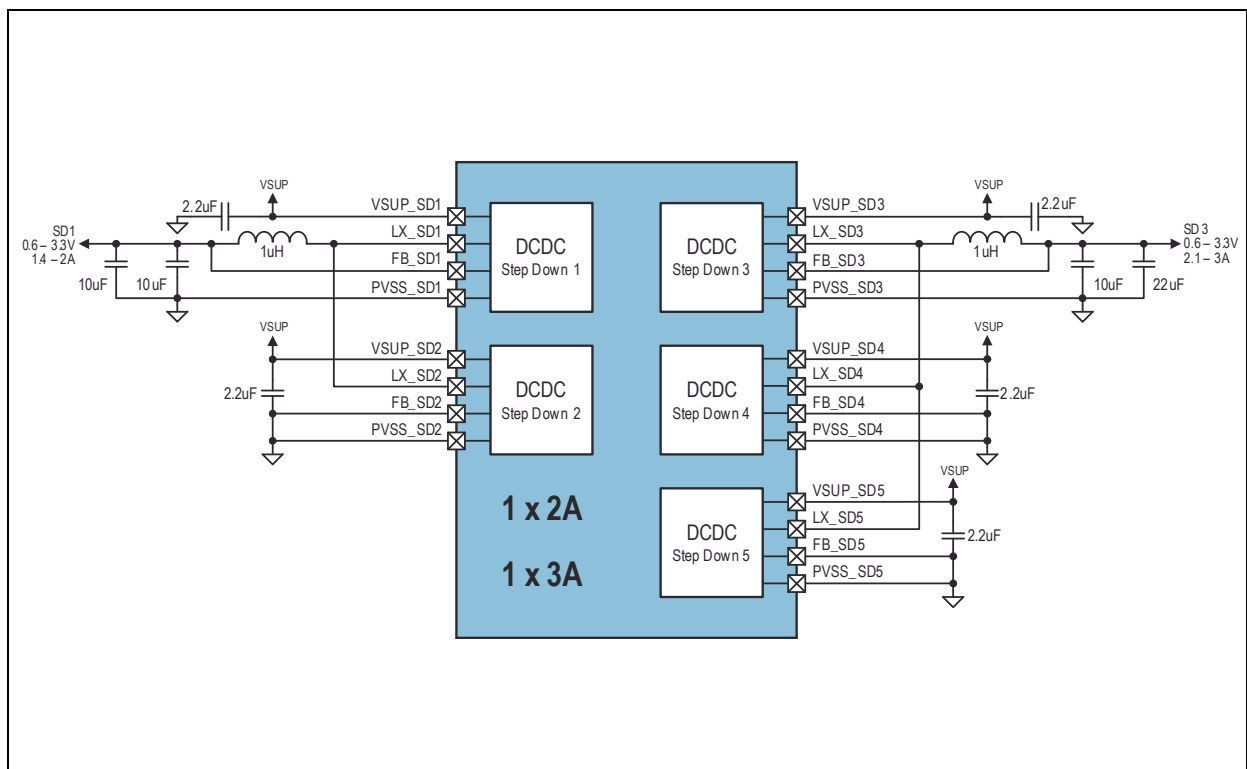
SD3/SD4 & SD4/SD5 Operating Mode: sd2_slave = 1, sd4_slave = 1, sd5_slave = 0

Figure 14:
DC/DC Step Down SD3/SD4/SD5 Operating Mode



SD3/SD4/SD5 Operating Mode: sd2_slave = 0, sd4_slave = 1, sd5_slave = 1

Figure 15:
DC/DC Step Down SD1/SD2 & SD3/SD4/SD5 Operating



SD1/SD2 & SD3/SD4/SD5 Operating Mode: sd2_slave = 1, sd4_slave = 1, sd5_slave = 1

Parameters

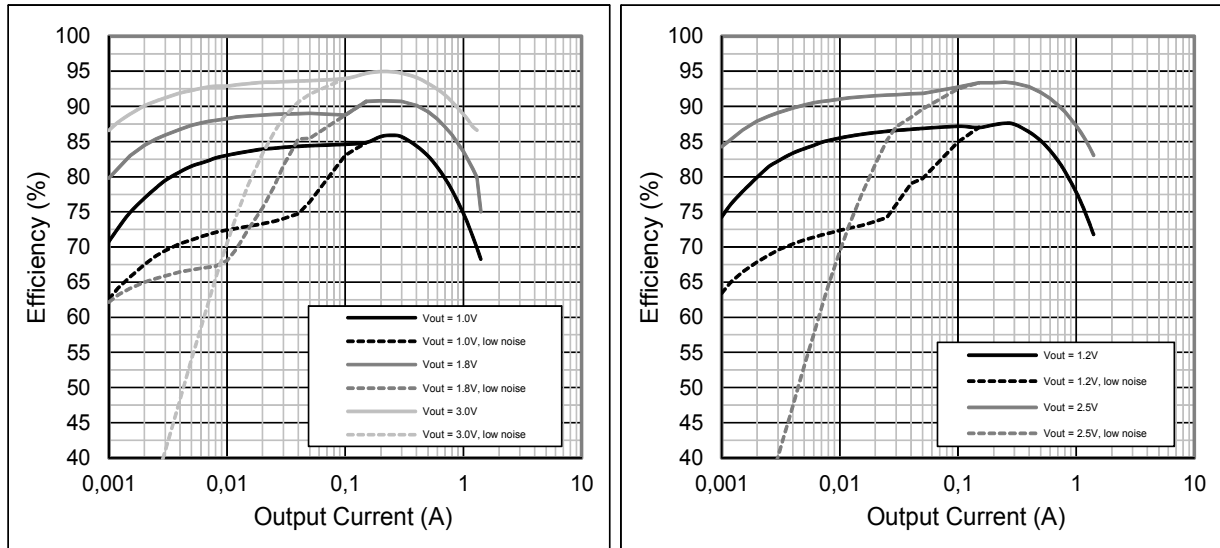
Figure 16:
Step Down DC/DC Converter Electrical Characteristics

Symbol	Parameter	Conditions	Min	Typ	Max	Unit
V_{IN}	Input Voltage	Pin V_{SUP}	2.7		5.5	V
V_{OUT}	Regulated Output Voltage		0.6125		3.35	V
V_{OUT_TOL}	Output Voltage Tolerance	min. 40mV	-3		+3	%
I_{LIMIT}	Current Limit			1.2		A
R_{PMOS}	P-Switch ON Resistance			0.25	0.5	Ω
R_{NMOS}	N-Switch ON Resistance			0.25	0.5	Ω
f_{SW}	Switching Frequency	$sdX_frequ = 1$ $sdX_fsel = 1$ $fclk_int = 4MHz$		4		MHz
		$sdX_frequ = 1$ $sdX_fsel = 0$ $fclk_int = 4MHz$		3		MHz
		$sdX_frequ = 0$ $sdX_fsel = 0$ $fclk_int = 4MHz$		2		MHz
I_{LOAD}	Load Current	$V_{OUT} \leq 1.8V$	0		1	A
		$V_{OUT} > 1.8V$	0		0.7	
$I_{SUP_DC/DC}$	Current Consumption	Operating current without load		60		μA
		Shutdown current		0.1		
t_{MIN_ON}	Minimum ON Time			40		ns
η_{EFF}	Efficiency	See figures below				%

Figure 17:
Step Down DC/DC External Components

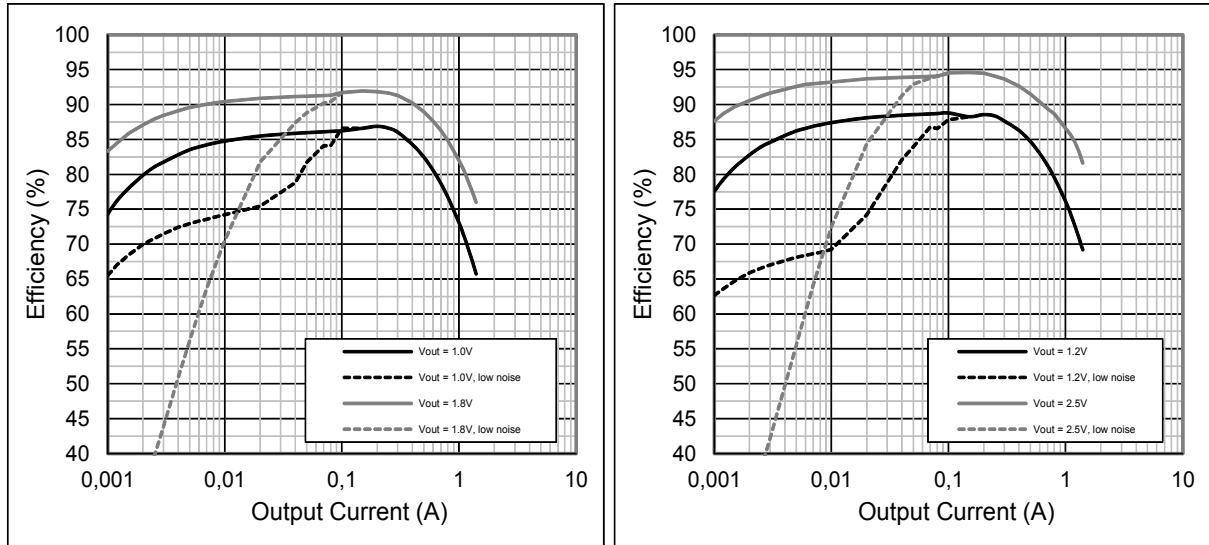
Symbol	Parameter	Conditions	Min	Typ	Max	Unit
C_{FB_SDx}	Output Capacitor	Ceramic X5R or X7R	8	10		μF
$C_{V\text{SUP}_SDx}$	Input Capacitor	Ceramic X5R or X7R		2.2		μF
L_{SDx}	Inductor	4MHz operation		1		μH
		3MHz operation		1		
		2MHz operation		2.2		

Figure 18:
DC/DC SD1 Efficiency vs. Output Current



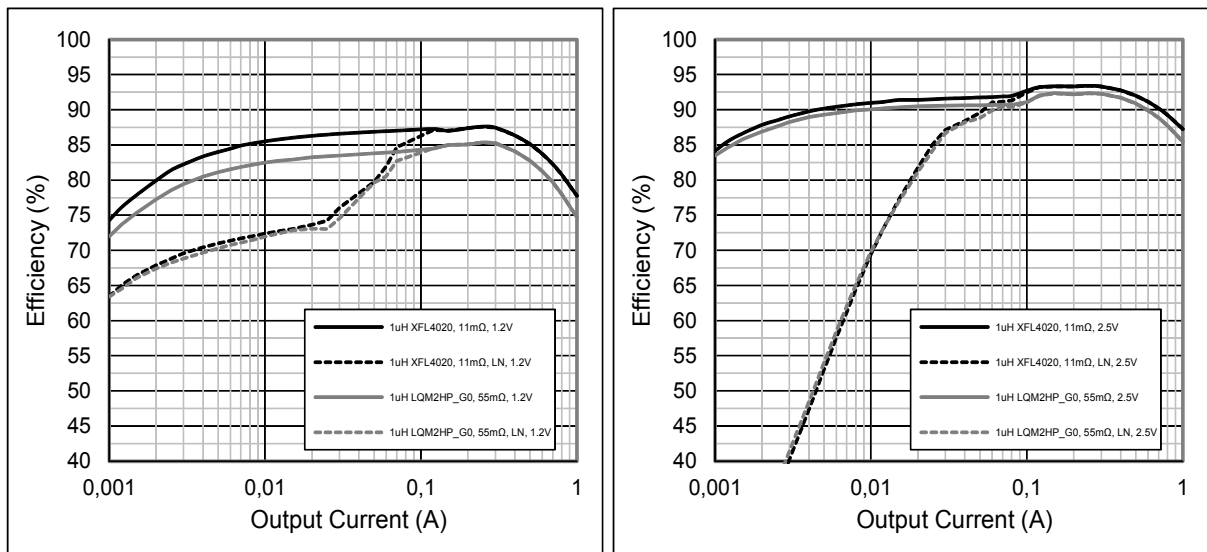
SD1 Efficiency vs. Output Current: $V_{IN} = 3.7V$, 3MHz operation, XFL4020 $1\mu H$ coil, $T_A = 25^\circ C$

Figure 19:
DC/DC SD1 Efficiency vs. Output Current



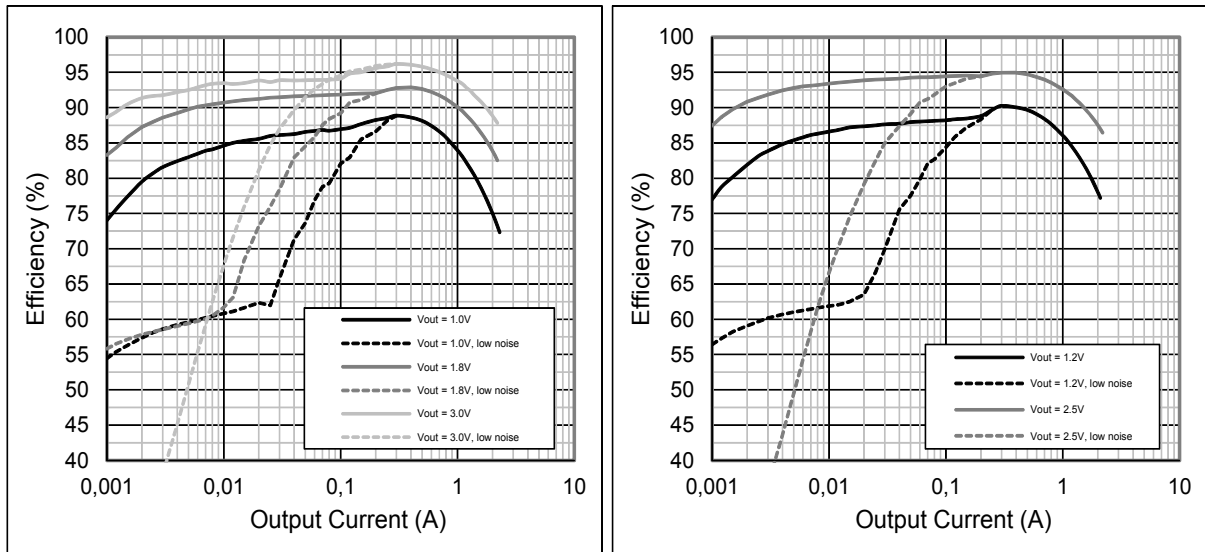
SD1 Efficiency vs. Output Current: $V_{IN} = 3.0V$, 3MHz operation, XFL4020 1 μ H coil, $T_A = 25^\circ C$

Figure 20:
DC/DC SD1 Efficiency vs. Output Current



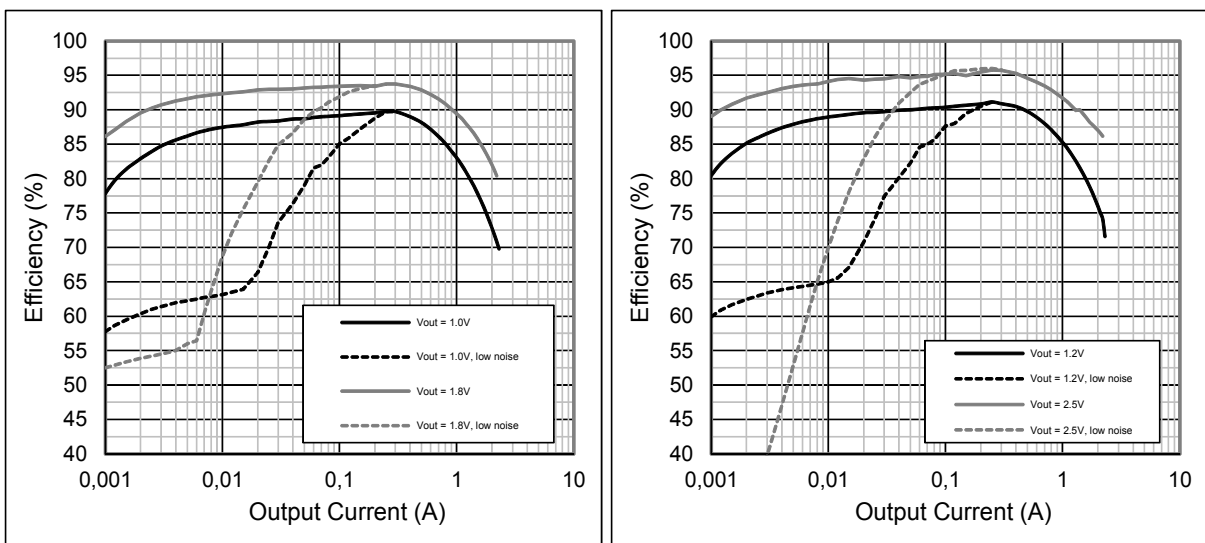
SD1 Efficiency vs. Output Current: $V_{IN} = 3.7V$, $V_{OUT} = 1.2V/2.5V$, 3MHz operation, $T_A = 25^\circ C$

Figure 21:
DC/DC SD1 + SD2 Efficiency vs. Output Current



SD1 + SD2 Efficiency vs. Output Current: $V_{IN} = 3.7V$, 3MHz operation, XFL4020 1 μ H coil, $T_A = 25^\circ C$

Figure 22:
DC/DC SD1 + SD2 Efficiency vs. Output Current



SD1 + SD2 Efficiency vs. Output Current: $V_{IN} = 3.0V$, 3MHz operation, XFL4020 1 μ H coil, $T_A = 25^\circ C$

Figure 23:
DC/DC SD1 + SD2 Efficiency vs. Output Current

SD1 + SD2 Efficiency vs. Output Current:
Current: $V_{IN} = 3.7V$, $V_{OUT} = 1.2V$, 3MHz operation, $T_A = 25^\circ C$

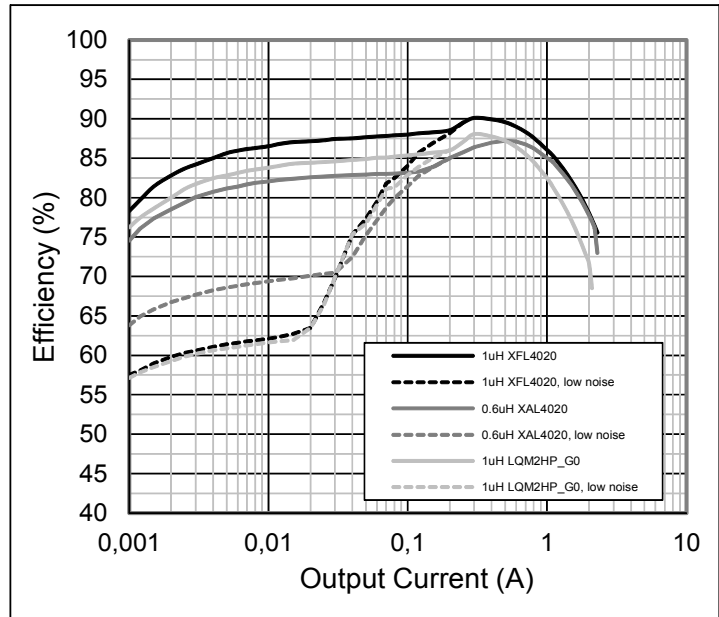
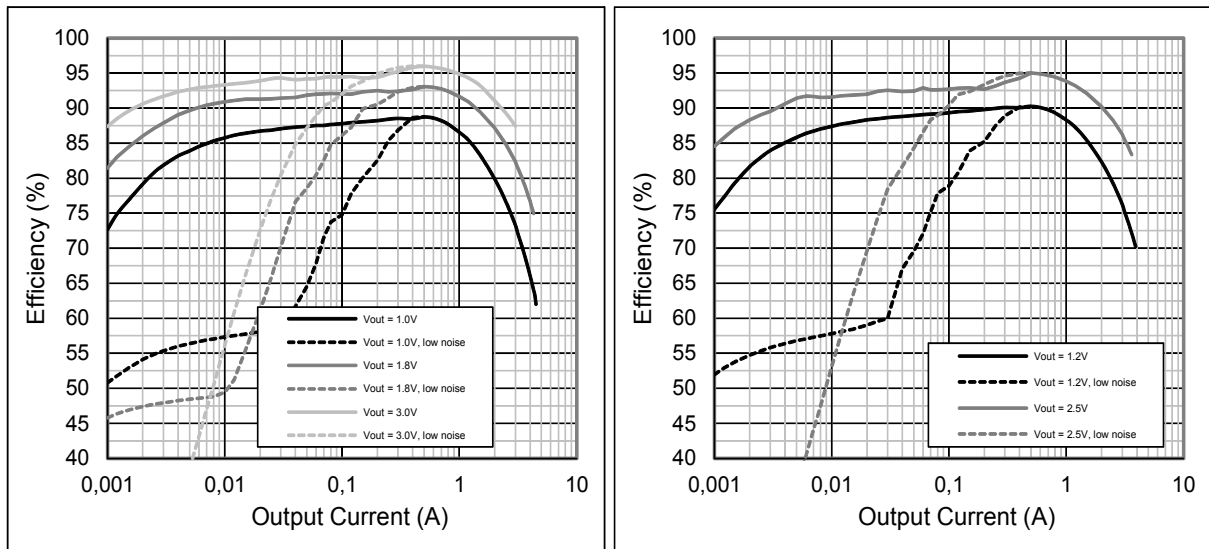
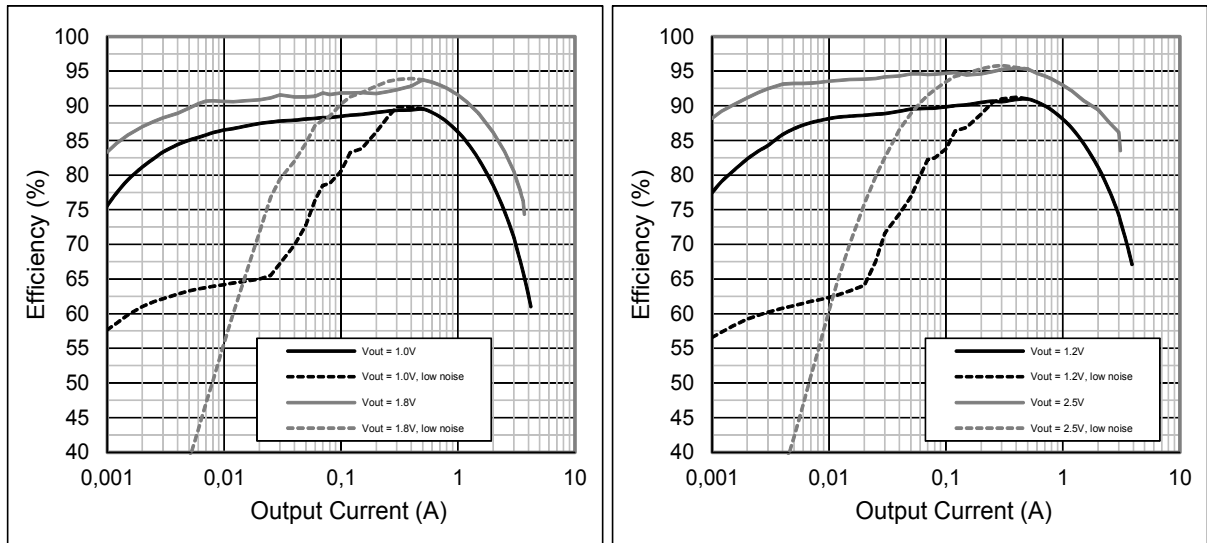


Figure 24:
DC/DC SD3 + SD4 + SD5 Efficiency vs. Output Current



SD3 + SD4 + SD5 Efficiency vs. Output Current: $V_{IN} = 3.7V$, 3MHz operation, XFL4020 1 μH coil, $T_A = 25^\circ C$

Figure 25:
DC/DC SD3 + SD4 + SD5 Efficiency vs. Output Current



SD3 + SD4 + SD5 Efficiency vs. Output Current: $V_{IN} = 3.0V$, 3MHz operation, XFL4020 1 μ H coil, $T_A = 25^\circ C$

Figure 26:
DC/DC SD3 + SD4 + SD5 Efficiency vs. Output Current

SD3 + SD4 + SD5 Efficiency vs. Output Current: $V_{IN} = 3.7V$, $V_{OUT} = 1.2V$, 3MHz operation, $T_A = 25^\circ C$

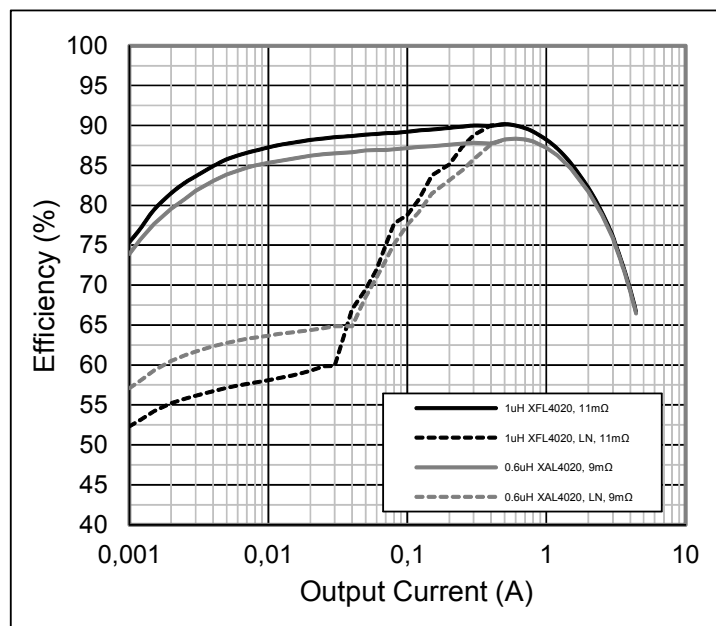
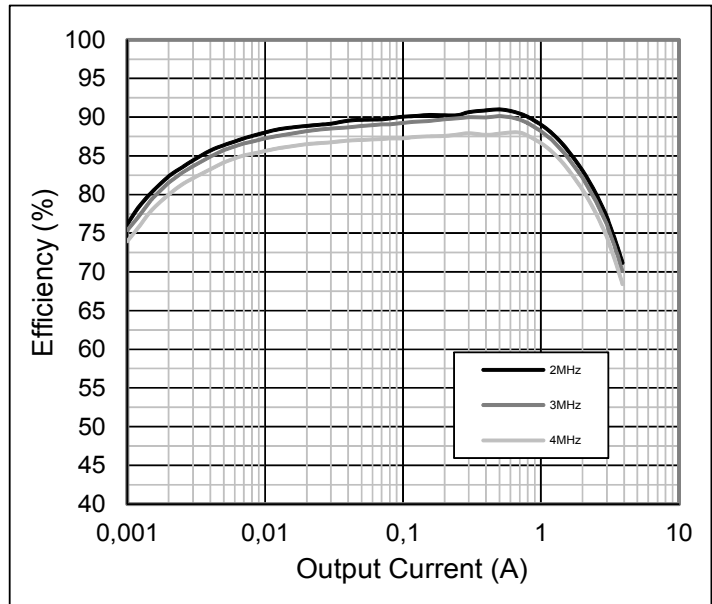


Figure 27:
DC/DC SD3 + SD4 + SD5 Efficiency vs. Output Current

SD3 + SD4 + SD5 Efficiency vs. Output Current
Current: $V_{IN} = 3.7V$, $V_{OUT} = 1.2V$,
 XFL4020 1 μ H coil, $T_A = 25^{\circ}C$

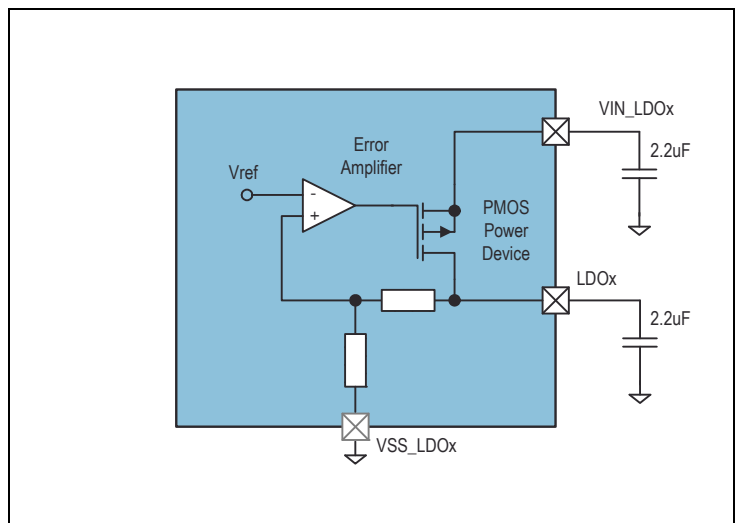


Universal IO LDO Regulators

2 universal IO range LDOs offer a wide input (1.8V to 5.5V) as well as a wide output (0.8 to 3.3V) voltage range to be used for general purpose peripheral supply. Up to 300mA possible output currents are offered with good noise and regulation performance and very low quiescent current even suitable for stand-by power supply.

Figure 28:
Universal IO LDO Block Diagram

AS3709 LDO: Shows the detailed Universal IO LDO Block Diagram



Parameter

Figure 29:
Universal IO LDO Electrical Characteristics

Symbol	Parameter	Note	Min	Typ	Max	Unit
V_{IN}	Input Voltage Range	Pin VIN_LDOx	1.75		5.5	V
V_{OUT_TOL}	Output Voltage Tolerance	Min. 40mV	-3		+3	%
V_{OUT}	Output Voltage Range	Pin LDOx $I_{OUT} < 150\text{mA}$, 25mV steps	0.825		3.3	V
I_{OUT_L}	Output Current ⁽¹⁾	$I_{doX_ilimit} = 0$ (150mA)	0		150	mA
I_{LIMIT_L}	Current Limit ⁽¹⁾			300		mA
I_{OUT_H}	Output Current ⁽¹⁾	$I_{doX_ilimit} = 1$ (300mA)	0		300	mA
I_{LIMIT_H}	Current Limit ⁽¹⁾			500		mA
R_{ON}	On Resistance	LDO1, LDO2		0.6		Ω
PSRR	Power Supply Rejection Ratio	f=1kHz	60			dB
		f=100kHz	30			
I_{OFF}	Shut Down Current			100		nA
I_Q	Quiescent Current	Without load		30	43	μA
t_{START}	Startup Time	Low current used during start-up			500	us
V_{LNR}	Line Regulation	Static		0.07		%/V
		Transient; Slope: tr=15 μs ; delta 1V		20		mV
V_{LDR}	Load Regulation	Static		0.014		%/mA
		Transient; Slope: tr=15 μs ; 1mA -> 300mA		30		mV

Note(s):

1. Guaranteed by design and verified by laboratory evaluation and characterization; not production tested

Figure 30:
Universal IO LDO Electrical Characteristics

Symbol	Parameter	Note	Min	Typ	Max	Unit
C_{OUT_LDOx}	Output Capacitor	Ceramic X5R or X7R	0.7	2.2		μF
C_{VIN_LDOx}	Input Capacitor	Ceramic X5R or X7R	1	2.2		μF

Low Power LDO V2_5 Regulator

The low power LDO V2_5 is needed to supply the chip core (analog and digital) of the device. It is designed to get the lowest possible power consumption and still offering reasonable characteristics. To ensure high PSRR and stability, a low-ESR ceramic capacitor of min. $0.7\mu\text{F}$ must be connected to the output.

Parameter

Figure 31:
Low Power V2_5 LDO Electrical Characteristics

Symbol	Parameter	Note	Min	Typ	Max	Unit
	Supply Voltage Range	See V_{SUP}				
V_{OUT}	Output Voltage		2.4	2.5	2.6	V
R_{ON}	On Resistance	Guaranteed by design		50		Ω
I_{OFF}	Shut Down Current			100		nA
I_Q	Quiescent Current	Guaranteed by design, consider chip internal load for measurements		3		μA
t_{START}	Startup Time			200		μs

Figure 32:
Universal IO LDO Electrical Characteristics

Symbol	Parameter	Note	Min	Typ	Max	Unit
C_{V2_5}	Output Capacitor	Ceramic X5R or X7R	0.7	1		μF

Detailed Description - System Functions

Start-Up

Normal Start-Up

During a normal reset cycle (e.g. after the battery is inserted), after V2_5 is above V_{POR} and V_{SUP} is above ResVoltRise a normal startup happens:

- Configuration of DC/DCs (combined mode or separated) is read from the Boot-OTP
- Startup state machine reads out the internal Boot-OTP
- Reset-Timer is set by the Boot-OTP
- The reset is released when the Reset-Timer expires (external pin XRES)

Parameter

Figure 33:
ON Input Start-Up Condition

Symbol	Parameter	Note	Min	Typ	Max	Unit
V_{ON_IL}	ON Low Level Voltage				0.4	V
V_{ON_IH}	ON High Level Voltage		1.4			V
I_{ON_PD}	ON Pull Down Current		4	12		μ A

Figure 34:
Start-Up Flowchart

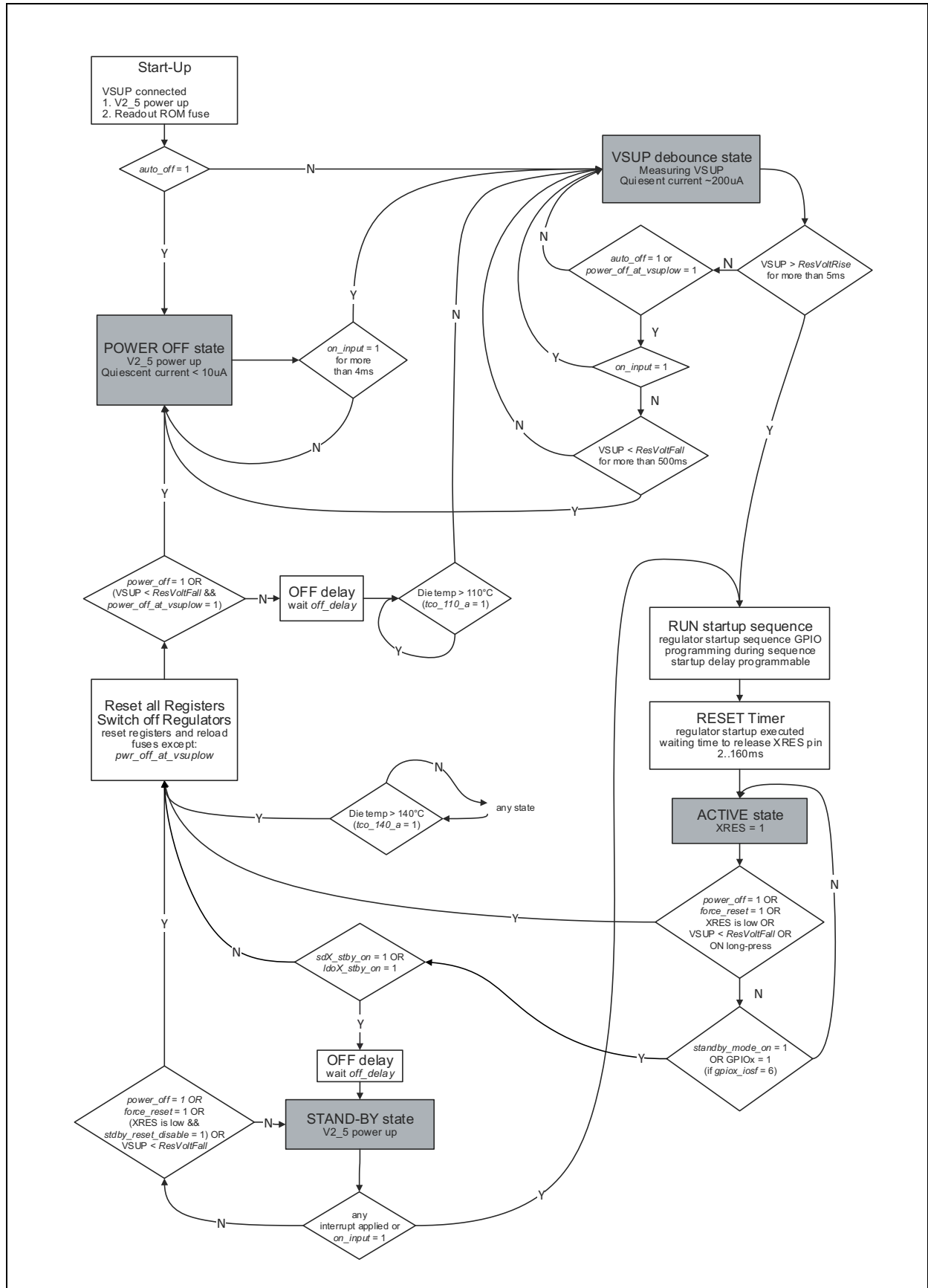
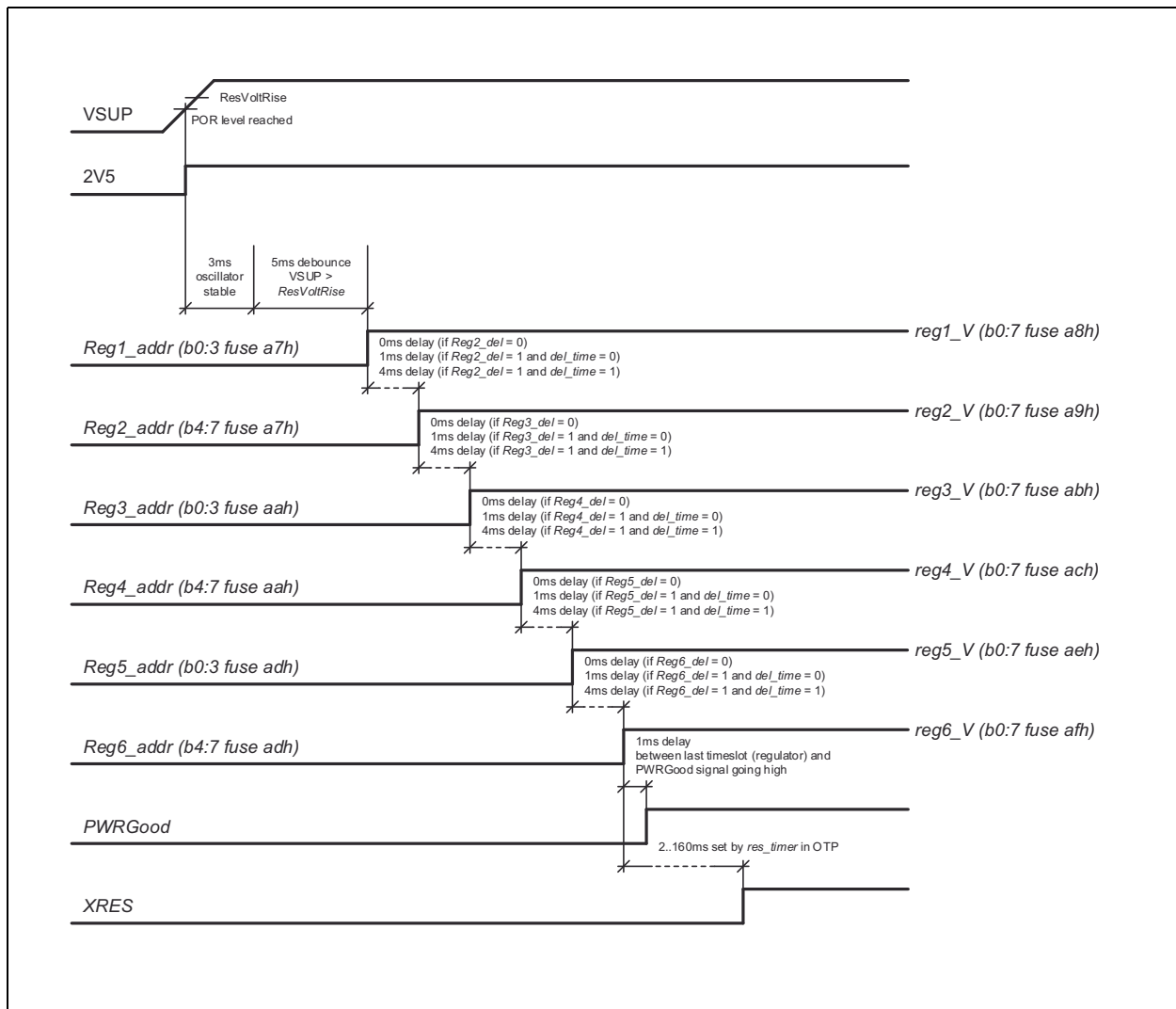
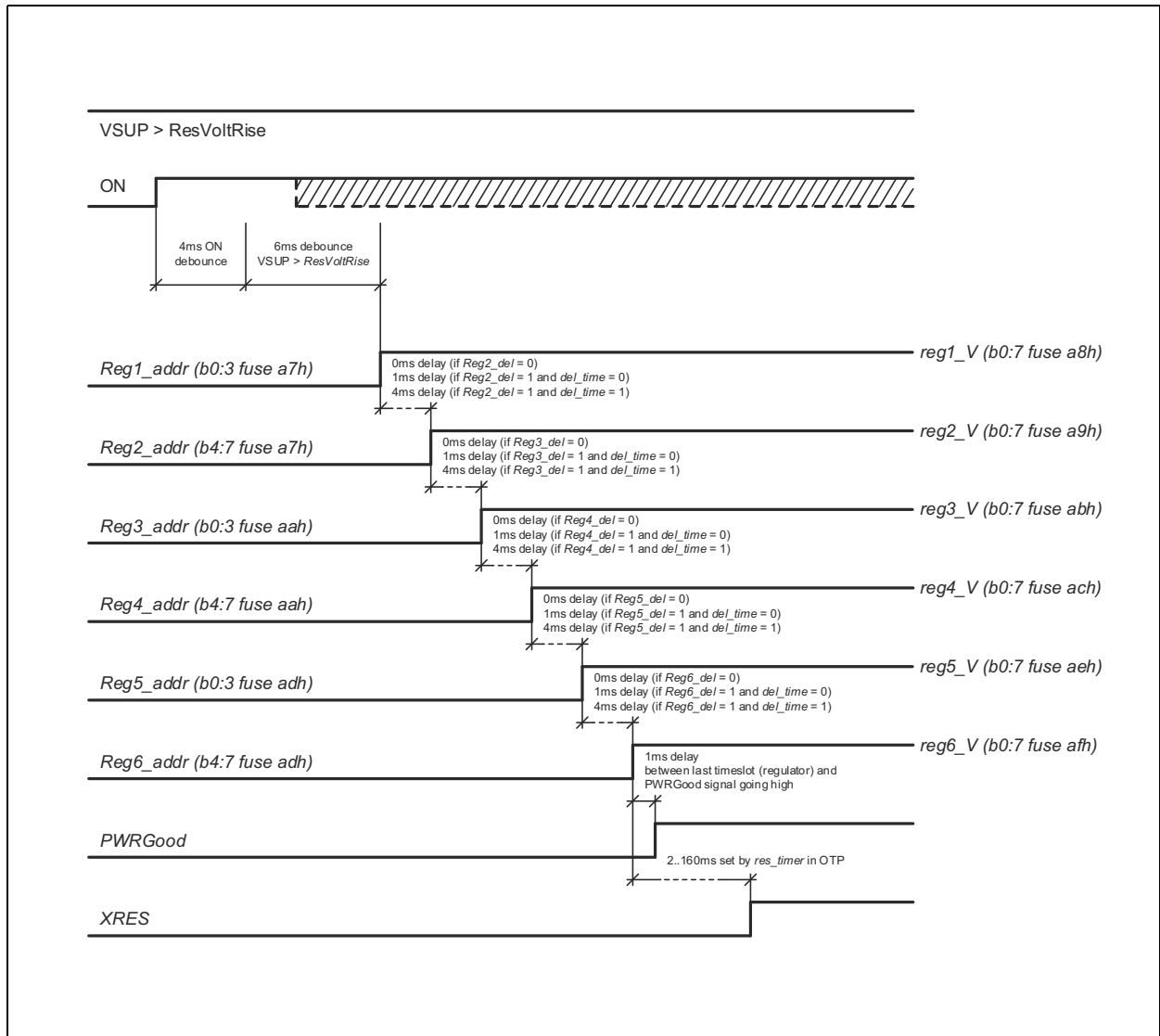


Figure 35:
Start-Up Sequence Diagram 1/3



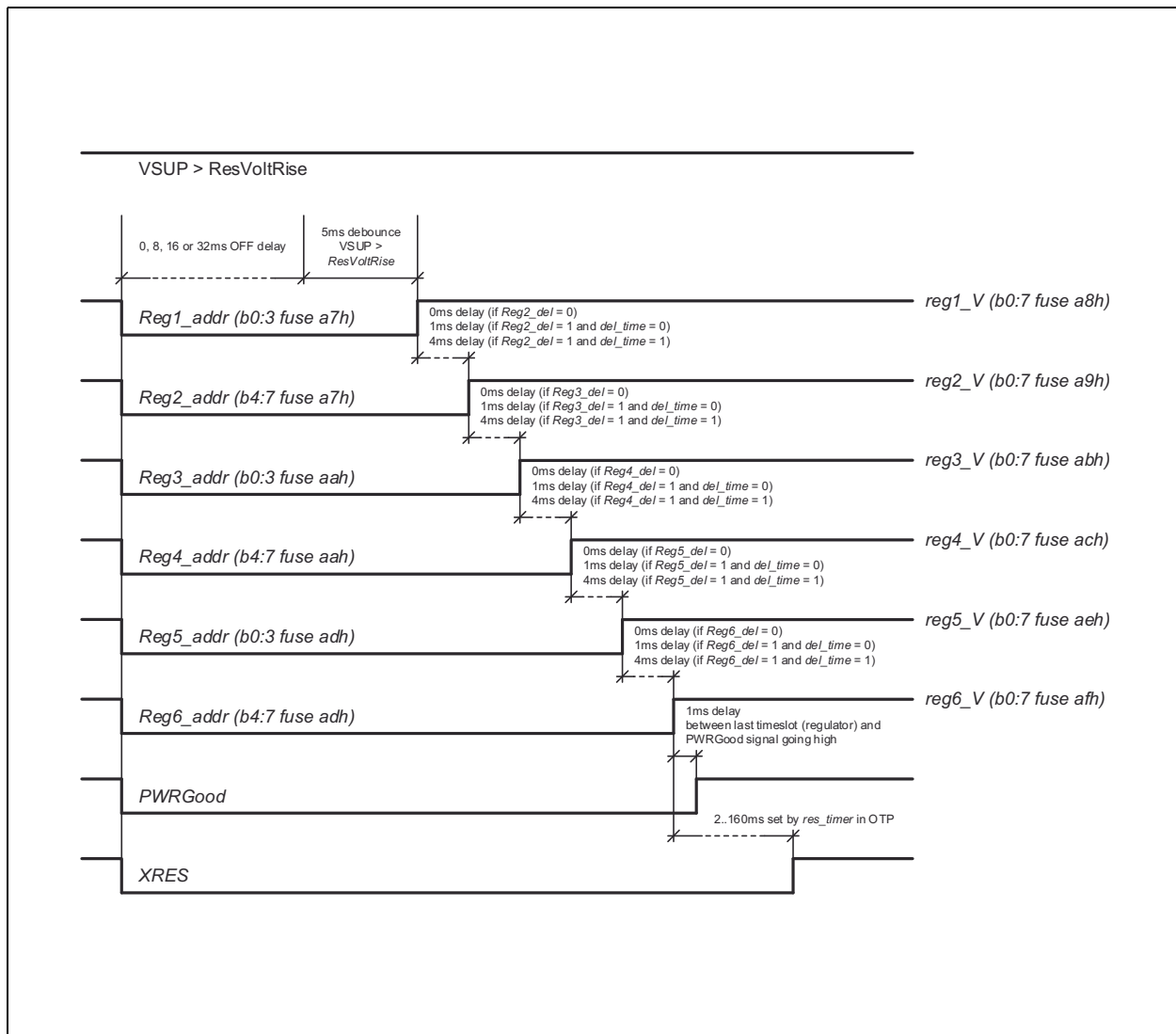
Start-Up Sequence: This diagram shows the timing of a startup from scratch (first VSUP connection)

Figure 36:
Start-Up Sequence Diagram 2/3



Start-Up Sequence: This diagram shows the timing of a startup initiated by the ON-key press

Figure 37:
Start-Up Sequence Diagram 3/3



Start-Up Sequence: This diagram shows the timing of a reset command followed by a startup

Reset

XRES is a low active bi-directional pin. An external pull-up to the periphery supply has to be added. During each reset cycle the following states are controlled by the AS3709:

- Pin XRES is forced to GND
- Normal startup with programmable power-on sequence and regulator voltages
- Reset is active until the programmable reset timer (set by register bits *res_timer*<2:0>) expires
- All registers are set to their default values after power-on, except the reset control- and status-registers

RESET Reasons

Reset can be activated from 7 different sources:

- V_{POR} has been reached (V_{SUP} reached POR level)
- ResVoltFall was reached (V_{SUP} drops below ResVoltFall)
- Software forced reset
- Power off mode
- External triggered through the pin XRES
- Overtemperature
- ON-key long press

Voltage Detection

There are two types of voltage dependent resets: V_{POR} and V_{XRES} . V_{POR} monitors the voltage on V2_5 and V_{XRES} monitors the voltage on V_{SUP} . The linear regulator for V2_5 is always on and uses the voltage V_{SUP} as its source. The pin XRES is only released if V2_5 is above V_{POR} and V_{SUP} is above ResVoltRise.

Power OFF

To put the chip into ultralow power mode, write '1' into *power_off*.

The chip stays in power off mode until

- The external pin ON is pulled high
- The V_{POR} level is touched to start a complete reset cycle

The bit *power_off* is automatically cleared by this reset cycle.

During *power_off* state all circuits are shut-off except the Low Power LDO (V2_5). Thus the current consumption of AS3709 is reduced to less than 7µA. The digital part is supplied by V2_5, all other circuits are turned off in this mode, including references and oscillator. Except the reset control registers, all other registers are set to their default value after power-on.

Software Forced Reset

Writing '1' into the register bit *force_reset* immediately starts a reset cycle. The bit *force_reset* is automatically cleared by this reset.

External Triggered Reset

If the pin XRES is pulled from high to low by an external source (e.g. microprocessor or button) a reset cycle is started as well.

Overtemperature Reset

The reset cycle can be started by overtemperature conditions.

Long ON-Key Press

When applying a high level on the ON input pin for 4s/8s (depending on *on_reset_delay*) a reset is initiated. This is thought as a safety feature when the SW hangs up.

Parameter

Figure 38:
XRES Input Characteristics

Symbol	Parameter	Note	Min	Typ	Max	Unit
V_{XRES_IL}	RESET Low Level Voltage				0.4	V
V_{XRES_IH}	RESET High Level Voltage		1.4			V

Figure 39:
RESET Levels

Symbol	Parameter	Note	Min	Typ	Max	Unit
V_{POR}	Overall Power On Reset	Monitor voltage on V2_5 power on reset for all internal functions	1.5	2.0	2.3	V
V_{RES_RISE}	RESET Level for V_{SUP} Rising	Monitor voltage on V_{SUP} rising level		ResVoltRise ⁽¹⁾		V
V_{RES_FALL}	RESET Level for V_{SUP} Falling	Monitor voltage on V_{SUP} falling level		2.7		V
		if <i>SupResEn</i> = 1 only		ResVoltFall ⁽²⁾		V
V_{RES_MASK}	Mask Time for V_{XRES_fall} Duration for $V_{SUP} < ResVoltFall$ until a reset cycle is started ⁽³⁾	<i>FastResEn</i> = 0		3		ms
		<i>FastResEn</i> = 1		4		μs

Note(s):

1. The selection of the range and level is done via OTP. It's recommended to set the ResVoltRise level 200mV above the ResVoltFall level to have a hysteresis.
2. 2.7V is the default value, other levels can be set via SW.
3. XRES signal is debounced with the specified mask time for rising- and falling slope of VSUP
4. VRES_FALL is only accepted if the reset condition is longer than VRES_MASK. This guard time is used to avoid a complete reset of the system in case of short drops of VSUP.

Figure 40:
ResVoltRise/ResVoltFall Levels

Mode	000	001	010	011	100	101	110	111
3.3V	2.7V	2.8V	2.9V	3.0V	3.1V	3.2V	3.3V	3.4V
5.0V	3.6V	3.7V	3.8V	3.9V	4.0V	4.1V	4.2V	4.4V

Note(s):

1. If bit reslevel_5V is "1", then the 5.0V mode is selected.

Stand-By

Stand-by allows shutting down a part or the complete system. Stand-by can be terminated by every possible interrupt or GPIO of the PMU. The interrupt has to be enabled and GPIO has to be configured before going to stand-by.

Figure 41:
Stand-By

State	Description
Enter via GPIO	To enter stand-by mode the following settings have to be done: <ul style="list-style-type: none"> • Enable just these IRQ sources which should lead to leave stand-by mode. • Make sure that IRQ is inactive (IRQ flags get cleared by register reading) • Set the GPIO to input (<i>gpioX_mode</i> = 0) • Set the GPIO for stand-by control (<i>gpioX_iosf</i> = 6) • Set <i>regX_select</i> to define the sequence for going into stand-by for up to 3 regulators • Set <i>regX_voltage_stby</i> if another voltage is needing during stand-by • Define which regulators should be kept powered during stand-by (<i>sdX_stby_on</i> and <i>ldoX_stby_on</i>) • Activate the selected GPIO
Enter via SW	To enter stand-by mode the following settings have to be done: <ul style="list-style-type: none"> • Enable just these IRQ sources which should lead to leave stand-by mode. • Make sure that IRQ is inactive (IRQ flags get cleared by register reading) • Define which regulators should be kept powered during stand-by (<i>sdX_stby_on</i> and <i>ldoX_stby_on</i>) • Set the delay for going into stand-by after the SW command (<i>off_delay</i>) • Set <i>standby_mode_on</i> to 1
Stand-By	V2_5 chip supply is kept ON All other regulators are switched OFF dependent on the bits <i>sdX_stby_on</i> and <i>ldoX_stby_on</i> XRES goes active (can be disabled with <i>standby_reset_disable</i>) and <i>pwr_good</i> goes inactive
Leave	The chip will come out of stand-by with <ul style="list-style-type: none"> • IRQ activation or • GPIO control (if entered via GPIO) Start-Up sequence is provided defined by the boot ROM.

Internal References

Low Power Mode

Use bit *low_power_on* to activate the Low Power Mode. In this mode the on-chip voltage reference and the temperature supervision comparators are operating in pulsed mode. This reduces the quiescent current of the AS3709 by 45µA (typ.). Because of the pulsed function some specifications are not fulfilled in this mode (e.g. increased noise), but still the full functionality is available.

Note(s): Low power mode can be controlled by the serial interface.

Figure 42:
Reference Parameter

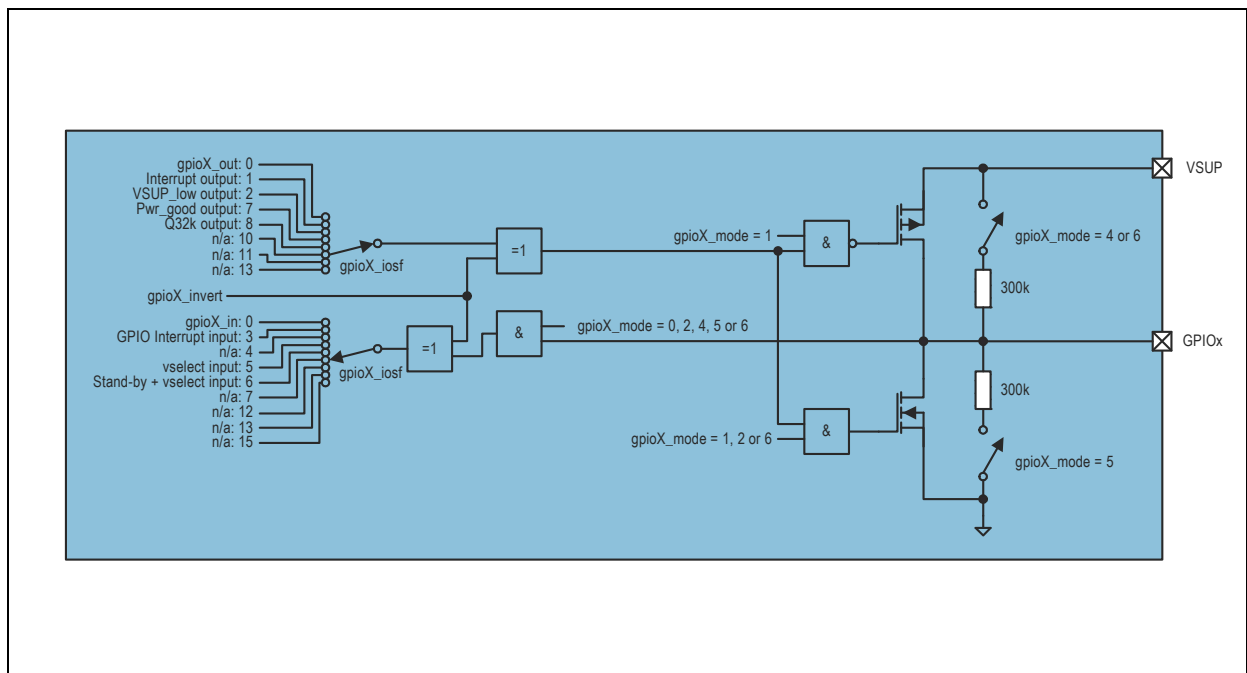
Symbol	Parameter	Note	Min	Typ	Max	Unit
f_{CLK}	Accuracy of Internal Reference Clock	Adjustable by serial interface register <code>clk_int</code>	-12	f_{CLK}	+12	%

GPIO Pins

The device contains 2 GPIO pins. Each of the pins can be configured as digital input, digital input (with pull-up or pull-down), push-pull output or open drain output (with or without pull-up). When configured as output the output source can be a register bit, or the PWM generator.

The polarity of the input and output signals can be inverted with the corresponding `gpioX_invert` bit, all further descriptions refer to normal (non-inverted) mode.

Figure 43:
GPIO Block Diagram



GPIO Block Diagram: Shows the internal structure of the IO pads

Figure 44:
GPIO Pin Characteristics

Symbol	Parameter	Note	Min	Typ	Max	Unit
V_{GPIO_max}	Max. Voltage on GPIO1/2 Pins	Pin V_{SUP} is used as supply for the GPIO pins			$V_{SUP} + 0.3$	V
V_{OL}	Low Level Output Voltage	$I_{OL}=+1mA$ digital output			+0.4	V
V_{OH}	High Level Output Voltage	$I_{OH}=-1mA$; digital push-pull output	$0.8*V_{SUP}$			V
V_{IL}	Low Level Input Voltage	Digital input			0.4	V
V_{IH}	High Level Input Voltage	Digital input	1.4			V
$I_{LEAKAGE}$	Leakage Current	High impedance			10	μA
$R_{pull-up}$	Pull-Up Resistance	If enabled; $V_{SUP} = 3.6V$		300		k Ω
$R_{pull-down}$	Pull-Down Resistance	If enabled; $V_{SUP} = 3.6V$		300		k Ω

GPIO Pins: Shows the key electrical parameter of the GPIO pins. $V_{SUP}=2.7$ to 5.5V; unless otherwise mentioned.

IO Functions

Normal IO Operation

If set to input, the logic level of the signal present at the GPIOx pin can be read from *gpioX_in*. If the output mode is chosen, *gpioX_out* specifies the logic level of the GPIOx pin.

This mode is also used for the on/off control of the DC/DC and LDOs. The selection which regulator is controlled by which GPIO, is done with the *gpio_ctrl_sdX* or *gpio_ctrl_Idx* bits. The *gpioX_mode* should be set to input.

Interrupt Output

GPIOx pin logic state is derived from the interrupt signal XINT. Whenever an interrupt is present the GPIOx pin will be pulled high.

The *gpioX_mode* should be set to output.

VSUP_low Output

GPIOx pin will go high if V_{SUP} falls below ResVoltFall and SupResEn = 0.

The *gpioX_mode* should be set to output.

GPIO Interrupt Input

A falling or rising edge will set the *gpio_int* bit.

The *gpioX_mode* should be set to input.

Vselect Input

As long as the GPIOx pin is high the DC/DCs and LDOs operate with the normal register settings. If the GPIOx pin goes low the settings will change to the ones stored in *regX_voltage*. The *gpioX_mode* should be set to input.

Figure 45:
GPIO Vselect Modes

gpio1_iosf	gpio2_iosf	Vselect Mode
<> 5	<> 5	No voltage select by GPIO for regulator
<> 5	5	GPIO2 controls regulator selected by <i>reg1_select</i> and <i>reg2_select</i>
5	<> 5	GPIO1 controls regulator selected by <i>reg1_select</i> and <i>reg2_select</i>
5	5	GPIO1 controls regulator selected by <i>reg1_select</i> GPIO2 controls regulator selected by <i>reg2_select</i>

IO Functions: Shows the 4 different Vselect modes, depending on the setting of *gpioX_iosf*

Stand-By and Vselect Input

This mode is very similar to the Vselect mode described in the previous paragraph. In addition to switch between 2 register settings of 2 regulators the chip is set into stand-by mode when the GPIOx pin goes low and wakes up again when the pin is pulled high.

The *gpioX_mode* should be set to input.

GPIO1 and GPIO2 may be used to control two regulators separately.

Figure 46:
Stand-By and Vselect Modes

gpio1_iosf	gpio2_iosf	Vselect Mode	Stand-By Control
<> 6	<> 6	no voltage select by GPIO for regulator	No
<> 6	6	GPIO2 controls regulator selected by <i>reg1_select</i> and <i>reg2_select</i>	Yes
6	<> 6	GPIO1 controls regulator selected by <i>reg1_select</i> and <i>reg2_select</i>	Yes
6	6	GPIO1 controls regulator selected by <i>reg1_select</i> GPIO2 controls regulator selected by <i>reg2_select</i>	Yes

IO Functions: Shows the 4 different Vselect and Stand-By control modes, depending on the setting of *gpioX_iosf*

PWRGOOD Output

This signal will go high at the end of the start-up sequence. This can be used as a second reset signal to the processor to e.g. start oscillators.

The *gpioX_mode* should be set to output.

Supervisor

All step-down DC/DCs have an integrated over-current protection.

An overtemperature protection of the chip is also integrated which can be switched on with the serial interface signal *temp_pmc_on* (enabled by default; it is not recommended to disable the overtemperature protection).

Temperature Supervision

The chip has two signals for the serial interface: *ov_temp_110* and *ov_temp_140*.

The flag *ov_temp_110* is automatically reset if the overtemperature condition is removed, whereas *ov_temp_140* has to be reset by the serial interface with the signal *rst_ov_temp_140*. If the flag *ov_temp_140* is set, an automatic reset of the complete chip is initiated. The chip will only start-up when the temperature falls below the T110 level (including hysteresis). The flag *ov_temp_140* is not affected by this reset cycle allowing the software to detect the reason for this unexpected shutdown.

Figure 47:
Overtemperature Protection

Symbol	Parameter	Min	Typ	Max	Unit
T ₁₁₀	ov_temp_110 rising threshold	95	110	125	°C
T ₁₄₀	ov_temp_140 rising threshold	125	140	155	°C
T _{HYST}	ov_temp_110 and ov_temp_140 hysteresis		5		°C

Interrupt Generation

The interrupt controller generates an interrupt request for the host controller as soon as one or more of the bits in the *Interrupt 1...2* register are set by pulling low pin XINT (XINT has to be selected as a GPIO output function). All the interrupt sources can be enabled in the Interrupt Mask 1...2 register. The Interrupt 1...2 registers are cleared automatically after the host controller has read them. To prevent the AS3709 device from losing an interrupt event, the register that is read is captured before it is transmitted to the host controller via the serial interface. As soon as the transmission of the captured value is complete a logical AND operation with the bit wise inverted captured value is applied to the register to clear all interrupt bits that have already been transmitted. Clearing the read interrupt bits takes 2 clock cycles, a read access to the same register before the clearing process has completed will yield a value of '0'. Note that an interrupt that has been present at the previous read access will be cleared as well in case it occurs again before the clearing process has completed.

During a read access to one of the interrupt registers, the GPIO pin (GPIO output function) will be released. As soon as the transferred bits of the interrupt register have been cleared the GPIO pin (GPIO output function) will be pulled low in case a new interrupt has occurred in the meantime. By doing so, the interrupt controller will work correctly with host controllers that are edge- and level-sensitive on their interrupt request input. Multiple byte read access is recommended to avoid reading the *Interrupt 1* register over and over again in response to a new interrupt that has occurred in the same register (and thus pulling low the GPIO pin) before the Interrupt 2 register has been read.

2-Wire-Serial Control Interface

Feature List

- Fast-mode capability (max. SCL-frequency is 400 kHz)
- 7+1-bit addressing mode
- 60h x 8-bit data registers (word address 0x00 - 0x60)
- Write formats: Single-Byte-Write, Page-Write
- Read formats: Current-Address-Read, Random-Read, Sequential-Read
- SDA input delay and SCL spike filtering by integrated RC-components

I²C Protocol

Figure 48:
2-Wire Serial Symbol Definition

Symbol	Definition	RW	Note
S	Start condition after Stop	R	1 bit
Sr	Repeated Start	R	1 bit
DW	Device address for Write	R	1000 0000b (80h)
DR	Device address for Read	R	1000 0001b (81h)
WA	Word address	R	8 bit
A	Acknowledge	W	1 bit
N	No Acknowledge	R	1 bit
reg_data	Register data/write	R	8 bit
data (n)	Register data/read	W	8 bit
P	Stop condition	R	1 bit
WA++	Increment word address internally	R	During acknowledge
	AS3709 (= slave) receive data		
	AS3709 (= slave) transmits data		

I²C Write Access

Byte Write and Page Write formats are used to write data to the slave.

Figure 49:
I²C Byte Write

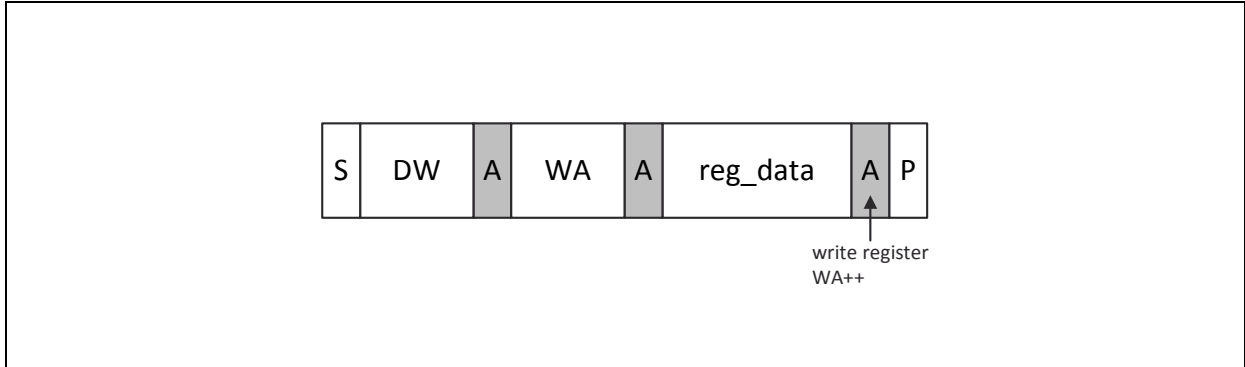
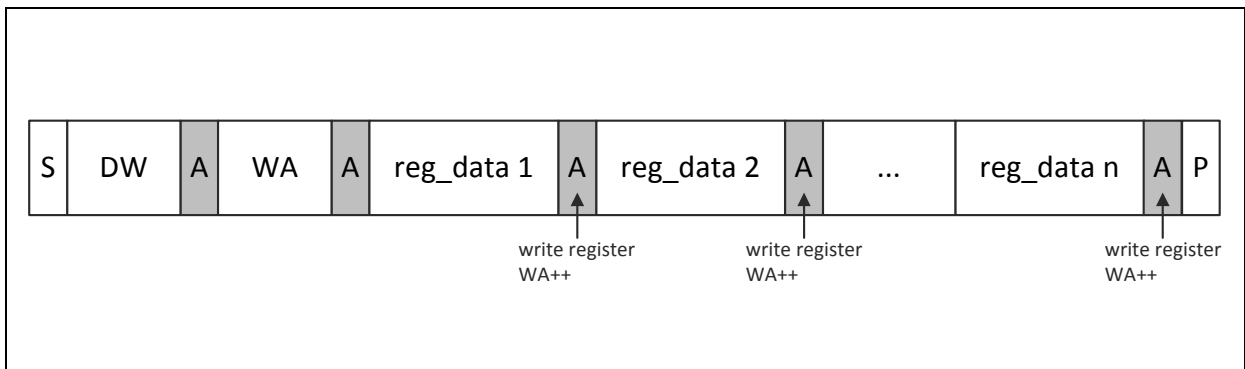


Figure 50:
I²C Page Write



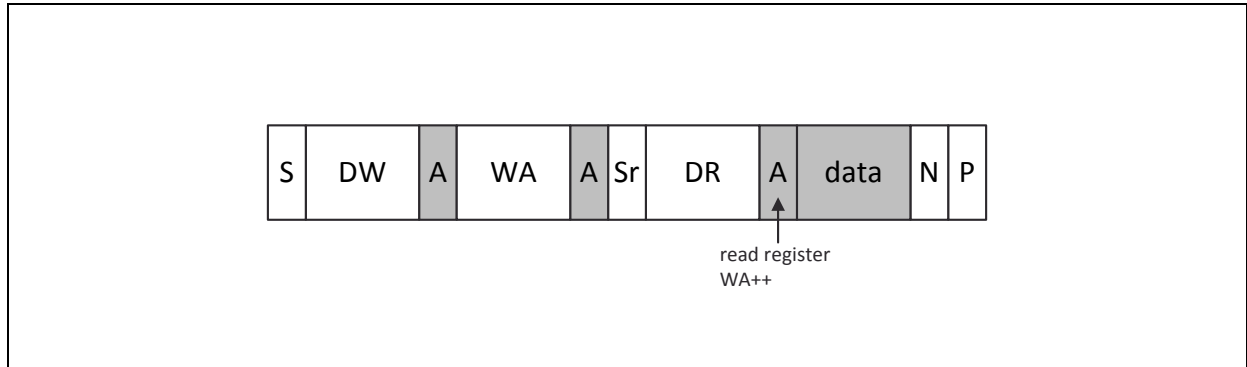
The transmission begins with the START condition, which is generated by the master when the bus is in IDLE state (the bus is free). The device-write address is followed by the word address. After the word address any number of data bytes can be sent to the slave. The word address is incremented internally, in order to write subsequent data bytes on subsequent address locations.

For reading data from the slave device, the master has to change the transfer direction. This can be done either with a repeated START condition followed by the device-read address, or simply with a new transmission START followed by the device-read address, when the bus is in IDLE state. The device-read address is always followed by the 1st register byte transmitted from the slave. In Read Mode any number of subsequent register bytes can be read from the slave. The word address is incremented internally.

I²C Read Access

Random, Sequential and Current Address Read are used to read data from the slave.

Figure 51:
I²C Random Read

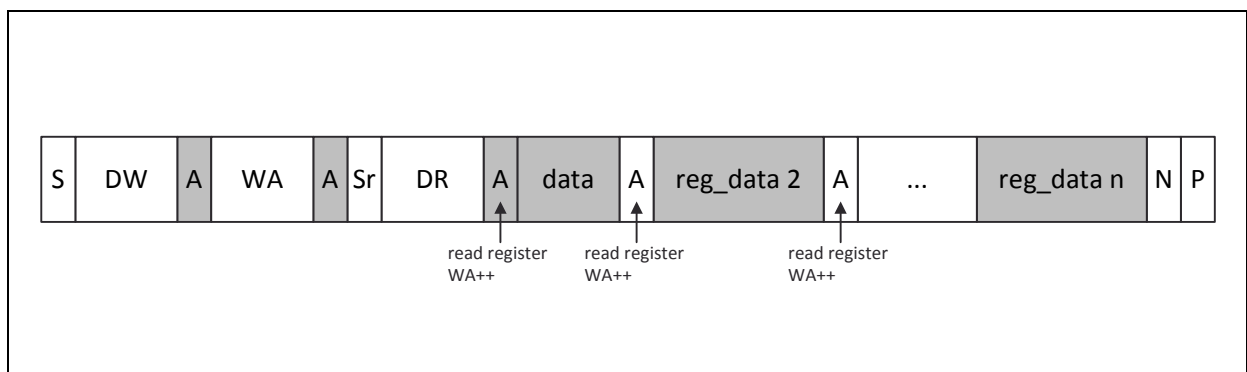


Random Read and Sequential Read are combined formats. The repeated START condition is used to change the direction after the data transfer from the master.

The word address transfer is initiated with a START condition issued by the master while the bus is idle. The START condition is followed by the device-write address and the word address.

In order to change the data direction a repeated START condition is issued on the 1st SCL pulse after the acknowledge bit of the word address transfer. After the reception of the device-read address, the slave becomes the transmitter. In this state the slave transmits register data located by the previous received word address vector. The master responds to the data byte with a not-acknowledge, and issues a STOP condition on the bus.

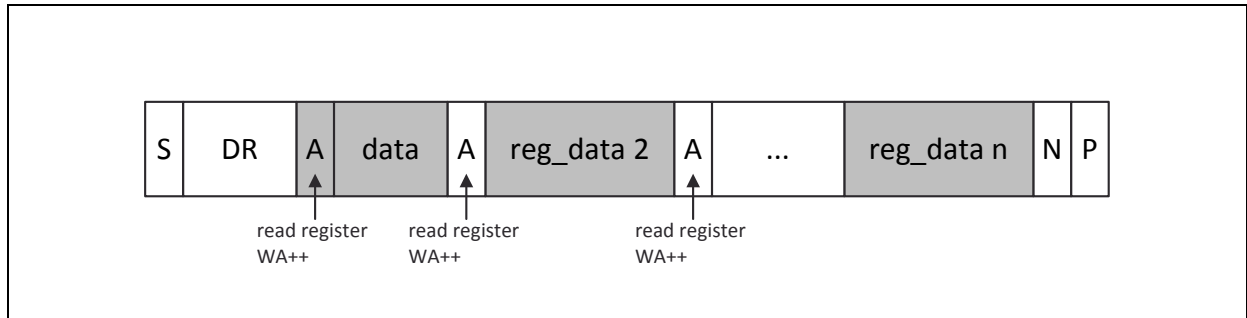
Figure 52:
I²C Sequential Read



Sequential Read is the extended form of Random Read, as more than one register-data bytes are transferred subsequently. In difference to the Random Read, for a sequential read the transferred register-data bytes are responded by an acknowledge from the master.

The number of data bytes transferred in one sequence is unlimited (consider the behavior of the word-address counter). To terminate the transmission the master has to send a not-acknowledge following the last data byte and generate the STOP condition subsequently.

Figure 53:
I²C Current Address Read



To keep the access time as small as possible, this format allows a read access without the word address transfer in advance to the data transfer. The bus is idle and the master issues a START condition followed by the Device-Read address. Analogous to Random Read, a single byte transfer is terminated with a not-acknowledge after the 1st register byte. Analogous to Sequential Read an unlimited number of data bytes can be transferred, where the data bytes has to be responded with an acknowledge from the master. For termination of the transmission the master sends a not-acknowledge following the last data byte and a subsequent STOP condition.

I²C Parameter

Figure 54:
I²C SDA/SCL Characteristics

Symbol	Parameter	Min	Typ	Max	Unit
V _{IL}	SCL,SDA Low Level Input Voltage			0.4	V
V _{IH}	SCL,SDA High Level Input Voltage	1.4			V

The AS3709 is compatible to the NXP two wire specification www.nxp.com/documents/user_manual/UM10204.pdf Version 4.0 Feb 2012 for standard mode and fast mode (no fast mode plus or high speed mode support).

Register Description

Figure 55:
Register Overview

Addr	Name	<D7>	<D6>	<D5>	<D4>	<D3>	<D2>	<D1>	<D0>	
00h	SD1Voltage	sd1_frequ	sd1_vsel<6:0>							
01h	SD2Voltage	sd2_frequ	sd2_vsel<6:0>							
02h	SD3Voltage	sd3_frequ	sd3_vsel<6:0>							
03h	SD4Voltage	sd4_frequ	sd4_vsel<6:0>							
04h	SD5Voltage	sd5_frequ	sd5_vsel<6:0>							
05h	LDO1Voltage	ldo1_ilimit	ldo1_vsel<6:0>							
06h	LDO2Voltage	ldo2_ilimit	ldo2_vsel<6:0>							
0ch	GPIO1control	gpio1_invert	gpio1_iosf<6:3>				gpio1_mode<2:0>			
0dh	GPIO2control	gpio2_invert	gpio2_iosf<6:3>				gpio2_mode<2:0>			
10h	SDcontrol	-	ldo2_enable	ldo1_enable	sd5_enable	sd4_enable	sd3_enable	sd2_enable	sd1_enable	
20h	GPIOsignal_out	-			-	-	-	gpio2_out	gpio1_out	
21h	GPIOsignal_in	-			-	-	-	gpio2_in	gpio1_in	
22h	Reg1_Voltage	reg1_voltage<7:0>								
23h	Reg2_Voltage	reg2_voltage<7:0>								
24h	Reg_control	reg2_select<7:4>				reg1_select<3:0>				
25h	GPIOctrl_sd	gpio_ctrl_sd4<7:6>		gpio_ctrl_sd3<5:4>		gpio_ctrl_sd2<3:2>		gpio_ctrl_sd1<1:0>		

Addr	Name	<D7>	<D6>	<D5>	<D4>	<D3>	<D2>	<D1>	<D0>
26h	GPIOctrl_Ildo	-	-	gpio_ctrl_ldo2<5:4>		gpio_ctrl_ldo1<3:2>		gpio_ctrl_sd5<1:0>	
29h	SD_control3	sd5_slave	sd4_slave	sd2_slave	sd5_fsel	sd5_fast	sd5_low_noise	-	
30h	SD_control1	sd4_low_noise	sd3_low_noise	sd2_low_noise	sd1_low_noise	sd4_fast	sd3_fast	sd2_fast	sd1_fast
31h	SD_control2	sd_dvm_select<7:6>		dvm_time<5:4>		sd4_fsel	sd3_fsel	sd2_fsel	sd1_fsel
32h	Supply_voltage_monitor	FastResEn	SupResEn	ResVoltFall<5:3>			ResVoltRise<2:0>		
33h	Startup_control	-						reslevel_5v	power_off_at_vsuplow
34h	ResetTimer	-	stby_reset_disable	auto_off	off_delay<4:3>		res_timer<2:0>		
35h	ReferenceControl	on_reset_delay	-	clk_div2	standby_mode_on	clk_int<3:1>			low_power_on
36h	ResetControl	onkey_reset	reset_reason<6:3>			on_input	power_off	force_reset	
37h	Overtemperature Control	tco_140_a	tco_110_a	temp_test<5:4>		rst_ov_temp_140	ov_temp_140	ov_temp_110	temp_pmc_on
39h	Reg_standby_mod1	disable_regpd	ldo2_stby_on	ldo1_stby_on	sd5_stby_on	sd4_stby_on	sd3_stby_on	sd2_stby_on	sd1_stby_on
73h	RegStatus	-			sd5_lv	sd4_lv	sd3_lv	sd2_lv	sd1_lv
74h	InterruptMask1	LowVsup_int_m	ovtmp_int_m	onkey_int_m	sd5_lv_int_m	sd4_lv_int_m	sd3_lv_int_m	sd2_lv_int_m	sd1_lv_int_m
75h	InterruptMask2	-						gpio_restart_int_m	gpio_int_m

Addr	Name	<D7>	<D6>	<D5>	<D4>	<D3>	<D2>	<D1>	<D0>	
77h	InterruptStatus1	LowBat_int_i	ovtmp_int_i	onkey_int_i	sd5_lv_int_i	sd4_lv_int_i	sd3_lv_int_i	sd2_lv_int_i	sd1_lv_int_i	
78h	InterruptStatus2	-						gpio_restart_int_i	gpio_int_i	
90h	ASIC_ID1	asic_id1<7:0>								
91h	ASIC_ID2	fab_id<7:4>				revision<3:0>				
a3h	Fuse3	del_time	i2c_deva_bit1	sequ_on	sd5_slave	sd2_slave	reslevel_5v			
a4h	Fuse4	auto_off	res_timer<6:4>			ResVoltRise<3:1>			sd4_slave	
a5h	Fuse5	LDO1_gpio1_sel	SD5_gpio1_sel	on_reset_delay	onkey_reset	gpio12_in_en	power_off_at_vsuplow	sd1_5_fsel	sd1_5_fast	
a6h	Fuse6	sd3_gpio1_sel	sd2_gpio1_sel	sd1_gpio1_sel	Reg6_delay	Reg5_delay	Reg4_delay	Reg3_delay	Reg2_delay	
a7h	Fuse7	Reg2_addr<7:4>				Reg1_addr<3:0>				
a8h	Fuse8	reg1_V<7:0>								
a9h	Fuse9	reg2_V<7:0>								
aah	Fuse10	Reg4_addr<7:4>				Reg3_addr<3:0>				
abh	Fuse11	reg3_V<7:0>								
ach	Fuse12	reg4_V<7:0>								
adh	Fuse13	Reg6_addr<7:4>				Reg5_addr<3:0>				
aeh	Fuse14	reg5_V<7:0>								
afh	Fuse15	reg6_V<7:0>								

Detailed Register Description

Figure 56:
SD1Voltage Register (Address 00h)

Addr: 00h		SD1Voltage		
Bit	Bit Name	Default	Access	Bit Description
7	sd1_frequ	0	RW	Selects between high and low frequency dependent on <i>sd1_fsel</i> 0 : 2MHz if sd1_fsel=0, 3MHz if sd1_fsel=1 1 : 3MHz if sd1_fsel=0, 4MHz if sd1_fsel=1
6:0	sd1_vsel	'b0000000	RW	The voltage select bits set the SD1 output voltage level and power the SD1 converter down. 00h : SD1 powered down 01h-40h : $V_{SD1}=0.6V+sd1_vsel*12.5mV$ 41h-70h : $V_{SD1}=1.4V+(sd1_vsel-40h)*25mV$ 71h-7Fh : $V_{SD1}=2.6V+(sd1_vsel-70h)*50mV$

Figure 57:
SD2Voltage Register (Address 01h)

Addr: 01h		SD2Voltage		
Bit	Bit Name	Default	Access	Bit Description
7	sd2_frequ	0	RW	Selects between high and low frequency dependent on <i>sd2_fsel</i> 0 : 2MHz if sd2_fsel=0, 3MHz if sd2_fsel=1 1 : 3MHz if sd2_fsel=0, 4MHz if sd2_fsel=1
6:0	sd2_vsel	'b000 0000	RW	The voltage select bits set the SD2 output voltage level and power the SD2 converter down. 00h : SD2 powered down 01h-40h : $V_{SD2}=0.6V+sd2_vsel*12.5mV$ 41h-70h : $V_{SD2}=1.4V+(sd2_vsel-40h)*25mV$ 71h-7Fh : $V_{SD2}=2.6V+(sd2_vsel-70h)*50mV$

Figure 58:
SD3Voltage Register (Address 02h)

Addr: 02h		SD3Voltage		
Bit	Bit Name	Default	Access	Bit Description
7	sd3_frequ	0	RW	Selects between high and low frequency dependent on <i>sd3_fsel</i> 0 : 2MHz if sd3_fsel=0, 3MHz if sd3_fsel=1 1 : 3MHz if sd3_fsel=0, 4MHz if sd3_fsel=1
6:0	sd3_vsel	'b000 0000	RW	The voltage select bits set the SD3 output voltage level and power the SD3 converter down. 00h : SD3 powered down 01h-40h : $V_{SD3}=0.6V+sd3_vsel*12.5mV$ 41h-70h : $V_{SD3}=1.4V+(sd3_vsel-40h)*25mV$ 71h-7Fh : $V_{SD3}=2.6V+(sd3_vsel-70h)*50mV$

Figure 59:
SD4Voltage Register (Address 03h)

Addr: 03h		SD4Voltage		
Bit	Bit Name	Default	Access	Bit Description
7	sd4_frequ	0	RW	Selects between high and low frequency dependent on <i>sd4_fsel</i> 0 : 2MHz if sd3_fsel=0, 3MHz if sd3_fsel=1 1 : 3MHz if sd3_fsel=0, 4MHz if sd3_fsel=1
6:0	sd4_vsel	'b000 0000	RW	The voltage select bits set the SD4 output voltage level and power the SD4 converter down. 00h : SD4 powered down 01h-40h : $V_{SD4}=0.6V+sd4_vsel*12.5mV$ 41h-70h : $V_{SD4}=1.4V+(sd4_vsel-40h)*25mV$ 71h-7Fh : $V_{SD4}=2.6V+(sd4_vsel-70h)*50mV$

Figure 60:
SD5Voltage Register (Address 04h)

Addr: 04h		SD5Voltage		
Bit	Bit Name	Default	Access	Bit Description
7	sd5_frequ	0	RW	Selects between high and low frequency dependent on <i>sd5_fsel</i> 0 : 2MHz if sd3_fsel=0, 3MHz if sd3_fsel=1 1 : 3MHz if sd3_fsel=0, 4MHz if sd3_fsel=1
6:0	sd5_vsel	'b000 0000	RW	The voltage select bits set the SD5 output voltage level and power the SD5 converter down. 00h : SD5 powered down 01h-40h : $V_{SD4}=0.6V+sd4_vsel*12.5mV$ 41h-70h : $V_{SD4}=1.4V+(sd4_vsel-40h)*25mV$ 71h-7Fh : $V_{SD4}=2.6V+(sd4_vsel-70h)*50mV$

Figure 61:
LDO1Voltage Register (Address 05h)

Addr: 05h		LDO1Voltage		
Bit	Bit Name	Default	Access	Bit Description
7	ldo1_ilimit	0	RW	Sets limit of LDO1 0 : 150mA operating range 1 : 300mA operating range
6:0	ldo1_vsel	'b00 0000	RW	The voltage select bits set the LDO1 output voltage 0.825V...3.3V, 25mV steps 00h : LDO1 off 01h-24h : $V_{LDO1}=0.8V+ldo1_vsel*25mV$ 25h-3fh : Do not use 40h-7Fh : $V_{LDO1}=1.725V+(ldo1_vsel-40h)*25mV$

Figure 62:
LDO2Voltage Register (Address 06h)

Addr: 06h		LDO2Voltage		
Bit	Bit Name	Default	Access	Bit Description
7	ldo2_ilimit	0	RW	Sets limit of LDO2 0 : 150mA operating range 1 : 300mA operating range
8:0	ldo2_vsel	'b00 0000	RW	The voltage select bits set the LDO2 output voltage 0.825V...3.3V, 25mV steps 00h : LDO2 off 01h-24h : $V_{LDO2}=0.8V+ldo2_vsel*25mV$ 25h-3fh : Do not use 40h-7Fh : $V_{LDO2}=1.725V+(ldo2_vsel-40h)*25mV$

Figure 63:
GPIO1control Register (Address 0ch)

Addr: 0ch		GPIO1control		
Bit	Bit Name	Default	Access	Bit Description
7	gpio1_invert	0	RW	Invert GPIO1 input/output 0 : Normal mode 1 : Invert input or output
6:3	gpio1_iosf	'b0000	RW	Select the GPIO1 special function 0 : Normal I/O operation 1 : Interrupt output 2 : VSUP_low output 3 : GPIO interrupt input 4 : NA 5 : Vselect input, (apply on reg1_select and reg2_select, if gpio2_iosf=5 then apply on reg1_select only) 6 : standby + Vselect + restart interrupt input 7 : pwr_good output 8 : NA 9 : NA 10 : NA 11 : NA 12 : NA 13 : NA 14 : NA 15 : NA
2:0	gpio1_mode	'b011	RW	Selects the GPIO1 mode (I, I/O, Tri, Pulls) 0 : Input 1 : Output (push and pull) 2 : IO (open drain, only NMOS is active) 3 : NA 4 : Input with pullup 5 : Input with pulldown 6 : IO (open drain (NMOS) with pullup) 7 : NA

Figure 64:
GPIO2control Register (Address 0dh)

Addr: 0dh		GPIO2control		
Bit	Bit Name	Default	Access	Bit Description
7	gpio2_invert	0	RW	Invert GPIO2 input/output 0 : Normal mode 1 : Invert input or output
6:3	gpio2_iosf	'b0000	RW	Select the GPIO2 special function 0 : Normal i/o operation 1 : Interrupt output 2 : VSUP_low output 3 : GPIO interrupt input 4 : NA 5 : Vselect input, (apply on reg1_select and reg2_select, if gpio1_iosf=5 then apply on reg2_select only) 6 : standby + Vselect + restart interrupt input 7 : pwr_good output 8 : NA 9 : NA 10 : NA 11 : NA 12 : NA 13 : NA 14 : NA 15 : NA
2:0	gpio2_mode	'b011	RW	Selects the GPIO2 mode (I, I/O, Tri, Pulls) 0 : Input 1 : Output (push and pull) 2 : IO (open drain, only NMOS is active) 3 : NA 4 : Input with pullup 5 : Input with pulldown 6 : IO (open drain (NMOS) with pullup) 7 : NA

Figure 65:
SDcontrol Register (Address 10h)

Addr: 10h		SDcontrol		
Bit	Bit Name	Default	Access	Bit Description
7	-	'b0	N/A	Do not use
6	ldo2_enable	'b1	RW	Global LDO2 enable 0 : LDO2 off 1 : LDO2 on
5	ldo1_enable	'b1	RW	Global LDO1 enable 0 : LDO1 off 1 : LDO1 on
4	sd5_enable	'b1	RW	Global stepdown5 enable 0 : SD off 1 : SD on
3	sd4_enable	'b1	RW	Global stepdown4 enable 0 : SD off 1 : SD on
2	sd3_enable	'b1	RW	Global stepdown3 enable 0 : SD off 1 : SD on
1	sd2_enable	'b1	RW	Global stepdown2 enable 0 : SD off 1 : SD on
0	sd1_enable	'b1	RW	Global stepdown1 enable 0 : SD off 1 : SD on

Figure 66:
GPIOsignal_out Register (Address 20h)

Addr: 20h		GPIOsignal_out		
Bit	Bit Name	Default	Access	Bit Description
7:2	-	'b0000	N/A	Do not use
1	gpio2_out	0	RW	This bit determines the output signal of the GPIO2 pin when selected as output source.
0	gpio1_out	0	RW	This bit determines the output signal of the GPIO1 pin when selected as output source.

Figure 67:
GPIOsignal_in Register (Address 21h)

Addr: 21h		GPIOsignal_in		
Bit	Bit Name	Default	Access	Bit Description
7:2	-	'b0000	N/A	Do not use
1	gpio2_in	0	RO	This bit reflects the logic level of the GPIO2 pin when configured as digital input pin.
0	gpio1_in	0	RO	This bit reflects the logic level of the GPIO1 pin when configured as digital input pin.

Figure 68:
Reg1_Voltage Register (Address 22h)

Addr: 22h		Reg1_Voltage		
Bit	Bit Name	Default	Access	Bit Description
7:0	reg1_voltage	'b0000 0000	RW	This register is mapped to the register address 0h+Reg1_select, if gioX_iosf = 5 or 6 (Vselect input), and input = 1. This feature allows voltage switching of a predefined regulator with just one GPIO input. 0..FFh : Selects voltage and frequency bits of DC/DC

Figure 69:
Reg2_Voltage Register (Address 23h)

Addr: 23h		Reg2_Voltage		
Bit	Bit Name	Default	Access	Bit Description
7:0	reg2_voltage	'b0000 0000	RW	This register is mapped to the register address 0h+Reg1_select, if gioX_iosf=5 or 6 (Vselect input), and input = 1, This feature allows voltage switching of a predefined regulator with just one GPIO input 0..FFh : Selects voltage and frequency bits of DC/DC

Figure 70:
Reg_control Register (Address 24h)

Addr: 24h		Reg_control		
Bit	Bit Name	Default	Access	Bit Description
7:4	reg2_select	'b1111	RW	Selects regulator for mapping feature; if reg_select2 ≥ 0Ch, then feature is disabled.
3:0	reg1_select	'b1111	RW	Selects regulator for mapping feature; if reg_select1 ≥ 0Ch, then feature is disabled.

Figure 71:
GPIOctrl_sd Register (Address 25h)

Addr: 25h		GPIOctrl_sd		
Bit	Bit Name	Default	Access	Bit Description
7:6	gpio_ctrl_sd4	'b00	RW	Enable GPIO control of DC/DC SD4. GPIO ctrl only enabled, if sd4_vsel > 0 0 : No GPIO control 1 : Controlled by GPIO1 2 : Controlled by GPIO2 3 : NA
5:4	gpio_ctrl_sd3	'b00	RW	Enable GPIO control of DC/DC SD3. GPIO ctrl only enabled, if sd3_vsel > 0 0 : No GPIO control 1 : Controlled by GPIO1 2 : Controlled by GPIO2 3 : NA
3:2	gpio_ctrl_sd2	'b00	RW	Enable GPIO control of DC/DC SD2. GPIO ctrl only enabled, if sd2_vsel > 0 0 : No GPIO control 1 : Controlled by GPIO1 2 : Controlled by GPIO2 3 : NA
1:0	gpio_ctrl_sd1	'b00	RW	Enable GPIO control of DC/DC SD1. GPIO ctrl only enabled, if sd1_vsel > 0 0 : No GPIO control 1 : Controlled by GPIO1 2 : Controlled by GPIO2 3 : NA

Figure 72:
GPIOctrl_Ido Register (Address 26h)

Addr: 26h		GPIOctrl_Ido		
Bit	Bit Name	Default	Access	Bit Description
7:6	-	'b00	N/A	-
5:4	gpio_ctrl_ldo2	'b00	RW	Enable GPIO control of LDO2. GPIO ctrl only enabled, if ldo2_vsel > 0 0 : No GPIO control 1 : Controlled by GPIO1 2 : Controlled by GPIO2 3 : NA
3:2	gpio_ctrl_ldo1	'b00	RW	Enable GPIO control of LDO1. GPIO ctrl only enabled, if ldo1_vsel > 0 0 : No GPIO control 1 : Controlled by GPIO1 2 : Controlled by GPIO2 3 : NA
1:0	gpio_ctrl_sd5	'b00	RW	Enable GPIO control of SD5. GPIO ctrl only enabled, if sd5_vsel > 0 0 : No GPIO control 1 : Controlled by GPIO1 2 : Controlled by GPIO2 3 : NA

Figure 73:
SD_control3 Register (Address 29h)

Addr: 29h		SD_control3		
Bit	Bit Name	Default	Access	Bit Description
7	sd5_slave	0	RW	Enables slave mode of SD5 0 : Normal mode of SD5 1 : SD5 is slave of SD3
7	sd4_slave	0	RW	Enables slave mode of SD4 0 : Normal mode of SD4 1 : SD4 is slave of SD3
5	sd2_slave	0	RW	Enables slave mode of SD2 0 : Normal mode of SD2 1 : SD2 is slave of SD1
4	sd5_fsel	0	RW	Selects between high and low frequency range 0 : 2 or 3MHz frequency (selectable by sd5_freque) 1 : 3 or 4MHz frequency (selectable by sd5_freque)
3	sd5_fast	0	RW	Selects a faster regulation mode for SD5 suitable for larger load changes. 0 : Normal mode, Cext=10μF 1 : Fast mode, Cext=22μF required
2	sd5_low_noise	0	RW	Enables low noise mode of SD5. If enabled smaller current pulses and output ripple is activated. 0 : Normal mode. Minimum current pulses of >100mA applied in skip mode. 1 : Low noise mode. Only minimum on time applied in skip mode.
1:0	-	'b00	N/A	-

Figure 74:
SD_control1 Register (Address 30h)

Addr: 30h		SD_control1		
Bit	Bit Name	Default	Access	Bit Description
7	sd4_low_noise	0	RW	Enables low noise mode of SD4. If enabled smaller current pulses and output ripple is activated. 0 : Normal mode. Minimum current pulses of >100mA applied in skip mode. 1 : Low noise mode. Only minimum on time applied in skip mode.
6	sd3_low_noise	0	RW	Enables low noise mode of SD3. If enabled smaller current pulses and output ripple is activated. 0 : Normal mode. Minimum current pulses of >100mA applied in skip mode. 1 : Low noise mode. Only minimum on time applied in skip mode.
5	sd2_low_noise	0	RW	Enables low noise mode of SD2. If enabled smaller current pulses and output ripple is activated. 0 : Normal mode. Minimum current pulses of >100mA applied in skip mode. 1 : Low noise mode. Only minimum on time applied in skip mode.
4	sd1_low_noise	0	RW	Enables low noise mode of SD1. If enabled smaller current pulses and output ripple is activated. 0 : Normal mode. Minimum current pulses of >100mA applied in skip mode. 1 : Low noise mode. Only minimum on time applied in skip mode.
3	sd4_fast	0	RW	Selects a faster regulation mode for SD4 suitable for larger load changes. 0 : Normal mode, Cext=10μF 1 : Fast mode, Cext=22μF required
2	sd3_fast	0	RW	Selects a faster regulation mode for SD3 suitable for larger load changes. 0 : Normal mode, Cext=10μF 1 : Fast mode, Cext=22μF required
1	sd2_fast	0	RW	Selects a faster regulation mode for SD2 suitable for larger load changes. 0 : Normal mode, Cext=10μF 1 : Fast mode, Cext=22μF required
0	sd1_fast	0	RW	Selects a faster regulation mode for SD1 suitable for larger load changes. 0 : Normal mode, Cext=10μF 1 : Fast mode, Cext=22μF required

Figure 75:
SD_control2 Register (Address 31h)

Addr: 31h		SD_control2		
Bit	Bit Name	Default	Access	Bit Description
7:6	sd_dvm_select	'b00	RW	Apply DVM counter to the following DC/DC converter 0 : Select SD1 for DVM 1 : Select SD2 for DVM 2 : Select SD3 for DVM 3 : Select SD5 for DVM
5:4	dvm_time	'b00	RW	Time steps of DVM voltage change of selected step down, if voltage of step Down is changed during operation (sd _x _vsel) voltage is decreased/increased by single steps 12.5mV 0 : 0 μ s, immediate change (no DVM) 1 : 4 μ s time delay between steps 2 : 8 μ s time delay between steps 3 : 16 μ s time delay between steps
3	sd4_fsel	0	RW	Selects between high and low frequency range 0 : 2 or 3MHz frequency (selectable by sd4_frequ) 1 : 3 or 4MHz frequency (selectable by sd4_frequ)
2	sd3_fsel	0	RW	Selects between high and low frequency range 0 : 2 or 3MHz frequency (selectable by sd3_frequ) 1 : 3 or 4MHz frequency (selectable by sd3_frequ)
1	sd2_fsel	0	RW	Selects between high and low frequency range 0 : 2 or 3MHz frequency (selectable by sd2_frequ) 1 : 3 or 4MHz frequency (selectable by sd2_frequ)
0	sd1_fsel	0	RW	Selects between high and low frequency range 0 : 2 or 3MHz frequency (selectable by sd1_frequ) 1 : 3 or 4MHz frequency (selectable by sd1_frequ)

Figure 76:
Supply_voltage_monitor Register (Address 32h)

Addr: 32h		Supply_voltage_monitor		
Bit	Bit Name	Default	Access	Bit Description
7	FastResEn	0	RW	0 : ResVoltFall debounce time = 3ms 1 : ResVoltFall debounce time = 4μs (tbd)
6	SupResEn	0	RW	0 : A reset is generated if V_{SUP} falls below 2.7V ⁽¹⁾ 1 : A reset is generated if V_{SUP} falls below ResVoltFall
5:3	ResVoltFall	'b000	RW	This value determines the reset level ResVoltFall for falling V_{SUP} . It is recommended to set this value at least 200mV lower than ResVoltRise (the levels differ between 3.3V and 5V supply) 0 : 2.7V / 3.6V 1 : 2.8V / 3.7V 2 : 2.9V / 3.8V 3 : 3.0V / 3.9V 4 : 3.1V / 4.0V 5 : 3.2V / 4.1V 6 : 3.3V / 4.2V 7 : 3.4V / 4.4V
2:0	ResVoltRise	'b000	RO (OTP)	This value determines the reset level ResVoltRise for rising V_{SUP} . It is recommended to set this value at least 200mV higher than ResVoltFall (the levels differ between 3.3V and 5V supply) 0 : 2.7V / 3.6V 1 : 2.8V / 3.7V 2 : 2.9V / 3.8V 3 : 3.0V / 3.9V 4 : 3.1V / 4.0V 5 : 3.2V / 4.1V 6 : 3.3V / 4.2V 7 : 3.4V / 4.4V

Note(s):

1. If V_{SUP} falls below ResVoltFall only an interrupt is generated (if enabled) and the μ Processor can shut down the system.

Figure 77:
Startup_Control Register (Address 33h)

Addr: 33h		Startup_Control		
Bit	Bit Name	Default	Access	Bit Description
7:2	-	'b000 0000	N/A	Do not use
1	reslevel_5v	0	RW	Selects the 5V supply reset level (see ResVoltRise and ResVoltFall) 0 : 3.3V level 1 : 5.0V level
0	power_off_at_vsuplow	0	RW	Switch on Power off mode if low V_{SUP} is detected during active or standby mode (Pin ON= low and bit auto_off=0) 0 : If low V_{SUP} is detected, V_{SUP} is continuously monitored and chip startup initiated if V_{SUP} is above ResVoltRise 1 : If low V_{SUP} is detected, enter power off mode

Figure 78:
ResetTimer Register (Address 34h)

Addr: 34h		ResetTimer		
Bit	Bit Name	Default	Access	Bit Description
7	-	'b0	N/A	Do not use
6	stby_reset_disable	0	RW	Disable Reset output signal (pin XRES) in standby mode. 0 : Normal mode, reset is active in standby mode 1 : No reset in standby mode and during exit of stand-by mode
5	auto_off	0	RO	Defines startup behavior at first V _{SUP} connection 0 : Startup of chip if V _{SUP} >ResVoltRise 1 : Enter power off mode (Startup with ON key)
4:3	off_delay	'b01	RW	Set delay between I ² C command, GPIO or Reset signal for power_off, standby mode or reset and execution of that command. 0 : No delay 1 : 8 ms 2 : 16 ms 3 : 32 ms
2:0	res_timer	'b000	RW	Set Reset Time, after the last regulator has started 0 : RESTIME = 2ms 1 : RESTIME = 4ms 2 : RESTIME = 8ms 3 : RESTIME = 16ms 4 : RESTIME = 32ms 5 : RESTIME = 64ms 6 : RESTIME = 128ms 7 : RESTIME = 160ms

Figure 79:
ReferenceControl Register (Address 35h)

Addr: 35h		ReferenceControl		
Bit	Bit Name	Default	Access	Bit Description
7	on_reset_delay	0	RW	Sets the on reset delay time 0 : 8 s (if onkey_reset=1) 1 : 4 s (if onkey_reset=1)
6	-	0	RW	-
5	clk_div2	0	RW	Divide internal clock oscillator by 2 to reduce quiescent current for low power operation 0 : Normal mode 1 : Internal clock frequency divided by two. All timings are increased by two. Switching frequency of all DC/DC converters are divided by two. Reduced transient performance of DC/DC converters.
4	standby_mode_on	0	RW	Setting to 1 sets the PMU into standby mode. All regulators are disabled except those regulators enabled by register Reg standby mode. XRES will be pulled to low. A normal startup of all regulators will be done with any interrupt (has to be enabled before entering standby mode). During this startup, regulators defined by Reg standby mode register are continuously on.
3:1	clk_int	'b000	RW	Sets the internal CLK frequency f_{CLK} used for fuel gauge, DC/DCs, PWM, ... 0 : 4 MHz (default) 1 : 3.8 MHz 2 : 3.6 MHz 3 : 3.4 MHz 4 : 3.2 MHz 5 : 3.0 MHz 6 : 2.8 MHz 7 : 2.6 MHz All frequencies, timings and delays in this datasheet are based on 4MHz clk_int
0	low_power_on	0	RW	Enable low power mode of internal reference. 0 : Standard mode 1 : Low power mode - all specification except noise parameters are still valid. Iq reduced by approx. 30 μ A

Figure 80:
ResetControl Register (Address 36h)

Addr: 36h		ResetControl			
Bit	Bit Name	Default	Access	Bit Description	
7	onkey_reset	0	RW	0 : Reset after 4/8 seconds ON pressed disabled 1 : Reset after 4/8 seconds ON pressed enabled	
6:3	reset_reason	'b0000	RW	Flags to indicate to the software the reason for the last reset 0 : V _{POR} has been reached (V _{SUP} connection from scratch) 1 : ResVoltFall was reached (V _{SUP} drop below 2.75V) 2 : Software forced by force_reset 3 : Software forced by power_off and ON was pulled high 4 : Software forced by power_off and charger was detected 5 : External triggered through the pin XRES 6 : Reset caused by overtemperature T140 7 : NA 8 : Reset caused by 4/8 seconds ON press 9 : NA 10 : NA 11 : Reset caused by interrupt in standby mode 12 : Reset caused by ON pulled high in standby mode	
2	on_input	0	R_PUSH	Read: This flag represents the state of the ON pad directly Write: Setting to 1 resets the 4/8 seconds. onkey_reset timer	
1	power_off	0	RW	Setting to 1 starts a reset cycle, but waits after the Reg_off state for a falling edge on the pin ON	
0	force_reset	0	RW	Setting to 1 starts a complete reset cycle	

Figure 81:
OvertemperatureControl Register (Address 37h)

Addr: 37h		OvertemperatureControl		
Bit	Bit Name	Default	Access	Bit Description
7	tco_140_a	b0	RO	Only used for production test
6	tco_110_a	b0	RO	Only used for production test
5:4	temp_test	b00	RW	
3	rst_ov_temp_140	0	RWP	If the overtemperature threshold 2 has been reached, the flag ov_temp_140 is set and a reset cycle is started. ov_temp_140 should be reset by writing 1 and afterward 0 to rst_ov_temp_140.
2	ov_temp_140	0	RO	Flag that the overtemperature threshold 2 (T140) has been reached - this flag is not reset by an overtemperature caused reset and has to be reset by rst_ov_temp_140.
1	ov_temp_110	0	RO	Flag that the overtemperature threshold 1 (T110) has been reached
0	temp_pmc_on	1	RO	Switch on / off the temperature supervision; default: on - all other bits are only valid if set to 1 leave at 1, do not disable

Figure 82:
Reg_standby_mod1 Register (Address 39h)

Addr: 39h		Reg_standby_mod1		
Bit	Bit Name	Default	Access	Bit Description
7	disable_regpd	0	RW	This bit disables the pulldown of all regulators 0 : Normal operation approx. 1kΩ pulldown of all regulators 1 : Pulldown disabled >100kΩ of all regulators
6	ldo2_stby_on	0	RW	Enable LDO2 in standby mode
5	ldo1_stby_on	0	RW	Enable LDO1 in standby mode
4	sd5_stby_on	0	RW	Enable Step down 4 in standby mode
3	sd4_stby_on	0	RW	Enable Step down 4 in standby mode
2	sd3_stby_on	0	RW	Enable Step down 3 in standby mode
1	sd2_stby_on	0	RW	Enable Step down 2 in standby mode
0	sd1_stby_on	0	RW	Enable Step down 1 in standby mode

Figure 83:
RegStatus Register (Address 73h)

Addr: 73h		RegStatus		
Bit	Bit Name	Default	Access	Bit Description
7:5	-	'b000	N/A	Do not use
4	sd5_lv	0	RO	Bit is set when voltage of SD5 drops below low voltage threshold (-5%) (1ms debounce time default)
3	sd4_lv	0	RO	Bit is set when voltage of SD4 drops below low voltage threshold (-5%) (1ms debounce time default)
2	sd3_lv	0	RO	Bit is set when voltage of SD3 drops below low voltage threshold (-5%) (1ms debounce time default)
1	sd2_lv	0	RO	Bit is set when voltage of SD2 drops below low voltage threshold (-5%) (1ms debounce time default)
0	sd1_lv	0	RO	Bit is set when voltage of SD1 drops below low voltage threshold (-5%) (1ms debounce time default)

Figure 84:
InterruptMask1 Register (Address 74h)

Addr: 74h		InterruptMask1		
Bit	Bit Name	Default	Access	Bit Description
7	LowVsup_int_m	1	RW	Set to 0 to enable the interrupt
6	ovtmp_int_m	1	RW	Set to 0 to enable the interrupt
5	onkey_int_m	1	RW	Set to 0 to enable the interrupt
4	sd5_lv_int_m	1	RW	Set to 0 to enable the interrupt
3	sd4_lv_int_m	1	RW	Set to 0 to enable the interrupt
2	sd3_lv_int_m	1	RW	Set to 0 to enable the interrupt
1	sd2_lv_int_m	1	RW	Set to 0 to enable the interrupt
0	sd1_lv_int_m	1	RW	Set to 0 to enable the interrupt

Figure 85:
InterruptMask2 Register (Address 75h)

Addr: 75h		InterruptMask2		
Bit	Bit Name	Default	Access	Bit Description
7:2	-	'b0000 00	N/A	Do not use

Addr: 75h		InterruptMask2		
Bit	Bit Name	Default	Access	Bit Description
1	gpio_restart_int_m	1	RW	Set to 0 to enable the interrupt
0	gpio_int_m	1	RW	Set to 0 to enable the interrupt

Figure 86:
InterruptStatus1 Register (Address 77h)

Addr: 77h		InterruptStatus1		
Bit	Bit Name	Default	Access	Bit Description
7	LowBat_int_i	0	POP	Bit is set when V_{SUP} drops below vres_fall rising edge only
6	ovtmp_int_i	0	POP	Bit is set when 110deg is exceeded rising edge only
5	onkey_int_i	0	POP	Rising and falling edge
4	sd5_lv_int_i	0	POP	Rising edge only
3	sd4_lv_int_i	0	POP	Rising edge only
2	sd3_lv_int_i	0	POP	Rising edge only
1	sd2_lv_int_i	0	POP	Rising edge only
0	sd1_lv_int_i	0	POP	Rising edge only

Figure 87:
InterruptStatus2 Register (Address 78h)

Addr: 78h		InterruptStatus2		
Bit	Bit Name	Default	Access	Bit Description
7:2	-	'b0000 00	N/A	Do not use
1	gpio_restart_int_i	0	POP	Falling edge
0	gpio_int_i	0	POP	Rising and falling edge

Figure 88:
ASIC_ID1 Register (Address 90h)

Addr: 90h		ASIC_ID1		
Bit	Bit Name	Default	Access	Bit Description
7:0	asic_id1	'b10001110	RO	-

Figure 89:
ASIC_ID2 Register (Address 91h)

Addr: 91h		ASIC_ID2		
Bit	Bit Name	Default	Access	Bit Description
7:4	fab_id	'b0000	RO	-
3:0	revision	'b0010	RO	Metal fuse!!!

Figure 90:
Fuse 3 Register (Address a3h)

Addr: a3h		Fuse3		
Bit	Bit Name	Default	Access	Bit Description
7	del_time	b0	RW	Selects delay time before the regulator startup 0 : Delay time 1ms if enabled 1 : Delay time 4ms if enabled
6	i2c_deva_bit1	b0	RW	Selects I ² C address 0 : I ² C address = 80h 1 : I ² C address = 82h
5	sequ_on	b0	RW	Startup sequence enabled if set
4	sd5_slave	b0	RW	Enables slave mode of SD5 0 : Normal mode of SD5 1 : SD5 is slave of SD3
3	sd2_slave	b0	RW	Enables slave mode of SD2 0 : Normal mode of SD2 1 : SD2 is slave of SD1
2	reslevel_5v	b0	RW	Selects the 5V supply reset level (see ResVoltRise and ResVoltFall) 0 : 3.3V level 1 : 5.0V level

Figure 91:
Fuse 4 Register (Address a4h)

Addr: a4h		Fuse4		
Bit	Bit Name	Default	Access	Bit Description
7	auto_off	b0	RW	Defines startup behavior at first VSUP connection 0 : Startup of chip if VSUP>ResVoltRise 1 : Enter power off mode (Startup with ON key)
6:4	res_timer	b000	RW	Set Rest Time, after the last regulator has started 0 : RESTIME = 2ms 1 : RESTIME = 4ms 2 : RESTIME = 8ms 3 : RESTIME = 16ms 4 : RESTIME = 32ms 5 : RESTIME = 64ms 6 : RESTIME = 128ms 7 : RESTIME = 160ms
3:1	ResVoltRise	b000	RW	This value determines the reset level ResVoltRise for rising VSUP. It is recommended to set this value at least 200mV higher than ResVoltFall (the level differ between 3.3V and 5V supply) 0 : 2.7V / 3.6V 1 : 2.8V / 3.7V 2 : 2.8V / 3.8V 3 : 3.0V / 3.9V 4 : 3.1V / 4.0V 5 : 3.2V / 4.1V 6 : 3.3V / 4.2V 7 : 3.4V / 4.4V
0	sd4_slave	b0	RW	Enables slave mode of SD4 0 : Normal mode of SD4 1 : SD4 is slave of SD3

Figure 92:
Fuse 5 Register (Address a5h)

Addr: a5h		Fuse5		
Bit	Bit Name	Default	Access	Bit Description
7	LDO1_gpio1_sel	b0	RW	Enable GPIO1 control of LDO1 0 : No GPIO control 1 : Controlled by GPIO1
6	SD5_gpio1_sel	b0	RW	Enable GPIO1 control of SD5 0 : No GPIO control 1 : Controlled by GPIO1
5	on_reset_delay	b0	RW	Sets the on reset delay time 0 : 8 s (if onkey_reset = 1) 1 : 4 s (if onkey_reset = 1)
4	onkey_reset	b0	RW	0 : Reset after 4/8 seconds ON pressed disabled 1 : Reset after 4/8 seconds ON pressed enabled
3	gpio12_in_en	b0	RW	Enables input_pulldown for gpio1,gpio2 if this bit is set 0 : gpio1_mode and gpio2_mode are default (b011) 1 : gpio1_mode and gpio2_mode set to (b101) input with pulldown
2	power_off_at_vsuplow	b0	RW	Switch on Power off mode if low VSUP is detected during active or stand-by mode (ON = low and auto_off = 0) 0 : If low VSUP is detected, VSUP is continuously monitored and chip startup initiated if VSUP is above ResVoltRise 1 : If low VSUP is detected, enter power off mode
1	sd1_5_fsel	b0	RW	Selects between high and low frequency range 0 : 2 or 3MHz frequency (selectable by sd1...sd5_frequ) 1 : 3 or 4MHz frequency (selectable by sd1...sd5_frequ)
0	sd1_5_fast	b0	RW	Selects a faster regulation mode for SD1...SD5 suitable for larger load changes 0 : Normal mode, Cout (according spec) 1 : Fast mode, 2 x Cout (according spec)

Figure 93:
Fuse6 Register (Address a6h)

Addr: a6h		Fuse6		
Bit	Bit Name	Default	Access	Bit Description
7	sd3_gpio1_sel	b0	RW	Enable GPIO1 control of SD3 0 : No GPIO control 1 : Controlled by GPIO1
6	sd2_gpio1_sel	b0	RW	Enable GPIO1 control of SD2 0 : No GPIO control 1 : Controlled by GPIO1
5	sd1_gpio1_sel	b0	RW	Enable GPIO1 control of SD1 0 : No GPIO control 1 : Controlled by GPIO1
4	Reg6_delay	b0	RW	0 : No delay before the startup 1 : 1 / 4 ms delay before the startup
3	Reg5_delay	b0	RW	0 : No delay before the startup 1 : 1 / 4 ms delay before the startup
2	Reg4_delay	b0	RW	0 : No delay before the startup 1 : 1 / 4 ms delay before the startup
1	Reg3_delay	b0	RW	0 : No delay before the startup 1 : 1 / 4 ms delay before the startup
0	Reg2_delay	b0	RW	0 : No delay before the startup 1 : 1 / 4 ms delay before the startup

Figure 94:
Fuse7 Register (Address a7h)

Addr: a7h		Fuse7		
Bit	Bit Name	Default	Access	Bit Description
7:4	Reg2_addr	b0000	RW	Define startup regulator 2 0 : SD1 (0h) 1 : SD2 (1h) 2 : SD3 (2h) 3 : SD4 (3h) 4 : SD5 (4h) 5 : LDO1 (5h) 6 : LDO2 (6h) 7 : GPIO1 (ch) 8 : GPIO2 (dh) 9 : NA (fh)
3:0	Reg1_addr	b0000	RW	Define startup regulator 1 0 : SD1 (0h) 1 : SD2 (1h) 2 : SD3 (2h) 3 : SD4 (3h) 4 : SD5 (4h) 5 : LDO1 (5h) 6 : LDO2 (6h) 7 : GPIO1 (ch) 8 : GPIO2 (dh) 9 : NA (fh)

Figure 95:
Fuse 8 Register (Address a8h)

Addr: a8h		Fuse8		
Bit	Bit Name	Default	Access	Bit Description
7:0	reg1_V	b00000000	RW	Define startup voltage for regulator 1

Figure 96:
Fuse 9 Register (Address a9h)

Addr: a9h		Fuse9		
Bit	Bit Name	Default	Access	Bit Description
7:0	reg2_V	b00000000	RW	Define startup voltage for regulator 2

Figure 97:
Fuse 10 Register (Address aah)

Addr: aah		Fuse10		
Bit	Bit Name	Default	Access	Bit Description
7:4	Reg4_addr	b0000	RW	Define startup regulator 4 0 : SD1 (0h) 1 : SD2 (1h) 2 : SD3 (2h) 3 : SD4 (3h) 4 : SD5 (4h) 5 : LDO1 (5h) 6 : LDO2 (6h) 7 : GPIO1 (ch) 8 : GPIO2 (dh) 9 : NA (fh)
3:0	Reg3_addr	b0000	RW	Define startup regulator 3 0 : SD1 (0h) 1 : SD2 (1h) 2 : SD3 (2h) 3 : SD4 (3h) 4 : SD5 (4h) 5 : LDO1 (5h) 6 : LDO2 (6h) 7 : GPIO1 (ch) 8 : GPIO2 (dh) 9 : NA (fh)

Figure 98:
Fuse 11 Register (Address abh)

Addr: abh		Fuse11		
Bit	Bit Name	Default	Access	Bit Description
7:0	reg3_V	b00000000	RW	Define startup voltage for regulator 3

Figure 99:
Fuse 12 Register (Address a8h)

Addr: ach		Fuse12		
Bit	Bit Name	Default	Access	Bit Description
7:0	reg4_V	b00000000	RW	Define startup voltage for regulator 4

Figure 100:
Fuse 13 Register (Address adh)

Addr: adh		Fuse13		
Bit	Bit Name	Default	Access	Bit Description
7:4	Reg6_addr	b0000	RW	Define startup regulator 6 0 : SD1 (0h) 1 : SD2 (1h) 2 : SD3 (2h) 3 : SD4 (3h) 4 : SD5 (4h) 5 : LDO1 (5h) 6 : LDO2 (6h) 7 : GPIO1 (ch) 8 : GPIO2 (dh) 9 : NA (fh)
3:0	Reg5_addr	b0000	RW	Define startup regulator 5 0 : SD1 (0h) 1 : SD2 (1h) 2 : SD3 (2h) 3 : SD4 (3h) 4 : SD5 (4h) 5 : LDO1 (5h) 6 : LDO2 (6h) 7 : GPIO1 (ch) 8 : GPIO2 (dh) 9 : NA (fh)

Figure 101:
Fuse 14 Register (Address aeh)

Addr: aeh		Fuse14		
Bit	Bit Name	Default	Access	Bit Description
7:0	reg5_V	b00000000	RW	Define startup voltage for regulator 5

Figure 102:
Fuse 15 Register (Address afh)

Addr: afh		Fuse15		
Bit	Bit Name	Default	Access	Bit Description
7:0	reg6_V	b00000000	RW	Define startup voltage for regulator 6

Application Information

Figure 103:
Application Schematic

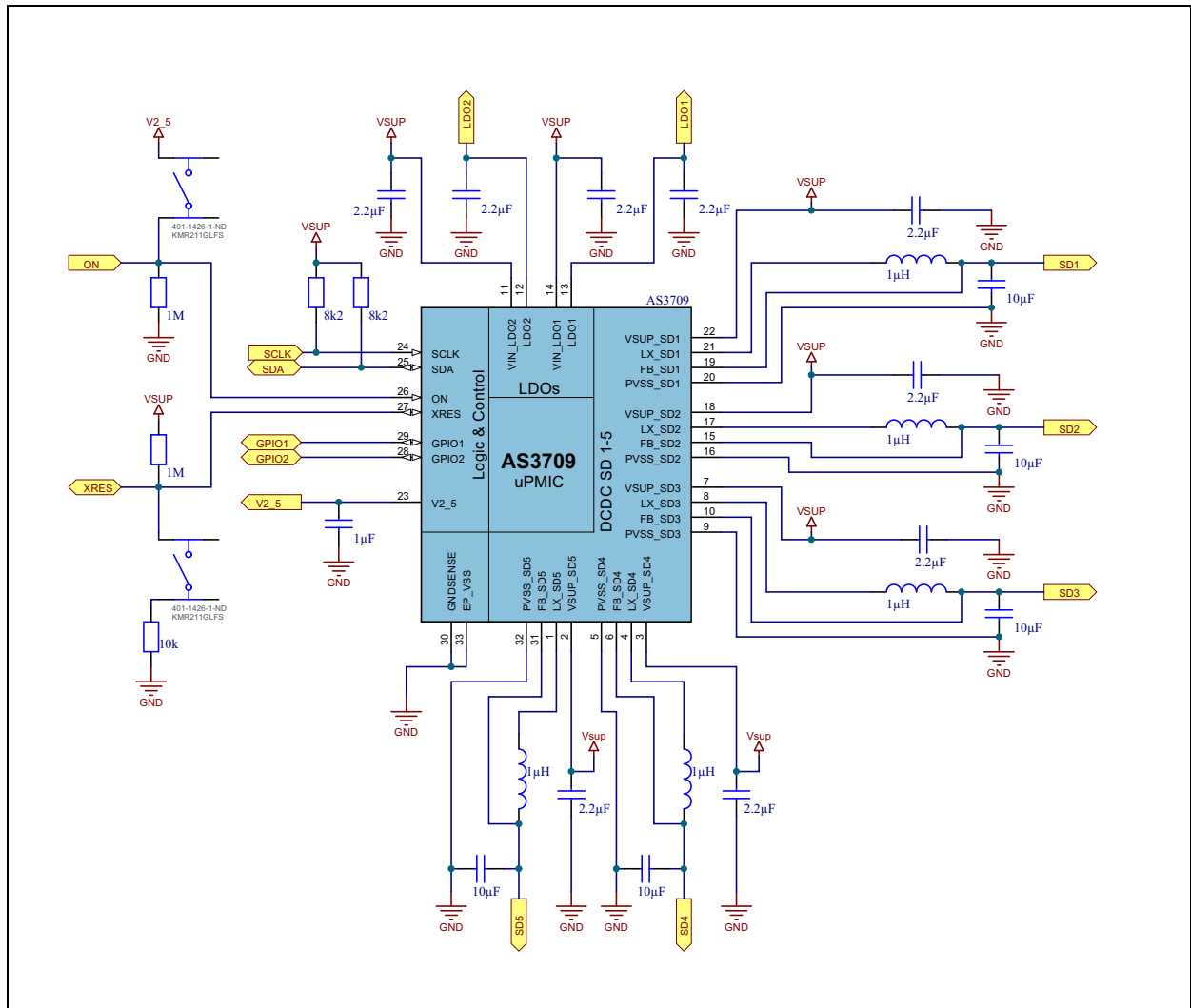
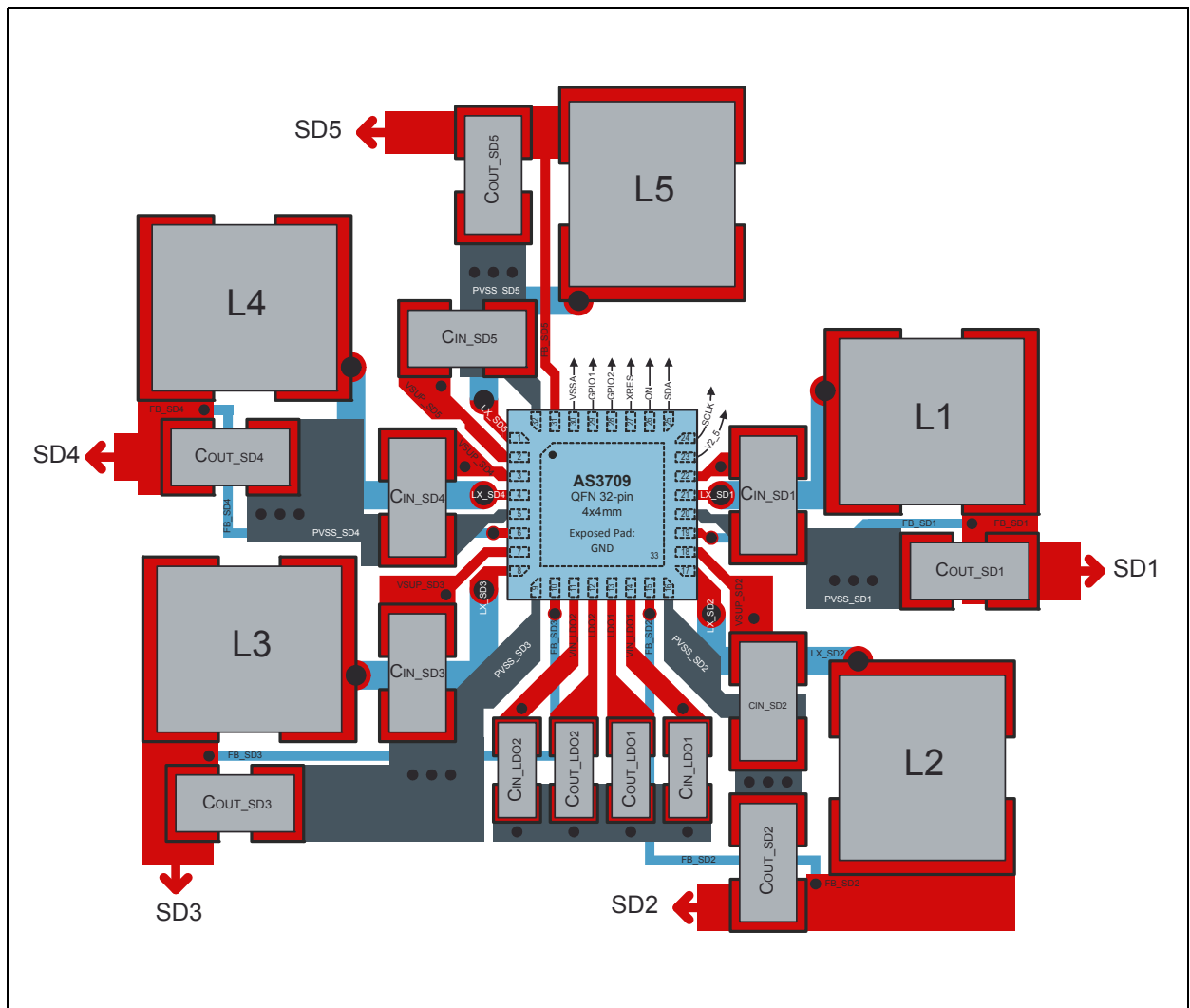
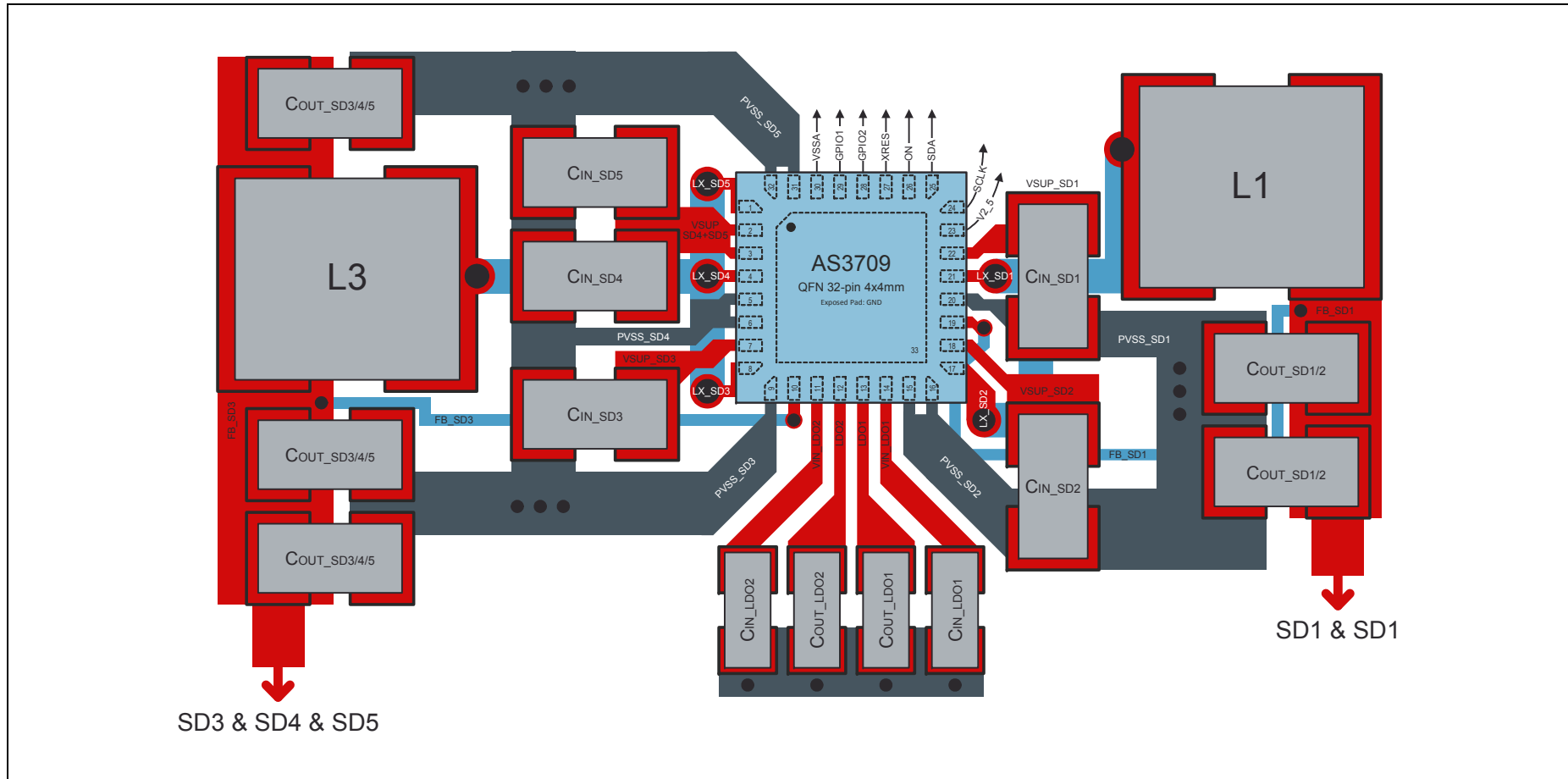


Figure 104:
Layout Guidelines 1/3



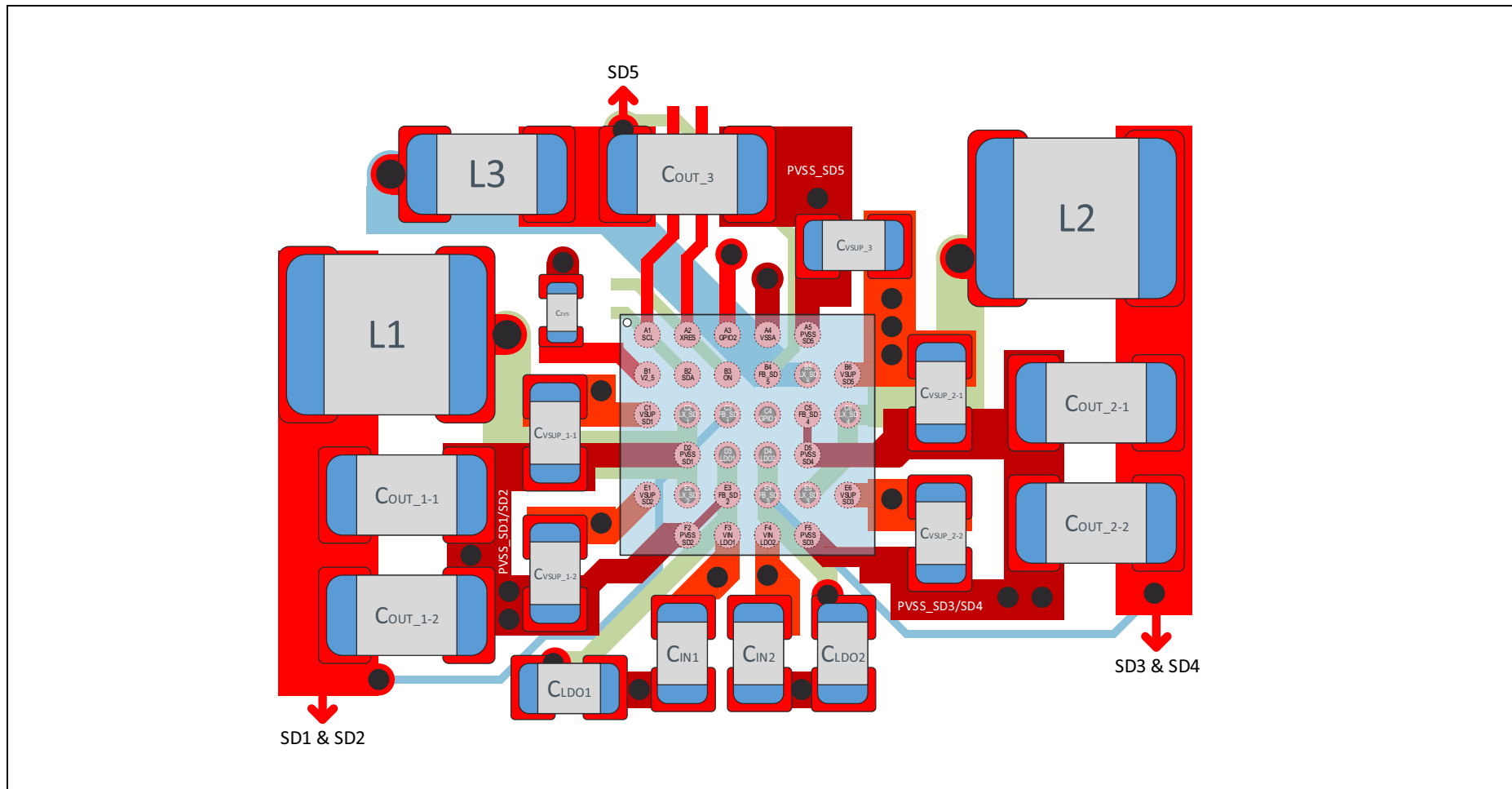
Layout Guidelines 1/3: This figure shows the recommended layout and placement of the external components for the 5 x 1A application circuit. Red lines and areas are connections on TOP layer. Grey lines and areas are GND and PVSS connections on TOP layer. Light blue lines and areas are connections on an inner layer or BOTTOM layer. Black round dots are vias. VSUP areas should be connected to an inner VSUP plane via vias. GND and PVSS areas should be connected to an inner GND plane via vias. A PCB with minimum 4 layers is recommended.

Figure 105:
Layout Guidelines 2/3



Layout Guidelines 2/3: This figure shows the recommended layout and placement of the external components for the 1 x 2A & 1 x 3A application circuit. Red lines and areas are connections on TOP layer. Grey lines and areas are GND and PVSS connections on TOP layer. Light blue lines and areas are connections on an inner layer or BOTTOM layer. Black round dots are vias. VSUP areas should be connected to an inner VSUP plane via vias. GND and PVSS areas should be connected to an inner GND plane via vias. A PCB with minimum 4 layers is recommended.

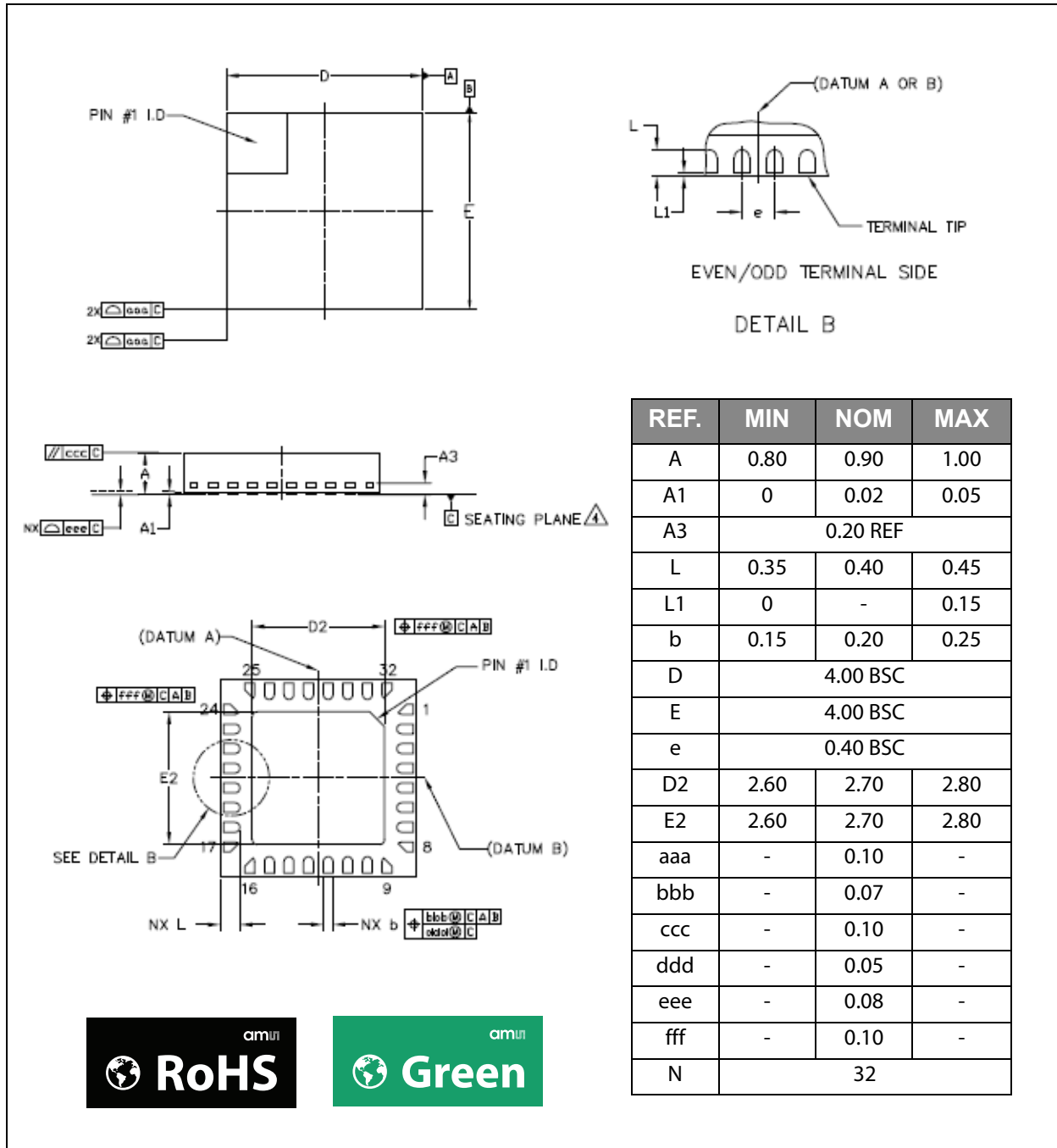
Figure 106:
WL-CSP Layout Guidelines 3/3



Layout Guidelines 3/3: This figure shows the recommended layout and placement of the external components for the 1 x 1A & 2 x 2A application circuit. Red lines and areas are connections on TOP layer. Dark red lines and areas are GND and PVSS lines on TOP layer. Orange lines and areas are VSUP lines on TOP layer. Light green lines and areas are connections on an inner layer and light blue lines and areas are connections on BOTTOM layer. Black round dots are vias. VSUP areas should be connected to an inner VSUP plane via vias. GND and PVSS areas should be connected to an inner GND plane via vias. A PCB with min 6 layers is recommended.

Package Drawings & Markings

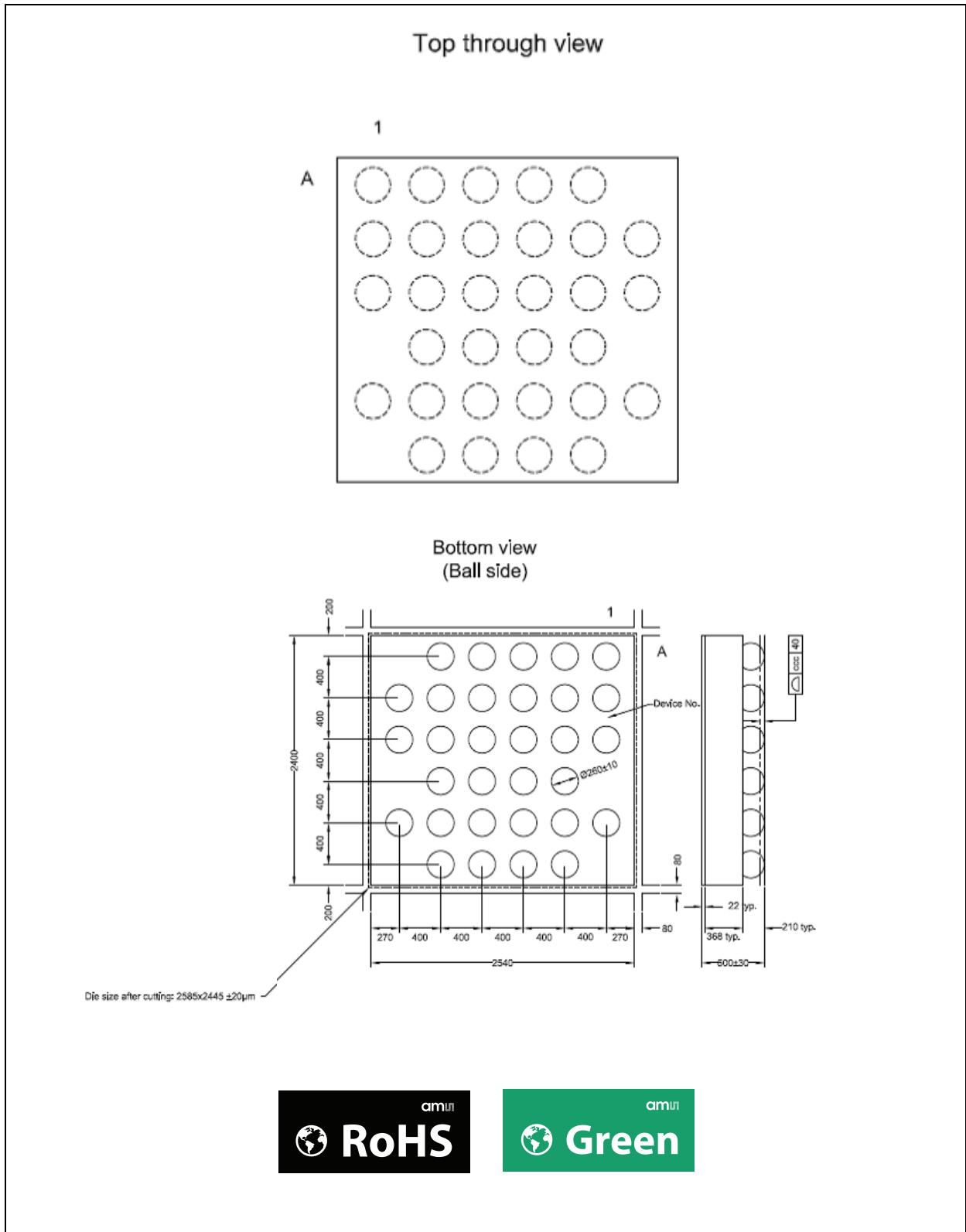
Figure 107:
QFN32 4x4 0.4mm Pitch Package Drawing



Note(s):

1. Dimensioning and tolerancing conform to ASME Y14.5M-1994.
2. All dimensions are in millimeters. Angles are in degrees.
3. Dimension b applies to metallized terminal and is measured between 0.25mm and 0.30mm from terminal tip. Dimension L1 represents terminal full back from package edge up to 0.15mm is acceptable.
4. Coplanarity applies to the exposed heat slug as well as the terminal.
5. Radius on terminal is optional.
6. N is the total number of terminals.

Figure 108:
WL-CSP36 0.4mm Pitch Package Drawing



Note(s):

1. Pin 1 = A1
2. ccc Coplanarity
3. All linear dimensions are in μm

Figure 109:
QFN Marking

QFN Marking: Shows the package marking of the QFN product version.

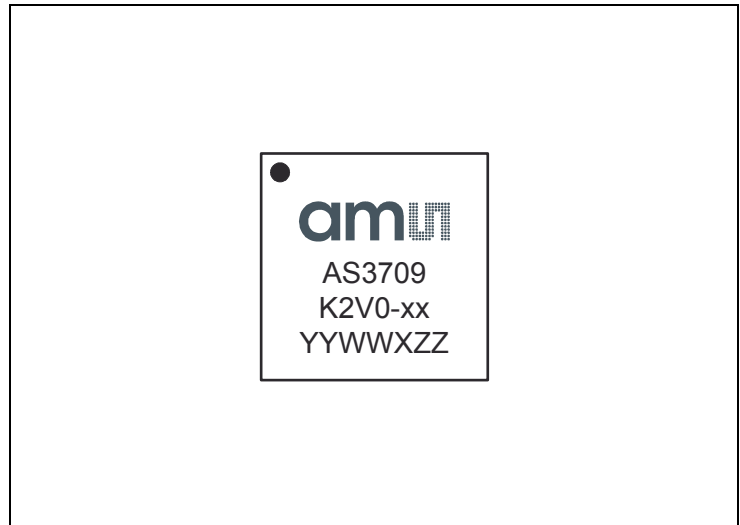


Figure 110:
QFN Package Code

YY	WW	X	ZZ
Year	Manufacturing week	Plant identifier	Free choice

Figure 111:
Start-Up Revision Code

Revision Code	Sequence
K2V0-ES	Engineering samples, no sequence programmed or sequence programmed on request
K2V0-00	Standard programming (no sequence programmed)
K2V0-xx	Customer specified sequence programmed during production test

Figure 112:
WL-CSP Marking

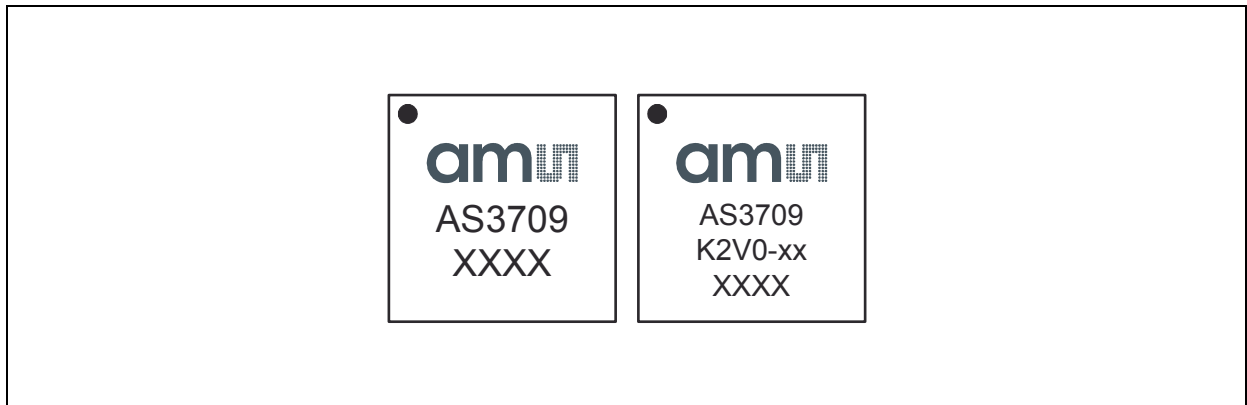


Figure 113:
WL-CSP Code

XXXX
Tracecode

Figure 114:
Start-Up Revision Code

Revision Code	Sequence
K2V0-ES	Engineering samples, no sequence programmed or sequence programmed on request
"empty"	Standard programming (no sequence programmed)
K2V0-00	Standard programming (no sequence programmed)
K2V0-xx	Customer specified sequence programmed during production test

Ordering & Contact Information

Figure 115:
Ordering Information

Ordering Code	Package	Marking	OTP Programming	Delivery Form	Delivery Quantity
AS3709-BQFR-ES	32-pin QFN 4x4	K2V0-ES	Sequence programmable on request	Tray	Max. 50 pcs
AS3709-BQFM-00	32-pin QFN 4x4	K2V0-00	Default sequence	Tape & Reel (mini reel)	1000 pcs/reel
AS3709-BQFM-??	32-pin QFN 4x4	K2V0-??	Customer specified sequence	Tape & Reel (mini reel)	1000 pcs/reel
AS3709-BQFT-??	32-pin QFN 4x4	K2V0-??	Customer specified sequence	Tape & Reel	6000 pcs/reel
AS3709-BWLW-ES	36-ball WL-CSP	K2V0-ES	Sequence programmable on request	Waffle Pack	Max. 50 pcs
AS3709-BWLM-00	36-ball WL-CSP	K2V0-00	Default sequence	Tape & Reel (mini reel)	1000 pcs/reel
AS3709-BWLM-??	36-ball WL-CSP	K2V0-0??	Customer specified sequence	Tape & Reel (mini reel)	1000 pcs/reel
AS3709-BWLT-??	36-ball WL-CSP	K2V0-??	Customer specified sequence	Tape & Reel	6000 pcs/reel

Buy our products or get free samples online at:

www.ams.com/ICdirect

Technical Support is available at:

www.ams.com/Technical-Support

Provide feedback about this document at:

www.ams.com/Document-Feedback

For further information and requests, e-mail us at:

ams_sales@ams.com

For sales offices, distributors and representatives, please visit:

www.ams.com/contact

Headquarters

ams AG
Tobelbader Strasse 30
8141 Premstaetten
Austria, Europe

Tel: +43 (0) 3136 500 0

Website: www.ams.com

RoHS Compliant & ams Green Statement

RoHS: The term RoHS compliant means that ams AG products fully comply with current RoHS directives. Our semiconductor products do not contain any chemicals for all 6 substance categories, including the requirement that lead not exceed 0.1% by weight in homogeneous materials. Where designed to be soldered at high temperatures, RoHS compliant products are suitable for use in specified lead-free processes.

ams Green (RoHS compliant and no Sb/Br): ams Green defines that in addition to RoHS compliance, our products are free of Bromine (Br) and Antimony (Sb) based flame retardants (Br or Sb do not exceed 0.1% by weight in homogeneous material).

Important Information: The information provided in this statement represents ams AG knowledge and belief as of the date that it is provided. ams AG bases its knowledge and belief on information provided by third parties, and makes no representation or warranty as to the accuracy of such information. Efforts are underway to better integrate information from third parties. ams AG has taken and continues to take reasonable steps to provide representative and accurate information but may not have conducted destructive testing or chemical analysis on incoming materials and chemicals. ams AG and ams AG suppliers consider certain information to be proprietary, and thus CAS numbers and other limited information may not be available for release.

Copyrights & Disclaimer

Copyright ams AG, Tobelbader Strasse 30, 8141 Premstaetten, Austria-Europe. Trademarks Registered. All rights reserved. The material herein may not be reproduced, adapted, merged, translated, stored, or used without the prior written consent of the copyright owner.

Devices sold by ams AG are covered by the warranty and patent indemnification provisions appearing in its General Terms of Trade. ams AG makes no warranty, express, statutory, implied, or by description regarding the information set forth herein. ams AG reserves the right to change specifications and prices at any time and without notice. Therefore, prior to designing this product into a system, it is necessary to check with ams AG for current information. This product is intended for use in commercial applications. Applications requiring extended temperature range, unusual environmental requirements, or high reliability applications, such as military, medical life-support or life-sustaining equipment are specifically not recommended without additional processing by ams AG for each application. This product is provided by ams AG "AS IS" and any express or implied warranties, including, but not limited to the implied warranties of merchantability and fitness for a particular purpose are disclaimed.

ams AG shall not be liable to recipient or any third party for any damages, including but not limited to personal injury, property damage, loss of profits, loss of use, interruption of business or indirect, special, incidental or consequential damages, of any kind, in connection with or arising out of the furnishing, performance or use of the technical data herein. No obligation or liability to recipient or any third party shall arise or flow out of ams AG rendering of technical or other services.

Document Status

Document Status	Product Status	Definition
Product Preview	Pre-Development	Information in this datasheet is based on product ideas in the planning phase of development. All specifications are design goals without any warranty and are subject to change without notice
Preliminary Datasheet	Pre-Production	Information in this datasheet is based on products in the design, validation or qualification phase of development. The performance and parameters shown in this document are preliminary without any warranty and are subject to change without notice
Datasheet	Production	Information in this datasheet is based on products in ramp-up to full production or full production which conform to specifications in accordance with the terms of ams AG standard warranty as given in the General Terms of Trade
Datasheet (discontinued)	Discontinued	Information in this datasheet is based on products which conform to specifications in accordance with the terms of ams AG standard warranty as given in the General Terms of Trade, but these products have been superseded and should not be used for new designs

Revision Information

Changes from 1-04 (2016-Aug-22) to current revision 1-06 (2017-Mar-01)	Page
1-04 (2016-Aug-22) to 1-05 (2017-Feb-22)	
Updated Figure 1	1
Updated Figure 5	4
Updated Figure 48	39
Updated Fuse 3 Register	66
Updated Figure 115	81
1-05 (2017-Feb-22) to 1-06 (2017-Mar-01)	
Updated Figure 48	39
Updated Fuse 3 Register	66

Note(s):

1. Page and figure numbers for the previous version may differ from page and figure numbers in the current revision.
2. Correction of typographical errors is not explicitly mentioned.

Content Guide

1	General Description
1	Key Benefits & Features
2	Applications
2	Block Diagram
3	Pin Assignments
6	Absolute Maximum Ratings
8	Electrical Characteristics
9	Detailed Description - Power Management Functions
9	Step Down DC/DC Converter
10	Mode Settings
13	Step Down Converter Configuration Modes
16	Parameters
22	Universal IO LDO Regulators
23	Parameter
24	Low Power LDO V2_5 Regulator
24	Parameter
25	Detailed Description - System Functions
25	Start-Up
25	Normal Start-Up
25	Parameter
30	Reset
30	RESET Reasons
31	Parameter
33	Stand-By
33	Internal References
33	Low Power Mode
34	GPIO Pins
35	IO Functions
37	Supervisor
37	Temperature Supervision
38	Interrupt Generation
38	2-Wire-Serial Control Interface
38	Feature List
39	I ² C Protocol
42	I ² C Parameter
43	Register Description
46	Detailed Register Description
73	Application Information
77	Package Drawings & Markings
81	Ordering & Contact Information
82	RoHS Compliant & ams Green Statement
83	Copyrights & Disclaimer
84	Document Status
85	Revision Information