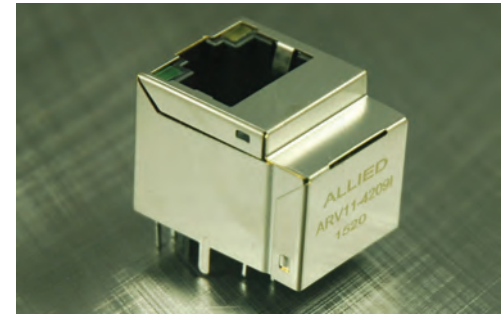




Single Port Vertical Mount RJ45

ARV11-4209I

- 10/100 Base-T for Ethernet Applications
- For PoE Applications up to 600mA DC Max
- Meets IEEE802.3af standards
- Industrial Temp: -40°C to +85°C
- Available in other Circuit Designs



Electrical Specifications @ 25°C

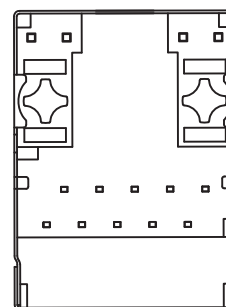
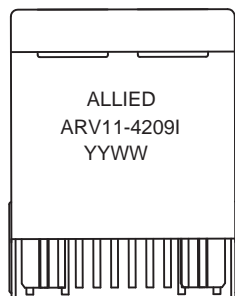
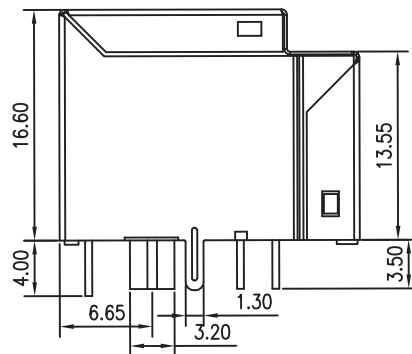
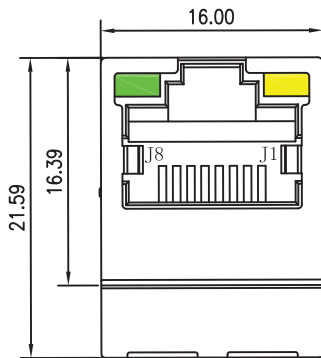
Part Number	OCL(uH Min) @ 100kHz, 0.1V	Turns Ratio chip: cable (±3%)	DCR Ω Max	Cross Talk (dB Min)			Insertion Loss (dB Min)
	With 8mA DC Bias			1-30MHz	30-60MHz	60-100MHz	
ARV11-4209I	350	1CT:1CT	1.2	-40	-35	-30	1.0~100MHz -1.0

Electrical Specifications @ 25°C

Part Number	Common Mode Rejection (dB Max)		Return Loss (dB Min)			Hi-Pot Test Min
	1~50MHz	50~100MHz	1-30MHz	30-60MHz	60-100MHz	
ARV11-4209I	-30	-20	-18	-15	-12	1500Vrms

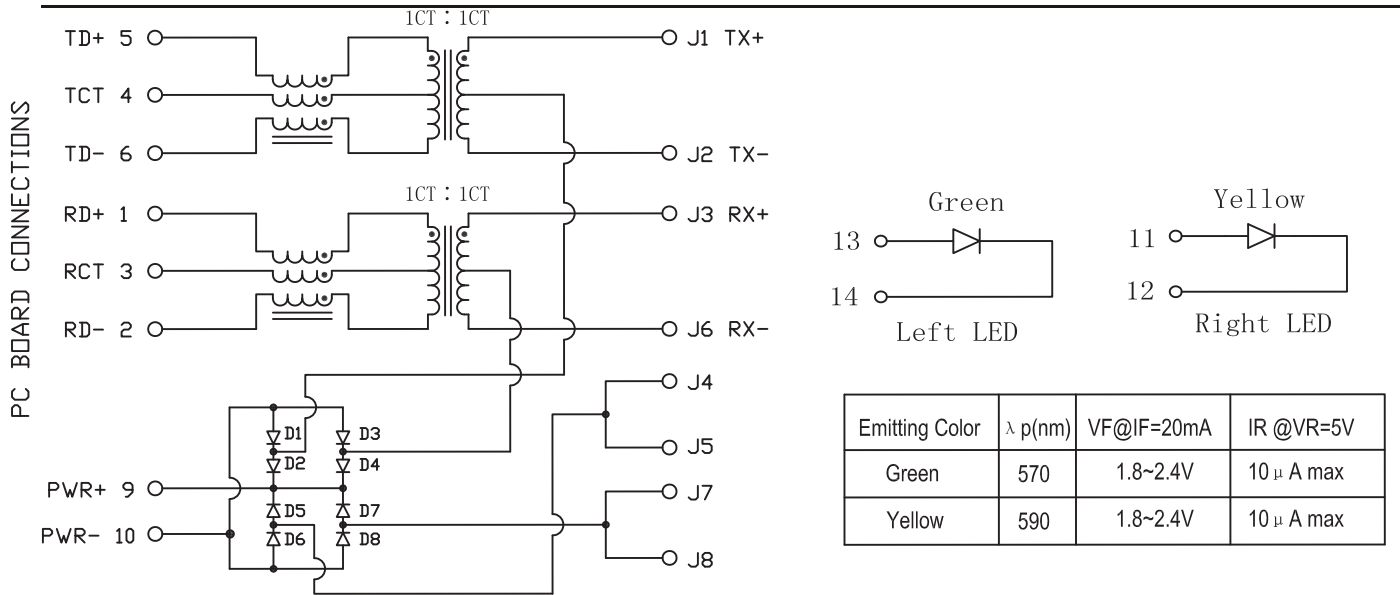
All specifications subject to change without notice.

MECHANICAL

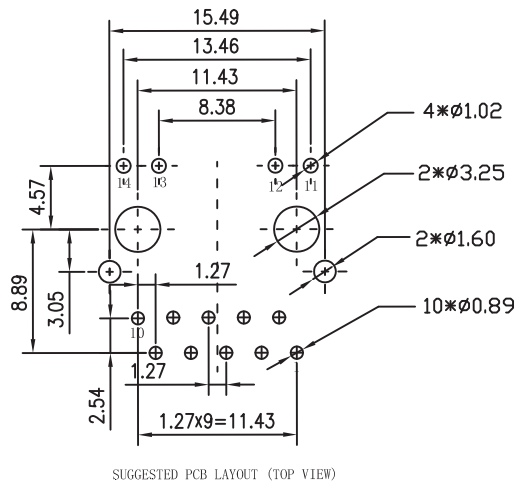




**SCHEMATICS**



**PCB LAYOUT**



**NOTES**

- Connector Materials:
- Housing Material: Thermoplastic PBT+30%G.F UL94V-0
- Contact Material: Phosphor Bronze C5210R-EH Thickness=0.35mm
- Pins: Brass C2680R-H Thickness=0.35mm
- Shield: SUS 201-1/2H Thickness=0.2mm
- Contact plating: Gold 6 micro-inches min. In contact area.
- Wave solder tip temperature: 265°C Max, 5 Sec Max