



Single Port Low Profile 5G RJ45

ARLP11-4602I



- 5G Base-T for LAN and other Ethernet Applications
- Low Profile Design
- Industrial Operating Temp. Range: -40°C to +85°C

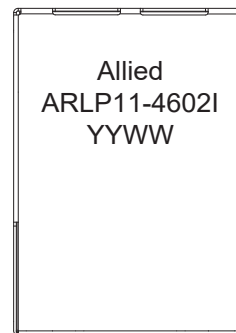
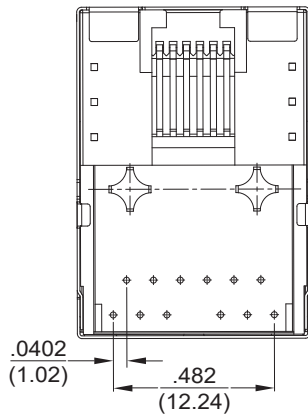
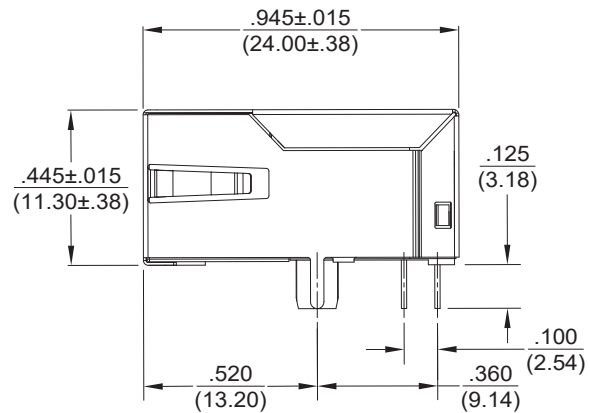
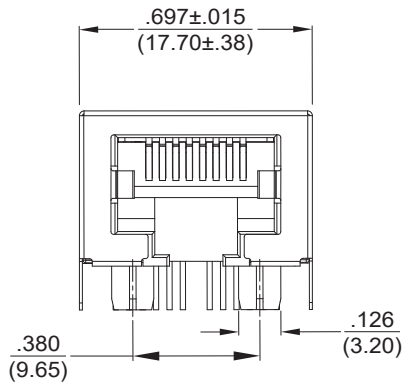
Electrical Specifications @ 25°C						
OCL(μH Min) @100KHZ, 0.1V With 8mA DC Bias	Turns Ratio @100KHZ, 0.1V (1:1±2%)			Return Loss (dB Min) Min Load 100Ω		
	P11-P10 : J1-J2	P4-P5 : J3-J6	P3-P2 : J4-J5	P8-P9 : J7-J8	1-40MHz	40-250MHz
160					-20	-120+15*log(f/40)

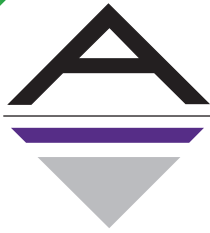
Electrical Specifications @ 25°C							
Insertion Loss (dB Max)			Cross Talk (dB Min)		CMR (dB Min)		Hi-Pot Input to Output 1mA, 60S 1500VAC
1-50MHz	50-125MHz	125-250MHz	1-125MHz	125-250MHz	1-125MHz	125-250MHz	
-0.5	-1.0	-2.0	-30	-25	-30	-25	

All specificatins subject to change without notice.

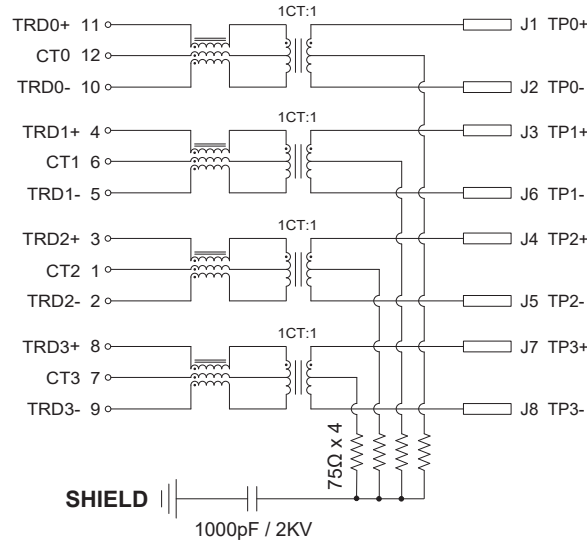
MECHANICAL

Dimensions: $\frac{\text{inch}}{\text{mm}}$



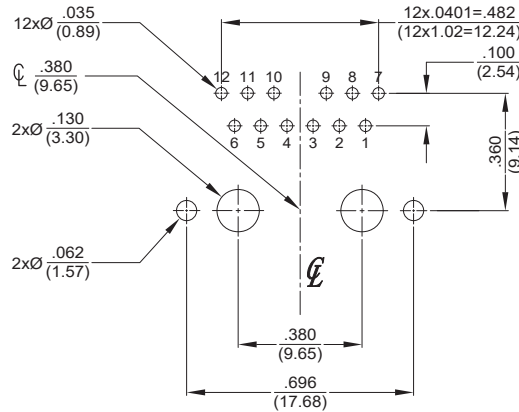


SCHEMATIC



PCB LAYOUT

Dimensions: $\frac{\text{inch}}{\text{mm}}$



Tolerance: $\pm .002(0.05)$ T=.063(1.60)

NOTES

1. **Shield:** 0.20mm Thick Brass C2680H
Plating Nickel 20 μ Min
2. **Housing:** Plastic: LCP, Glass Fiber Filled
UL94V-0, Color Black
3. **Contact Pin:** Plastic: LCP, Glass Fiber Filled
UL94V-0, Color Black
Pin: 0.35mm Thick Phosphor Bronze C5210 EH
Plating: Nickel 30 μ "-60 μ " for all and Sn 100%
and Gold Plating 30 μ H
4. **Insert Pin:** Plastic: High Temperature Plastics
UL94V-0, Color Black
Pin: 0.35mm Thick C2680
Plating: Sn all over 30 μ "-60 μ " Nickel