

# ARK14127CHSSLT



Sample image

**Order symbol:** ARK14127CHSSLT

**Product nbr:** 8561597

**Description:** PC Enclosure

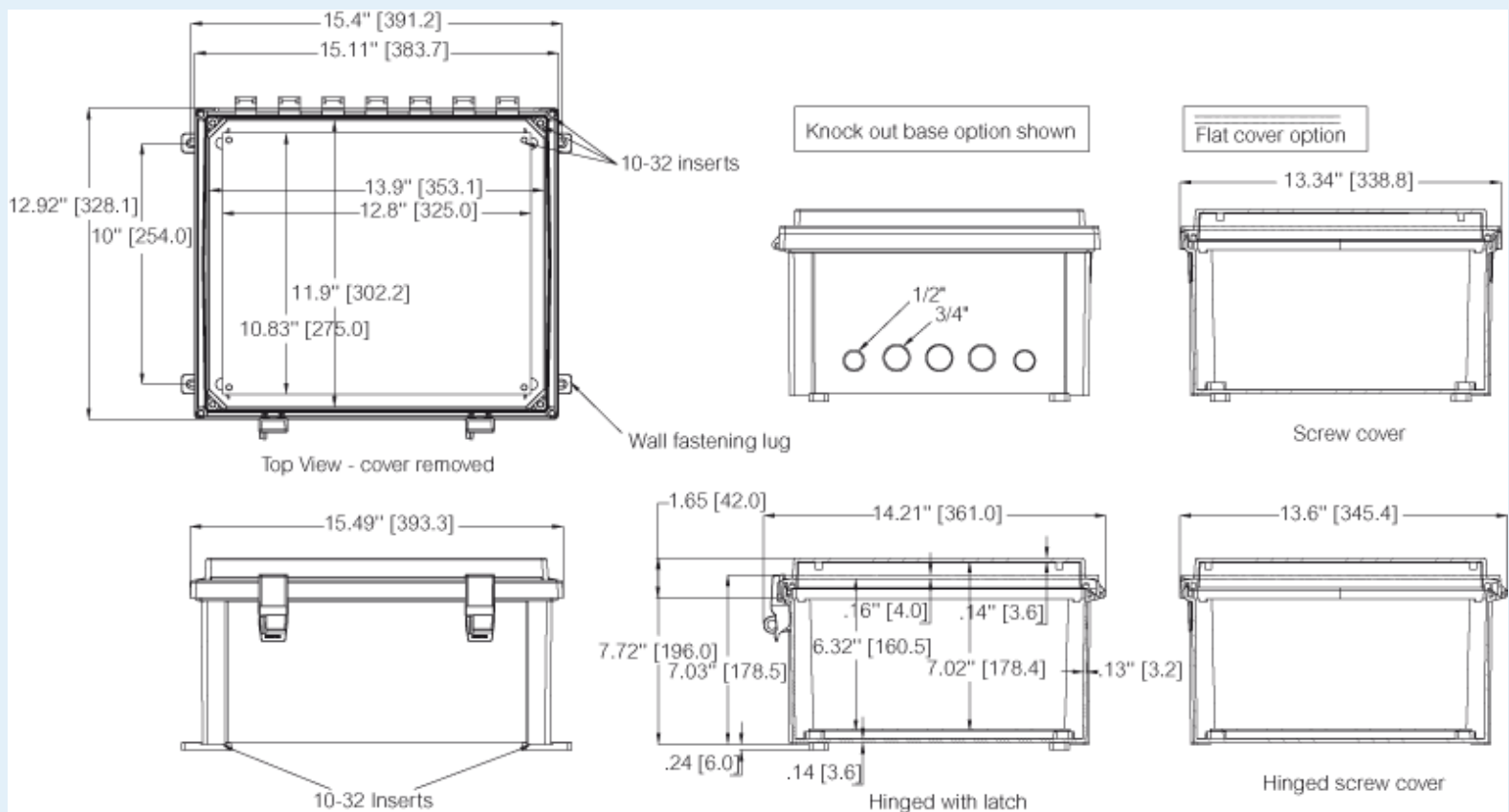
**Remarks:** Hinged transparent cover w/S.S. Lockable latch. Base includes 1/2 and 3/4 inch knock-outs

**EAN:** 6418074097736

**El. number:**

- Finland:
- Denmark:
- Sweden:

**Including:** Hinged cover. Base with 10-32 brass inserts, latched cover with formed in place PUR gasket, stainless hinge pin. Base with 1/2 and 3/4 inch knock-outs. Quick release latches. Enclosure mounting foot kit. Accessory 10-32 screws for panel mounting.



Dimensions:	Height	Width	Depth
mm:	356	305	178

Accessories:	
ABP1412	Painted Steel Back Panel

inch: 14 12 7

#### Materials:

Material: Polycarbonate  
Base colour: RAL 7035 -light grey  
Cover colour: Transparent  
Gasket material: Polyurethane

#### Temperatures:

Temperature °C (short term):: -40 ... 140  
Temperature °C (continuous): -40 ... 80  
Temperature °F (short term): -40 ... 250  
Temperature °F (continuous): -40 ... 175

(325 x 274)

ASP1412 Aluminum Swing Panel  
(305 x 355.7 x 0)  
ASPHK14 Swing Panel Kit w/o Panel  
AMFL12 12" Mounting Flange Set  
ADFP1412 Dead Front Panel w/ screws  
(308 x 357.5 x 0)  
ALBP1412 Aluminum Back Panel  
(325 x 274)  
APBP1412 PVC Back Panel  
(325 x 274)  
ASPK1412 Swing Panel Kit incl. Panel

#### Rating:

Ingress protection (EN 60529): IP66; IP67;  
Impact Resistance (EN 62262): IK09;  
Electrical insulation: Not insulated  
Halogen free (DIN/VDE 0472,  
Part 815): 1  
UV resistance: UL 508  
Flammability Rating: UL 508  
Glow Wire Test (IEC 695-2-1)  
°C: 960 °C  
NEMA Class NEMA 4, 4X, 6, 6P, 12, 12K  
and 13

#### Certificates: