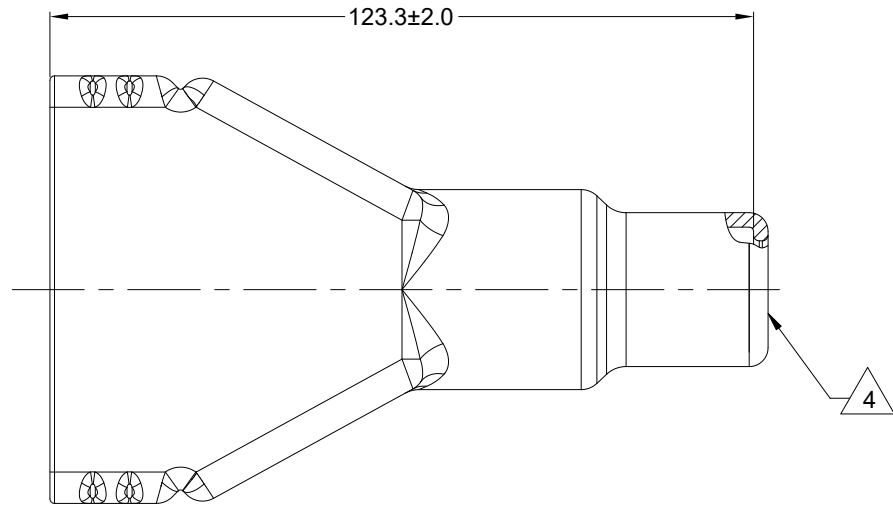
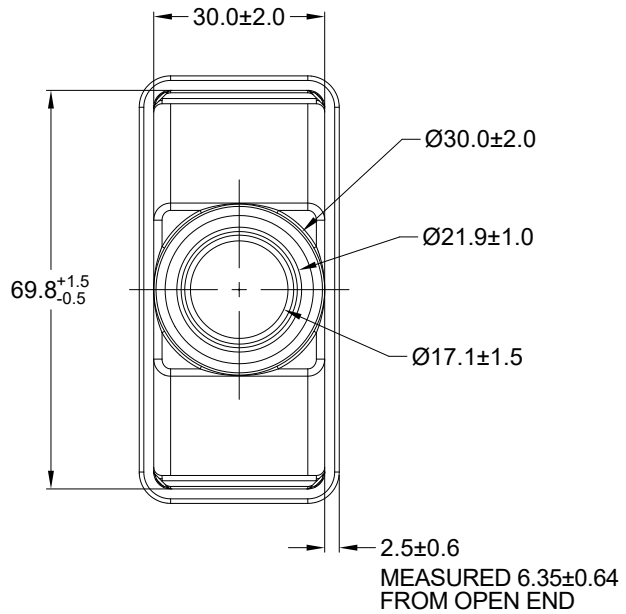


REVISIONS					
REV	ECO	DESCRIPTION	DATE	BY	APPR
A1		RELEASE NEW DRAWING	05APR21	SULLEN	TOMMY



NOTES: UNLESS OTHERWISE SPECIFIED

- THIS PART IS USED ON ARC12-40PX(R) RECEPTACLE AND ARC18-40SX(R)-XXXX PLUG WHERE X = A,B,C,D KEYS AND XXXX = MODIFICATION.
- TEMPERATURE RATING : -29°C TO +100°C [-20°F TO +212°F]
- BOTTOM OF PART MOLDED OPEN.
- SMALL MATERIAL EXTENSION IS ACCEPTABLE ON THIS END ALL AROUND
- ALL DIMENSIONS ARE FOR REFERENCE USE ONLY.

ARC40-BT		REF DRC40-BT		
PART NUMBER		DESCRIPTION		ITEM
QUANTITY	<b>MATERIALS LIST</b>			
<b>UNLESS OTHERWISE SPECIFIED</b> 1) All dimensions are in metric(mm). 2) Tolerances are as follows: 1 PL DEC ±0.30 2 PL DEC ±0.15 3 PL DEC ±0.08 Fractions ±1/64 Angles ±1° 3) Note reference =		<b>SIGNATURES</b> DRAWN: <b>SULLEN.ZHANG</b> CHECKED: <b>ORION.LI</b> ENGINEER: APPROVAL: <b>TOMMY.XIE</b>		<b>DATE</b> 05APR21 06APR21 07APR21
MATERIAL SPECIFICATIONS:		CUSTOMER:		<b>Amphenol</b> Sine Systems - www.amphenol-sine.com 44724 Morley Drive Clinton Township, MI 48036 BOOT,40PIN,ARC SERIES
PROCESS SPECIFICATIONS:		THIS DRAWING IS SUPPLIED FOR INFORMATION ONLY. DESIGN FEATURES, SPECIFICATIONS AND PERFORMANCE DATA SHOWN HEREON ARE THE PROPERTY OF THE AMPHENOL CORPORATION. NO RIGHTS OF REPRODUCTION ARE IMPLIED. ALL DIMENSIONS ARE SUBJECT TO NORMAL MANUFACTURING VARIATIONS.		
NEXT ASSY:		SIZE: <b>A</b> SCALE: <b>NONE</b>	TYPE: <b>C-</b> DWG NO: <b>ARC40-BT</b>	REVISION: <b>A1</b> SHEET <b>1</b> OF <b>1</b>