

# AR20168CHSS



Sample image

**Order symbol:** AR20168CHSS

**Product nbr:** 8561370

**Description:** PC Enclosure

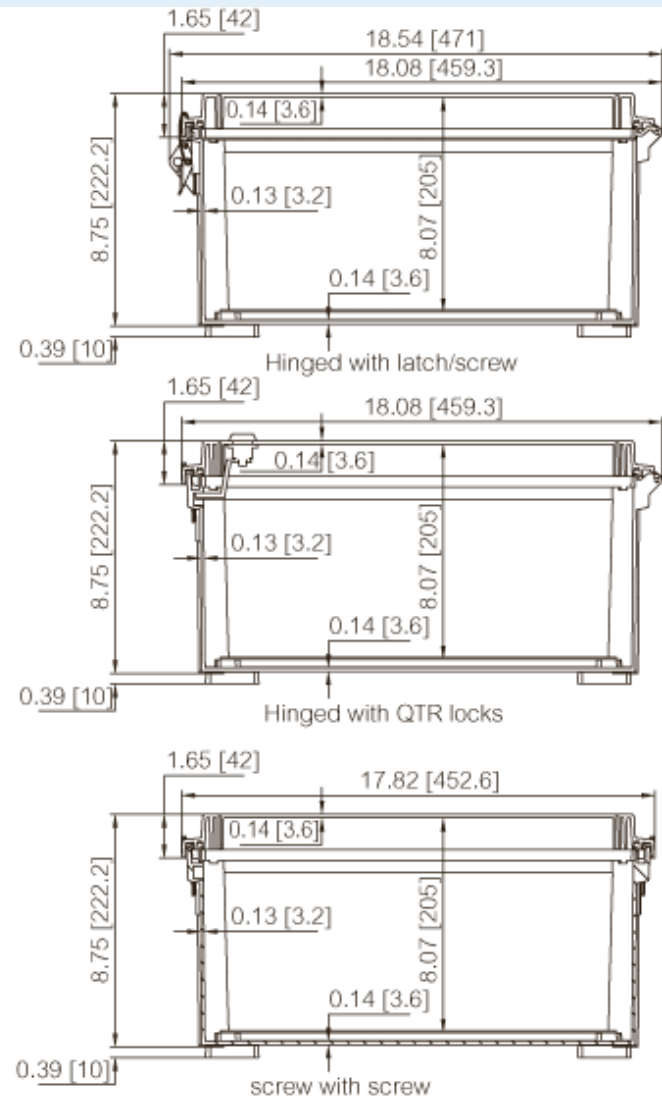
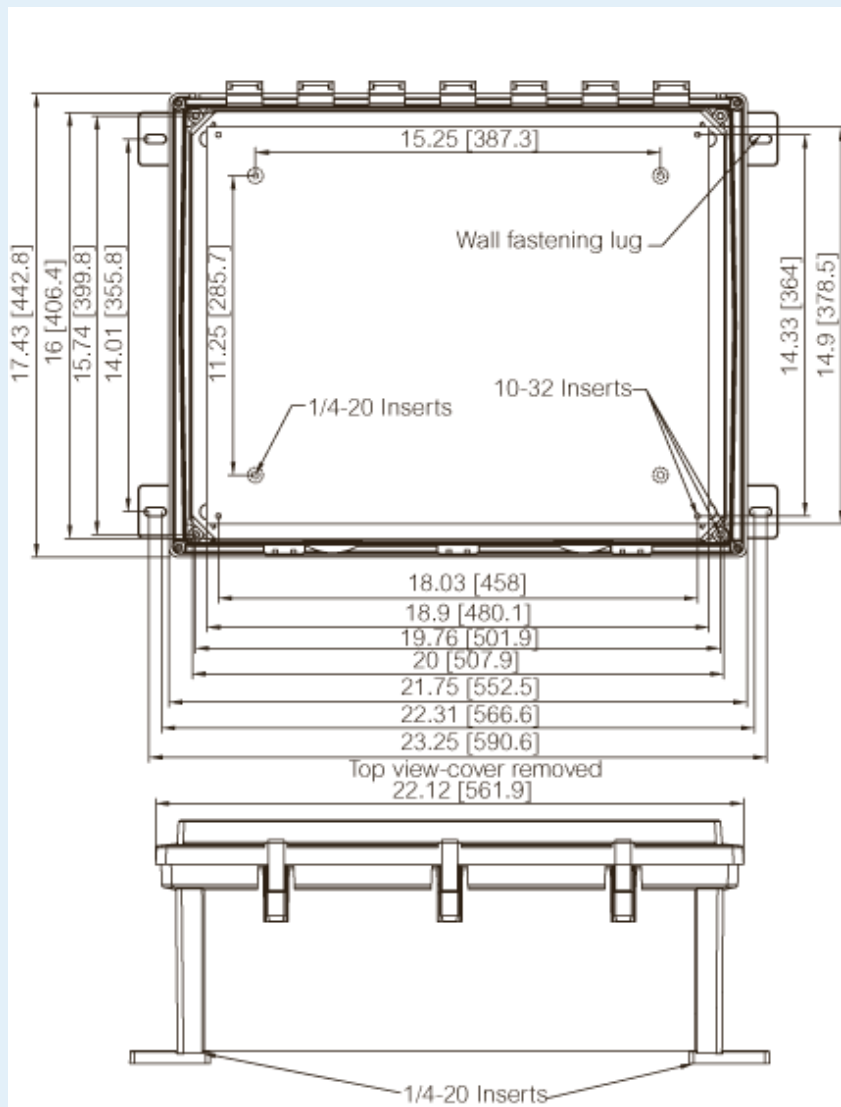
**Remarks:** Hinged opaque cover w/S.S. Lockable latch

**Including:** Hinged cover. Base with 10-32 brass inserts, latched cover with formed in place PUR gasket, stainless hinge pin. Quick release latches. Enclosure mounting foot kit. Accessory 10-32 screws for panel mounting.

**EAN:** 6418074089908

**El. number:**

- Finland:
- Denmark:
- Sweden:



Dimensions:	Height	Width	Depth
mm:	508	406	205
inch:	20	16	8

#### Materials:

Material:	Polycarbonate
Base colour:	RAL 7035 -light grey
Cover colour:	RAL 7035 -light grey
Gasket material:	Polyurethane

#### Temperatures:

Temperature °C (short term):	-40 ... 140
Temperature °C (continuous):	-40 ... 80
Temperature °F (short term):	-40 ... 250
Temperature °F (continuous):	-40 ... 175

#### Rating:

Ingress protection (EN 60529):	IP66; IP67;
Impact Resistance (EN 62262):	IK09;
Electrical insulation:	Not insulated
Halogen free (DIN/VDE 0472, Part 815):	1
UV resistance:	UL 508
Flammability Rating:	UL 508
Glow Wire Test (IEC 695-2-1) °C:	960 °C
NEMA Class	NEMA 4, 4X, 12 and 13

#### Certificates:

ARCA\_CertificateofCompliance