

**OBSOLETE – PART DISCONTINUED**

### Features

- $BV_{CEO} > 450V$
- $BV_{CES} > 700V$
- $BV_{EBO} > 9V$
- $I_C = 4A$  High Collector Current
- Integrated Anti-Parallel Diode to act as free-wheeling diode
- Anti-Saturation feature
- **Lead-Free Finish; RoHS Compliant (Notes 1 & 2)**
- **Halogen and Antimony Free. "Green" Device (Note 3)**
- **For automotive applications requiring specific change control (i.e. parts qualified to AEC-Q100/101/200, PPAP capable, and manufactured in IATF 16949 certified facilities), please [contact us](mailto:contact@diodes.com) or your local Diodes representative. <https://www.diodes.com/quality/product-definitions/>**

### Applications

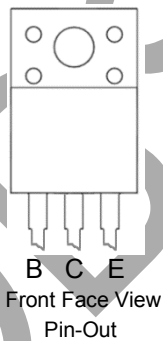
Low power AC-DC SMPS for:

- Battery Chargers for Mobile Phone / Tablets / Smartphones
- Power Supply for DVD / STB
- LED Lighting

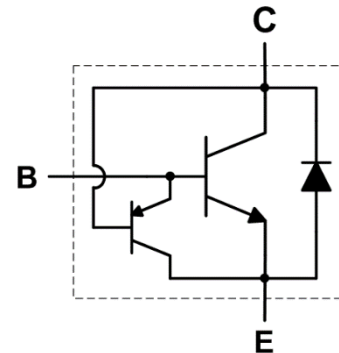
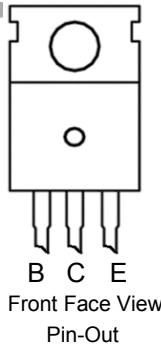
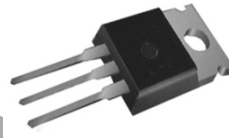
### Mechanical Data

- Case: ITO220AB TYPE BR (TO220F), TO220AB Type C
- Case Material: Molded Plastic, "Green" Molding Compound  
UL Flammability Classification Rating 94V-0
- Terminals: Finish - Matte Tin Finish Leads, Solderable per MIL-STD-202, Method 208 (E3)
- Weight: ITO220AB TYPE BR (TO220F): 1500mg (Approximate)  
TO220AB Type C : 2000mg (Approximate)

ITO220AB TYPE BR  
(TO220F)  
Isolated



TO220AB Type C  
(TO220-3(2)) Non-isolated



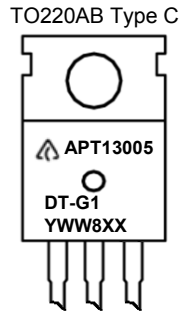
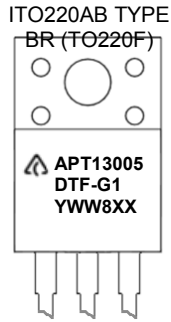
Device Schematic

### Ordering Information (Note 4)

Product	Package	Marking	Quantity
APT13005DTF-G1	ITO220AB TYPE BR (TO220F)	APT13005DTF-G1	1,000 per Box in Tubes
APT13005DT-G1	TO220AB Type C (TO220-3(2))	APT13005DT-G1	1,000 per Box in Tubes

- Notes:
1. EU Directive 2002/95/EC (RoHS), 2011/65/EU (RoHS 2) & 2015/863/EU (RoHS 3) compliant. All applicable RoHS exemptions applied.
  2. See <https://www.diodes.com/quality/lead-free/> for more information about Diodes Incorporated's definitions of Halogen- and Antimony-free, "Green" and Lead-free.
  3. Halogen- and Antimony-free "Green" products are defined as those which contain <900ppm bromine, <900ppm chlorine (<1500ppm total Br + Cl) and <1000ppm antimony compounds.
  4. For packaging details, go to our website at <http://www.diodes.com/products/packages.html>.

**Marking Information**



△ = Manufacturers' code marking  
 For ITO220AB TYPE BR (TO220F), APT13005DTF-G1 = Product Type Marking ID  
 For TO220AB Type C, APT13005DT-G1 = Product Type Marking ID  
 YWW = Date Code Marking  
 e.g. 312 = Year 2013, Week 12.  
 8 = Assembly site code  
 XX = Batch Number

**Absolute Maximum Ratings** (@T<sub>A</sub> = +25°C, unless otherwise specified.)

Characteristic	Symbol	Value	Unit
Collector-Emitter Voltage	V <sub>CES</sub>	700	V
Collector-Emitter Voltage	V <sub>CEO</sub>	450	V
Emitter-Base Voltage	V <sub>EBO</sub>	9	V
Collector Current	I <sub>C</sub>	4	A
Peak Collector Current	I <sub>CM</sub>	8	A
Base Current	I <sub>B</sub>	2	A
Peak Base Current	I <sub>BM</sub>	4	A

**Thermal Characteristics** (@T<sub>A</sub> = +25°C, unless otherwise specified.)

Characteristic	Symbol	Value	Unit
Power Dissipation @T <sub>C</sub> = +25°C	P <sub>D</sub>	For ITO220AB TYPE BR (TO220F)	28
		For TO220AB Type C	75
Thermal Resistance, Junction to Case	R <sub>θJC</sub>	For ITO220AB TYPE BR (TO220F)	4.5
		For TO220AB Type C	1.67
Operating and Storage Temperature Range	T <sub>J</sub> , T <sub>STG</sub>	-65 to +150	°C

**ESD Ratings** (Note 5)

Characteristic	Symbol	Value	Unit	JEDEC Class
Electrostatic Discharge - Human Body Model	ESD HBM	8,000	V	3B
Electrostatic Discharge - Machine Model	ESD MM	400	V	C

Note: 5. Refer to JEDEC specification JESD22-A114 and JESD22-A115.

**Safe Operating Areas** (@ $T_A = +25^\circ\text{C}$ , unless otherwise specified.)

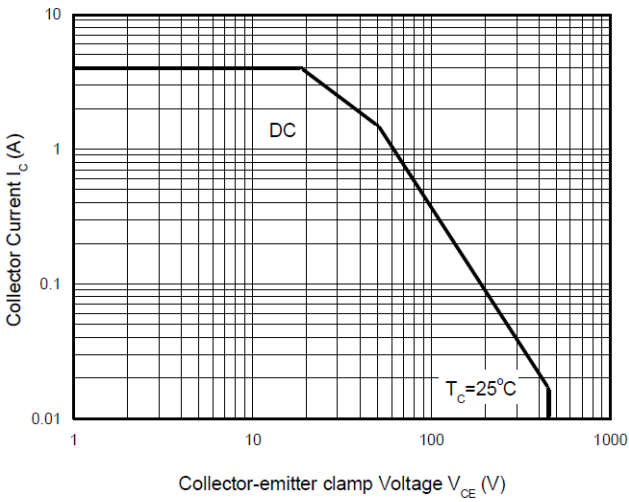


Figure 4. Safe Operating Areas  
TO220AB Type C

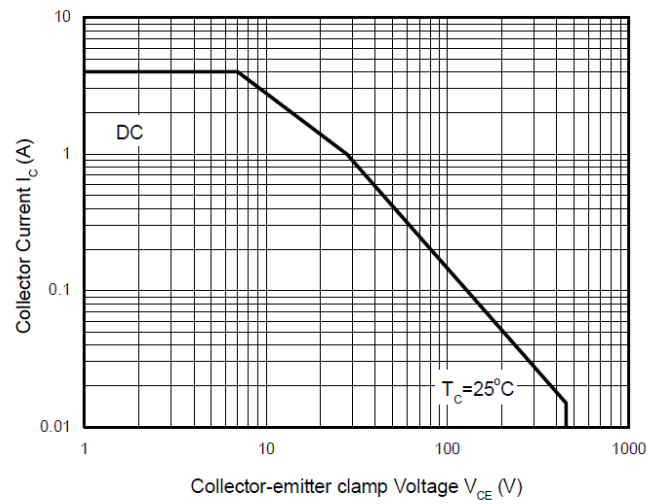


Figure 5. Safe Operating Areas  
ITO220AB Type BR (TO220F)

OBSOLETE - PART DISCONTINUED

OBSOLETE

**Electrical Characteristics** (@T<sub>A</sub> = +25°C, unless otherwise specified.)

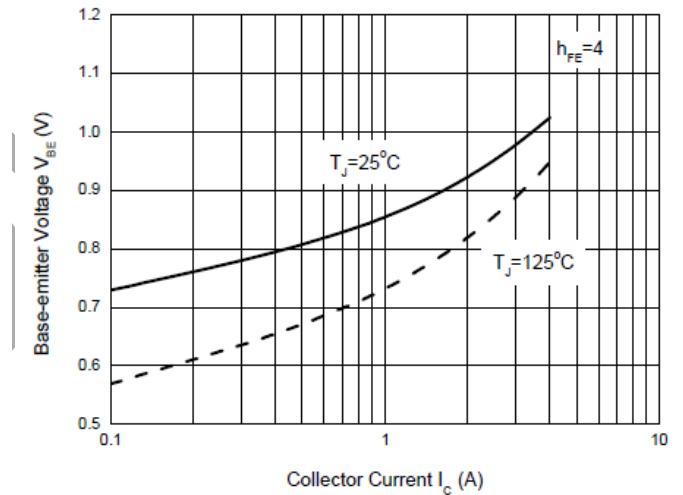
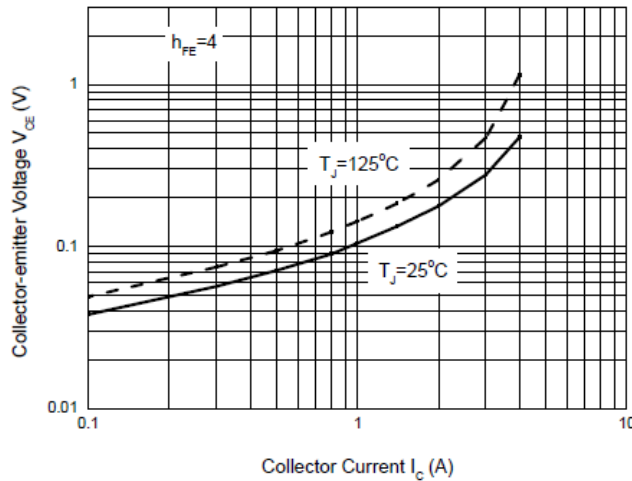
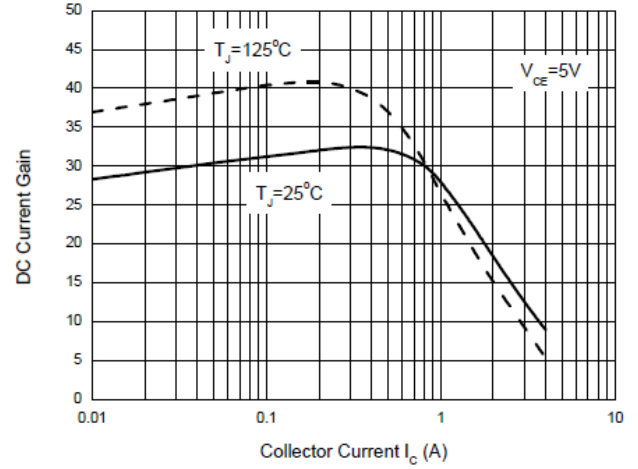
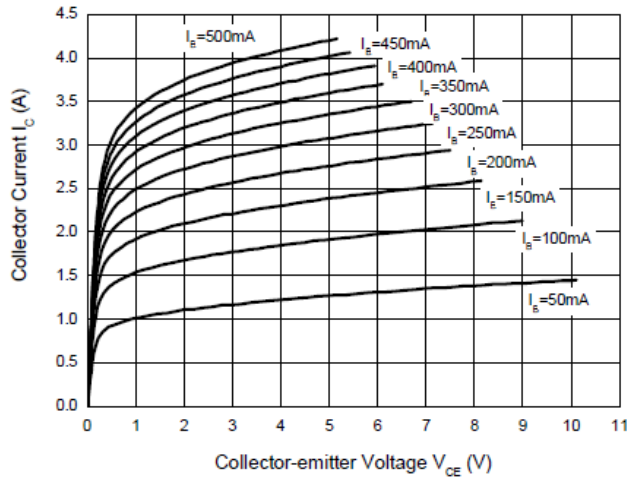
Characteristic	Symbol	Min	Typ	Max	Unit	Test Condition
Collector-Emitter Breakdown Voltage	BV <sub>CES</sub>	700	—	—	V	I <sub>C</sub> = 100μA, V <sub>BE</sub> = 0V
Collector-Emitter Breakdown Voltage	BV <sub>CEO</sub>	450	—	—	V	I <sub>C</sub> = 100μA
Emitter-Base Breakdown Voltage	BV <sub>EBO</sub>	9	—	—	V	I <sub>E</sub> = 100μA
Collector Cutoff Current	I <sub>CEV</sub>	—	—	10	μA	V <sub>CE</sub> = 700V, V <sub>BE</sub> = -1.5V
DC current transfer Static ratio (Note 6)	h <sub>FE</sub>	15	—	35	—	I <sub>C</sub> = 1A, V <sub>CE</sub> = 5V
		8	—	35	—	I <sub>C</sub> = 2A, V <sub>CE</sub> = 5V
Collector-Emitter Saturation Voltage (Note 6)	V <sub>CE(sat)</sub>	—	—	0.3	V	I <sub>C</sub> = 1A, I <sub>B</sub> = 0.2A
		—	—	0.6		I <sub>C</sub> = 2A, I <sub>B</sub> = 0.5A
		—	—	0.9		I <sub>C</sub> = 4A, I <sub>B</sub> = 1A
Base-Emitter Saturation Voltage (Note 6)	V <sub>BE(sat)</sub>	—	—	1.1	V	I <sub>C</sub> = 1A, I <sub>B</sub> = 0.2A
		—	—	1.3		I <sub>C</sub> = 2A, I <sub>B</sub> = 0.5A
Output Capacitance	C <sub>obo</sub>	—	45	—	pF	V <sub>CB</sub> = 10V, f = 0.1MHz
Transition Frequency	f <sub>T</sub>	4	—	—	MHz	I <sub>C</sub> = 0.5A, V <sub>CE</sub> = 10V
Turn-on Time with Resistive Load	t <sub>on</sub>	—	—	0.7	μs	I <sub>C</sub> = 2A, V <sub>CC</sub> = 125V I <sub>B1</sub> = -I <sub>B2</sub> = 0.4A
Storage Time with Resistive Load	t <sub>s</sub>	—	—	4.0		
Fall Time with Resistive Load	t <sub>f</sub>	—	—	0.8		

Note: 6. Measured under pulsed conditions. Pulse width ≤ 300μs. Duty cycle ≤ 2%.

**OBSOLETE – PART DISCONTINUED**
**OBSOLETE**

**Typical Electrical Characteristics** (@ $T_A = +25^\circ\text{C}$ , unless otherwise specified.)

OBSOLETE - PART DISCONTINUED

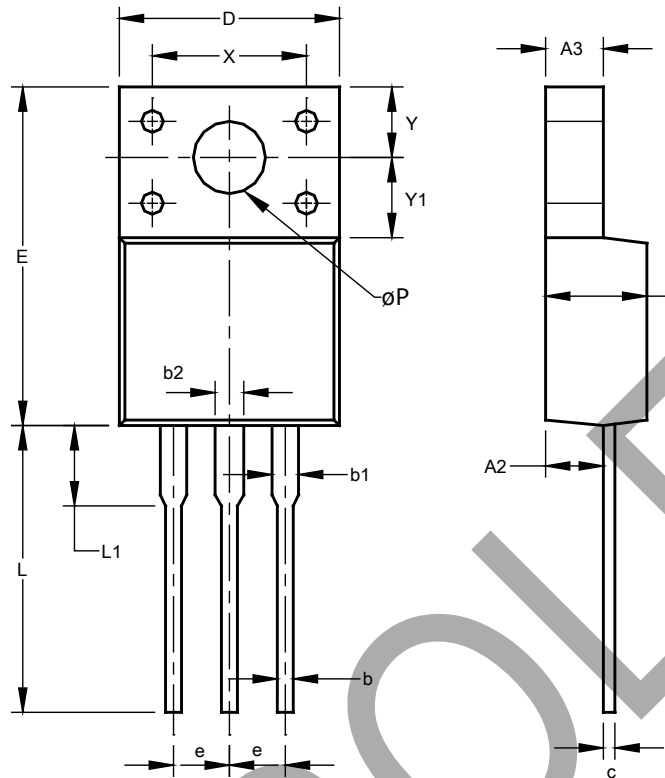


OBSOLETE

**Package Outline Dimensions**

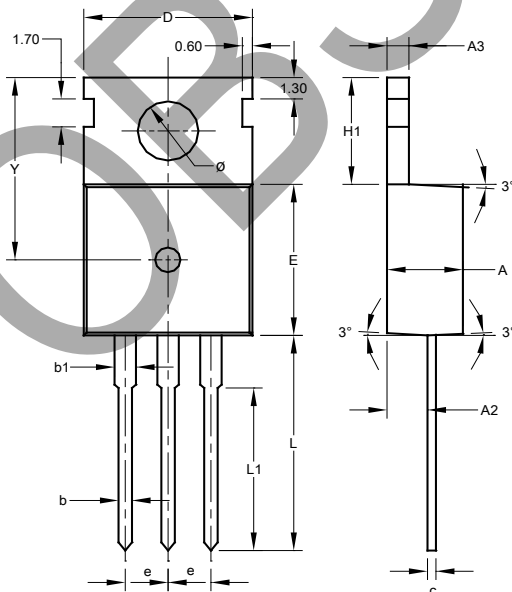
Please see <http://www.diodes.com/package-outlines.html> for the latest version.

**ITO220AB Type BR (TO220F)**



ITO220AB Type BR (TO220F)			
Dim	Min	Max	Typ
A	4.300	4.900	-
A2	2.520	2.920	-
A3	2.350	2.900	-
b	0.550	0.900	-
b1	1.000	1.400	-
b2	1.100	1.500	-
c	0.450	0.600	-
D	9.70	10.30	-
E	14.70	16.00	-
e	-	-	2.54
L	12.50	13.50	-
L1	2.790	4.500	-
X	6.90	7.10	-
Y	3.000	3.400	-
Y1	3.370	3.900	-
$\phi P$	3.000	3.550	-
All Dimensions in mm			

**TO220AB Type C**



TO220AB Type C			
Dim	Min	Max	Typ
A	-	-	4.500
A2	-	-	2.400
A3	-	-	1.300
b	0.700	0.900	-
b1	-	-	1.270
c	0.400	0.600	-
D	9.800	10.200	-
E	9.000	9.400	-
e	-	-	2.54
H1	6.300	6.700	-
L	12.600	13.600	-
L1	9.600	10.600	-
Y	-	-	11.100
$\phi$	3.560	3.640	-
All Dimensions in mm			

Note: For high voltage applications, the appropriate industry sector guidelines should be considered with regards to creepage and clearance distances between device Terminals and PCB tracking.

**IMPORTANT NOTICE**

1. DIODES INCORPORATED AND ITS SUBSIDIARIES ("DIODES") MAKE NO WARRANTY OF ANY KIND, EXPRESS OR IMPLIED, WITH REGARDS TO ANY INFORMATION CONTAINED IN THIS DOCUMENT, INCLUDING, BUT NOT LIMITED TO, THE IMPLIED WARRANTIES OF MERCHANTABILITY, FITNESS FOR A PARTICULAR PURPOSE OR NON-INFRINGEMENT OF THIRD PARTY INTELLECTUAL PROPERTY RIGHTS (AND THEIR EQUIVALENTS UNDER THE LAWS OF ANY JURISDICTION).
2. The Information contained herein is for informational purpose only and is provided only to illustrate the operation of Diodes products described herein and application examples. Diodes does not assume any liability arising out of the application or use of this document or any product described herein. This document is intended for skilled and technically trained engineering customers and users who design with Diodes products. Diodes products may be used to facilitate safety-related applications; however, in all instances customers and users are responsible for (a) selecting the appropriate Diodes products for their applications, (b) evaluating the suitability of the Diodes products for their intended applications, (c) ensuring their applications, which incorporate Diodes products, comply the applicable legal and regulatory requirements as well as safety and functional-safety related standards, and (d) ensuring they design with appropriate safeguards (including testing, validation, quality control techniques, redundancy, malfunction prevention, and appropriate treatment for aging degradation) to minimize the risks associated with their applications.
3. Diodes assumes no liability for any application-related information, support, assistance or feedback that may be provided by Diodes from time to time. Any customer or user of this document or products described herein will assume all risks and liabilities associated with such use, and will hold Diodes and all companies whose products are represented herein or on Diodes' websites, harmless against all damages and liabilities.
4. Products described herein may be covered by one or more United States, international or foreign patents and pending patent applications. Product names and markings noted herein may also be covered by one or more United States, international or foreign trademarks and trademark applications. Diodes does not convey any license under any of its intellectual property rights or the rights of any third parties (including third parties whose products and services may be described in this document or on Diodes' website) under this document.
5. Diodes products are provided subject to Diodes' Standard Terms and Conditions of Sale (<https://www.diodes.com/about/company/terms-and-conditions/terms-and-conditions-of-sales/>) or other applicable terms. This document does not alter or expand the applicable warranties provided by Diodes. Diodes does not warrant or accept any liability whatsoever in respect of any products purchased through unauthorized sales channel.
6. Diodes products and technology may not be used for or incorporated into any products or systems whose manufacture, use or sale is prohibited under any applicable laws and regulations. Should customers or users use Diodes products in contravention of any applicable laws or regulations, or for any unintended or unauthorized application, customers and users will (a) be solely responsible for any damages, losses or penalties arising in connection therewith or as a result thereof, and (b) indemnify and hold Diodes and its representatives and agents harmless against any and all claims, damages, expenses, and attorney fees arising out of, directly or indirectly, any claim relating to any noncompliance with the applicable laws and regulations, as well as any unintended or unauthorized application.
7. While efforts have been made to ensure the information contained in this document is accurate, complete and current, it may contain technical inaccuracies, omissions and typographical errors. Diodes does not warrant that information contained in this document is error-free and Diodes is under no obligation to update or otherwise correct this information. Notwithstanding the foregoing, Diodes reserves the right to make modifications, enhancements, improvements, corrections or other changes without further notice to this document and any product described herein. This document is written in English but may be translated into multiple languages for reference. Only the English version of this document is the final and determinative format released by Diodes.
8. Any unauthorized copying, modification, distribution, transmission, display or other use of this document (or any portion hereof) is prohibited. Diodes assumes no responsibility for any losses incurred by the customers or users or any third parties arising from any such unauthorized use.

Copyright © 2021 Diodes Incorporated

[www.diodes.com](http://www.diodes.com)