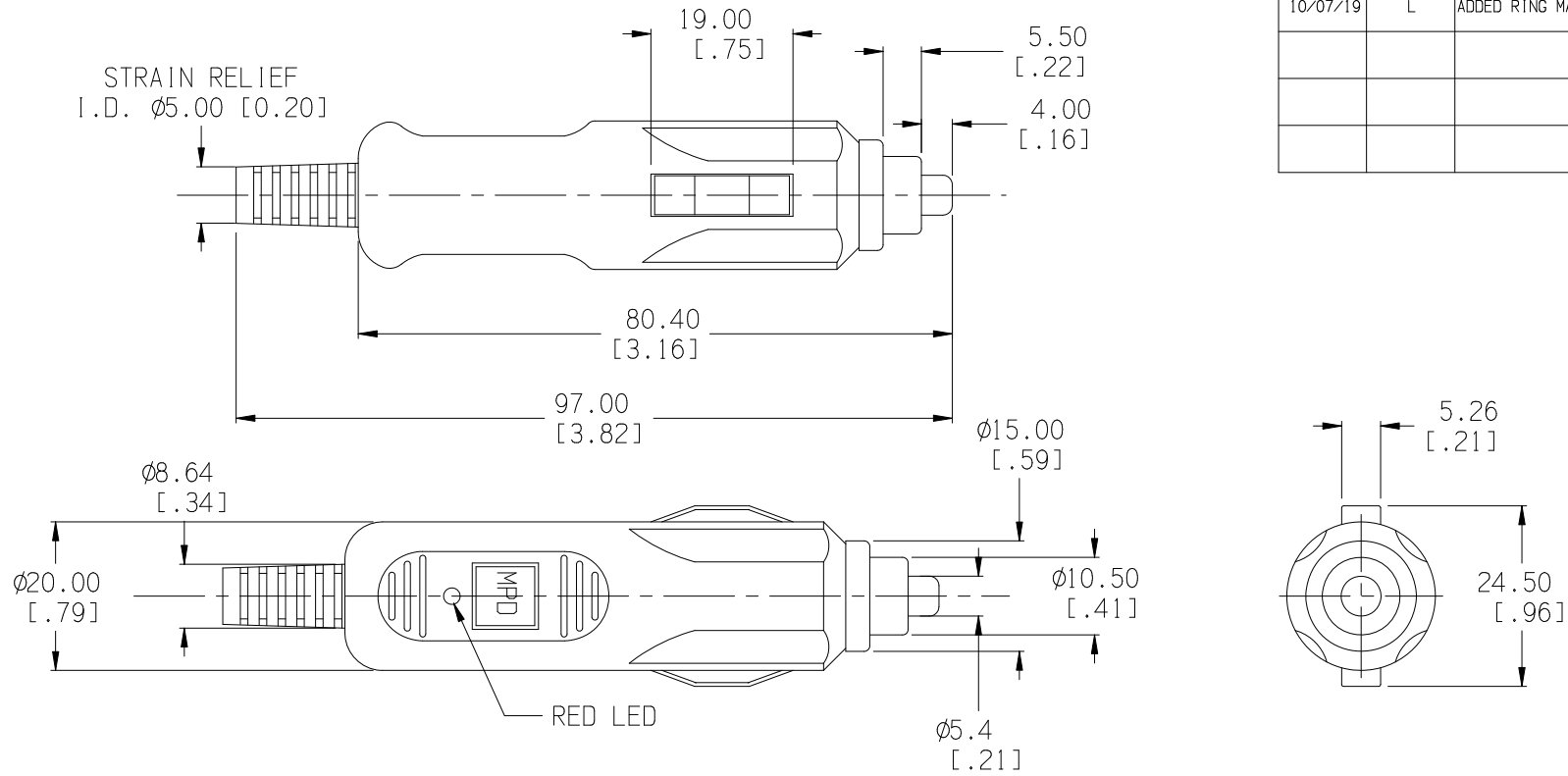



Date	SYM	REVISION RECORD	AUTH	DR.	CK.
11/07/14	H	UPDATED TO ROHS 2 COMPLIANT	T.B.	B.S.	
02/17/17	J	ADDED STRAIN RELIEF I.D.	T.B.	B.S.	
12/15/17	K	DIM. 80.40 WAS 79.60	T.B.	B.S.	
10/07/19	L	ADDED RING MATERIAL	T.B.	B.S.	



SPECIFICATION:  
 BODY: NYLON 6, FLAMMABILITY RATING UL94V-0 UL FILE NO. E154352

COLOR: BLACK  
 CENTER CONTACT: BRASS, NICKEL PLATED  
 NEG. TERMINAL: SKS, NICKEL PLATED  
 POS. TERMINAL: PHOSPHOR COPPER, NICKEL PLATED  
 RING: BRASS, NICKEL PLATED  
 SPRING: PHOSPHOR COPPER  
 WIRE STRAIN RELIEF: PVC  
 LED: RED, Ø3mm, 2.2K Ohm, 1/4 W  
 FUSE: 6.35mm x 30mm (1/4" X 1 1/4") RATED 15 AMPS  
 RATED AT 18 HOURS, CONTINUOUS DUTY  
 15 AMP'S MAX  
 ROHS COMPLIANT

Tolerance (Inches)	 Memory Protection Devices, Inc. 200 Broad Hollow Road, Farmingdale, New York 11735		
Decimal ±.5 (.020)	Scale	Drawn By B.S.	
Fractional ± .8 (.030)	Title	Approved By T.B.	
Angular ± 3°	Date	Drawing Number	
	10/07/19	APP-001-15AMP	