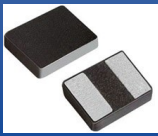


# MINI MOLDED POWER INDUCTOR



**AOTA-B201608S**

Request Samples



Check Inventory



**2.0 x 1.6 x 0.8 mm**  
**RoHS/RoHS II Compliant**  
**MSL Level = 1**

## Features

- Shielded construction for minimized EMI emissions
- Low DCR for better efficiency
- High current handling capability
- Compact size that is suitable for high-density designs
- Fit for high-frequency switching applications due to high SRF

## Applications

- Consumer electronics and portable devices
- Power electronics such as DC-DC converters, inverters and voltage regulators
- Industrial applications, robotics, signal conditioning, instrumentation and control systems
- IoT devices, smart home, automation systems and wireless sensing

## Electrical Specifications

Part Number	Inductance	Tolerance	Self-Resonant Frequency	DC Resistance		Saturation Current		Temperature Rise Current	
	1MHz/1.0V		Min.	Typ	Max	Typ	Max	Typ	Max
Units	$\mu\text{H}$	%	MHz	$\text{m}\Omega$		A		A	
Symbol	L	M	SRF	DCR		Isat		Irms	
AOTA-B201608SR24MT	0.24	20	120	18	22	8.2	7.5	6.2	5.5
AOTA-B201608SR47MT	0.47	20	104	21	24	5.5	5.0	4.1	3.6
AOTA-B201608S1R0MT	1.0	20	57	45	52	4.5	4.1	4.2	3.7
AOTA-B201608S2R2MT	2.2	20	40	134	148	2.6	2.3	2.0	1.8

### Test Conditions

**Isat:** DC current at which the inductance drops 30% from its nominal value.

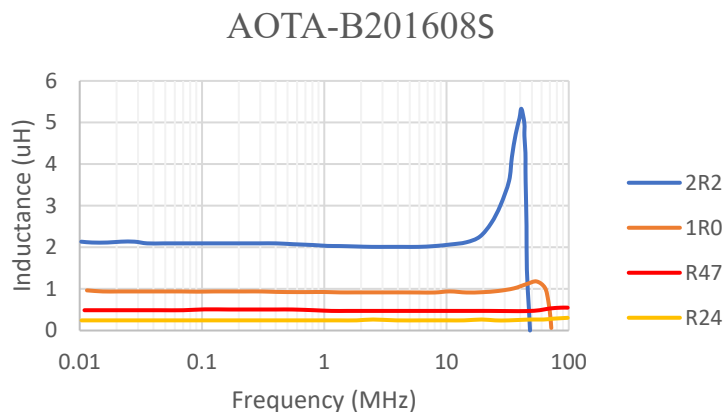
**Irms:** DC current that causes the temperature rise ( $\Delta T$ , approximate 40 °C) from 25°C ambient.

**Operating Temperature:** -40°C ~ +125°C (including self-temperature rise)

**Storage Condition:** -40°C ~ +125°C (on board), -10°C ~ +40°C (with packaging) and R.H. 60 max.

**AOTA-B201608S Series is RoHS Compliant and Pb free.**

## Performance Graphs

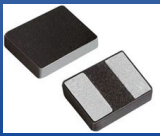


5101 Hidden Creek Ln, Spicewood TX 78669  
 Phone: 512-371-6159 Fax: 512-351-8858  
 For terms and conditions of sales, please visit:  
[www.abracon.com](http://www.abracon.com)

**REVISION Initial Release :**  
**6/30/2023**

ABRACON IS  
 ISO9001-2015  
 CERTIFIED

# MINI MOLDED POWER INDUCTOR



**AOTA-B201608S**

Request Samples



Check Inventory



**2.0 x 1.6 x 0.8 mm**  
**RoHS/RoHS II Compliant**  
MSL Level = 1

## Part Identification

AOTA-B201608S

### Inductance Code

See Electrical Specification table

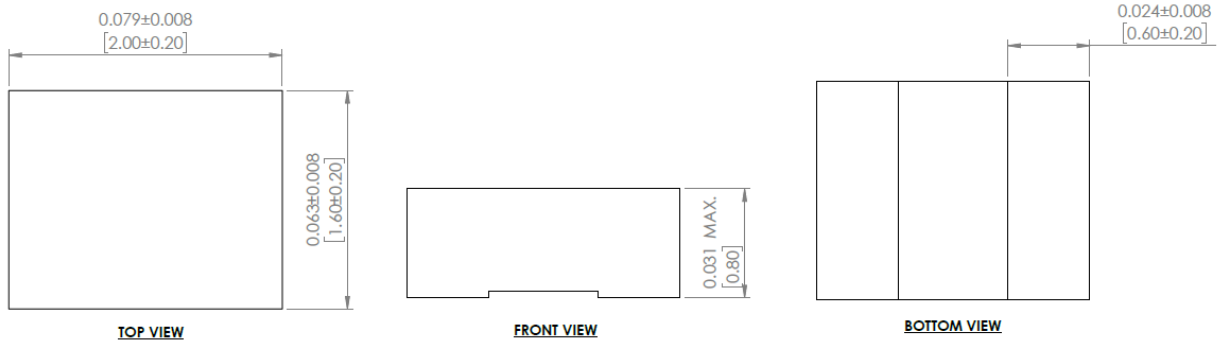
### Tolerance

M = ± 20%

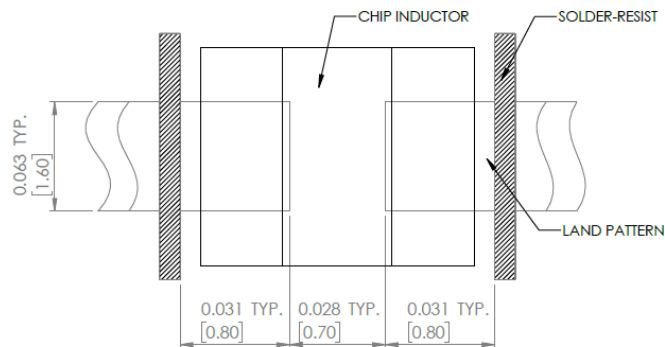
### Packaging

T: Tape and Reel (See Packaging)

## Mechanical Specifications



### Recommended Land Pattern



Dimensions: Inch[mm]

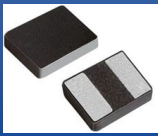


5101 Hidden Creek Ln, Spicewood TX 78669  
Phone: 512-371-6159 Fax: 512-351-8858  
For terms and conditions of sales, please visit:  
[www.abracon.com](http://www.abracon.com)

**REVISION Initial Release :**  
**6/30/2023**

ABRACON IS  
ISO9001-2015  
CERTIFIED

# MINI MOLDED POWER INDUCTOR



**AOTA-B201608S**

Request Samples



Check Inventory

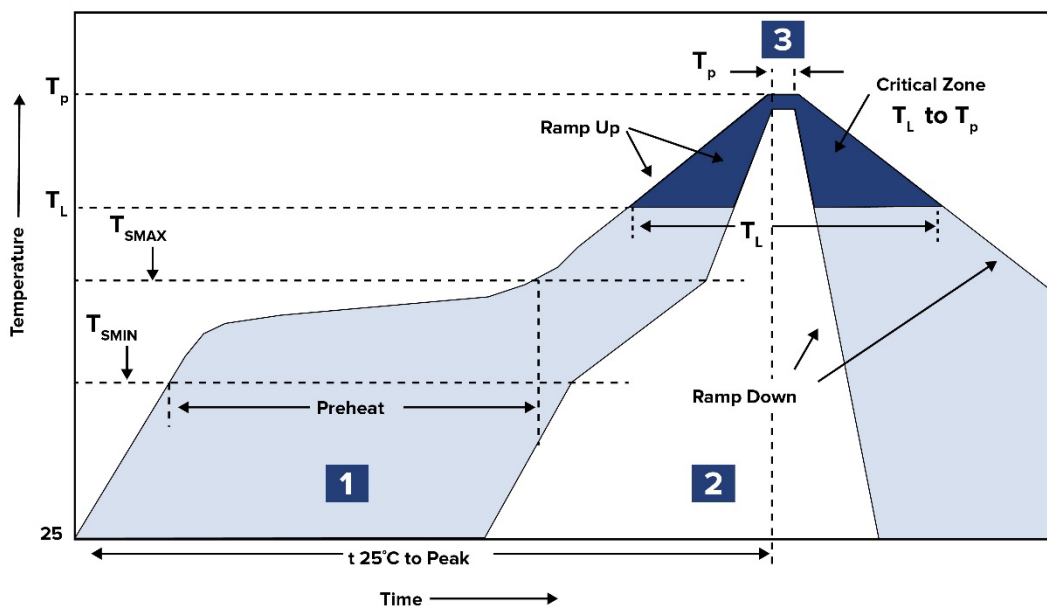


**2.0 x 1.6 x 0.8 mm**  
**RoHS/RoHS II Compliant**  
**MSL Level = 1**

## Marking

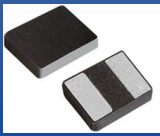
No Marking

## Reflow Profile



Zone	Description	Temperature	Times
1	Preheat	$T_{SMIN} \sim T_{SMAX}$ 150°C ~ 200°C	60 ~ 120 sec.
2	Reflow	$T_L$ 217°C	60 ~ 90 sec.
3	Peak heat	$T_P$ 260°C Max	10 sec. MAX

# MINI MOLDED POWER INDUCTOR



**AOTA-B201608S**

Request Samples



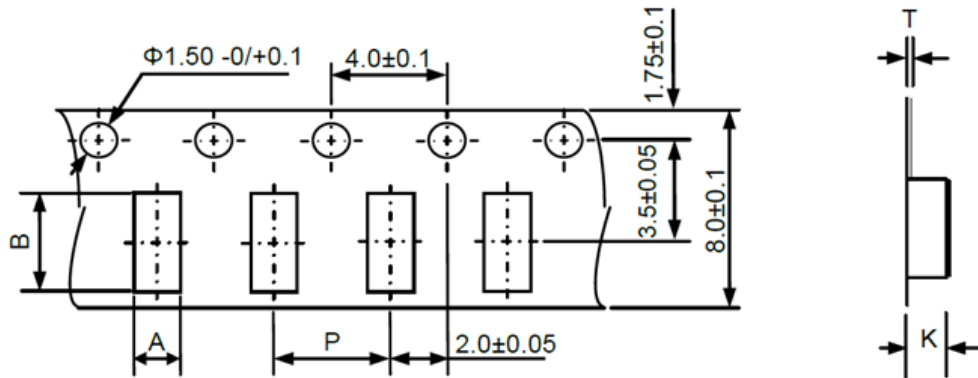
Check Inventory



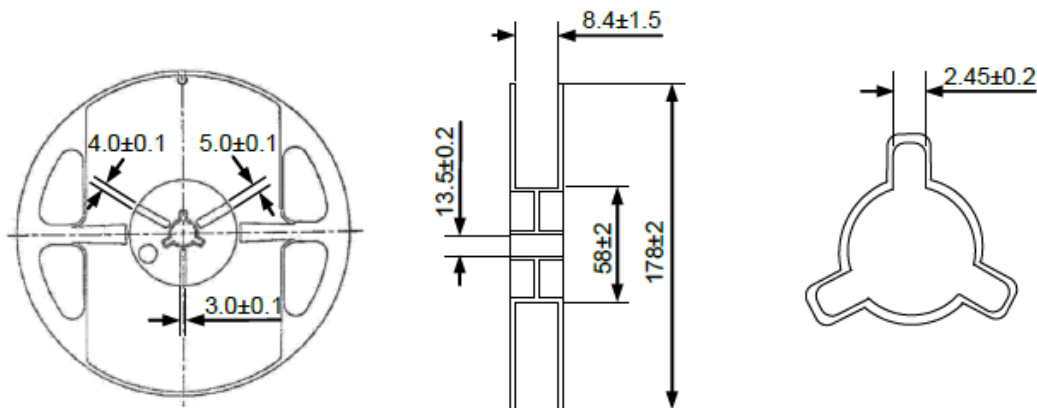
**2.0 x 1.6 x 0.8 mm**  
**RoHS/RoHS II Compliant**  
**MSL Level = 1**

## Packaging

**Tape & Reel: 3000 pcs/reel**



A	B	P	K	T
1.90±0.1	2.30±0.1	4.0±0.1	1.10 Max	0.3 Max



Dimensions: mm

**ATTENTION:** Abracon LLC's products are COTS – Commercial-Off-The-Shelf products; suitable for Commercial, Industrial and, where designated, Automotive Applications. Abracon's products are not specifically designed for Military, Aviation, Aerospace, Life-dependent Medical applications or any application requiring high reliability where component failure could result in loss of life and/or property. For applications requiring high reliability and/or presenting an extreme operating environment, written consent and authorization from Abracon LLC is required. Please contact Abracon LLC for more information.



5101 Hidden Creek Ln, Spicewood TX 78669  
 Phone: 512-371-6159 Fax: 512-351-8858  
 For terms and conditions of sales, please visit:  
[www.abracon.com](http://www.abracon.com)

**REVISION Initial Release :**  
**6/30/2023**

ABRACON IS  
 ISO9001-2015  
 CERTIFIED