

4 mm Square SMT Trimmer Potentiometers (Cermet, Open Frame Type)

Discontinued

Type: **EVM1D**
EVM1E
EVM1U



1U



1E



1D

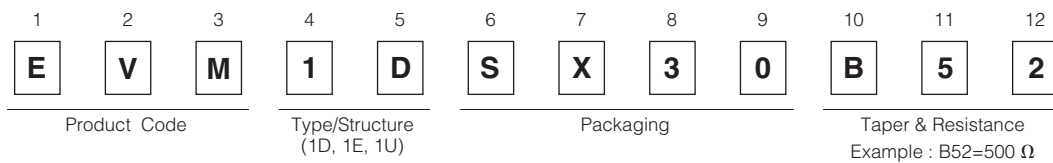
Features

- 4 mm square series for reflow soldering
- Both sides adjust type (EVM1U)
- High reliability realized by cermet element
- Excellent mountability
- Conforms to JIS C5260-1:1999
- RoHS compliant

Recommended Applications

- Audio/visual, office, and communication equipment
- General electronic equipment

Explanation of Part Numbers



Specifications

Total Resistance Value Resistance Tolerance	100 Ω to 1 MΩ ±25 %
Power Rating Limiting Element Voltage	0.2 W 50 V
Rotation Torque	2 to 20 mN·m
Temperature Coefficient of Resistance	±250 × 10 ⁻⁶ /°C

Minimum Quantity/Packing Unit


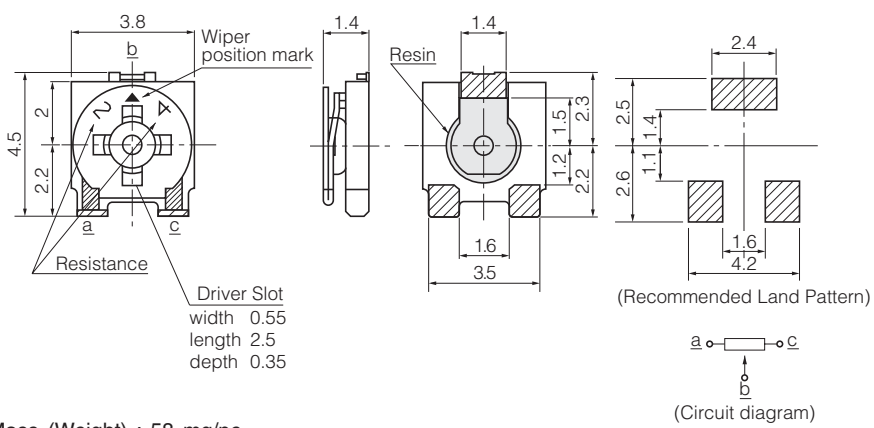
Part Number	Taping		
	Quantity per reel	Packaging quantity	Dia. of reel (mm)
EVM1D EVM1E EVM1U	1,000	4,000	φ178

The standard packaging methods for a reel is φ178.
Please contact us, if you would like different packaging methods. (Bulk, Reel of φ330, Reel of φ380)

Dimensions in mm (not to scale)

- 3-terminal, Cross Slot..... EVM1D


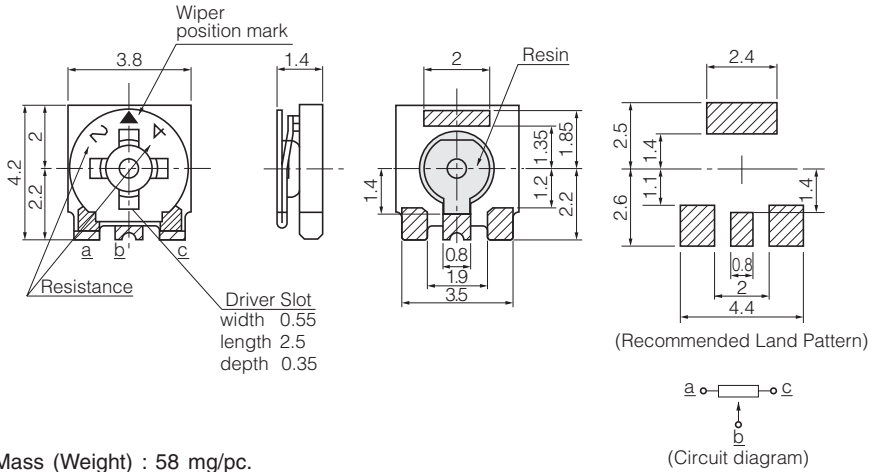
No. 1

Mass (Weight) : 58 mg/pc.

- 3-terminal, Cross Slot..... EVM1E


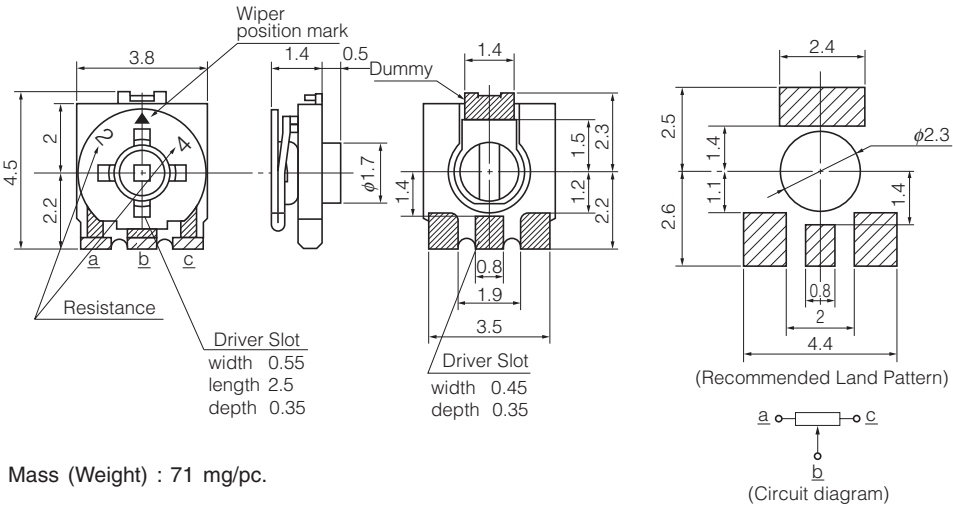
No. 2

Mass (Weight) : 58 mg/pc.

- 3-terminal, Cross Slot, Both Sides Adjust EVM1U

No. 3

Mass (Weight) : 71 mg/pc.