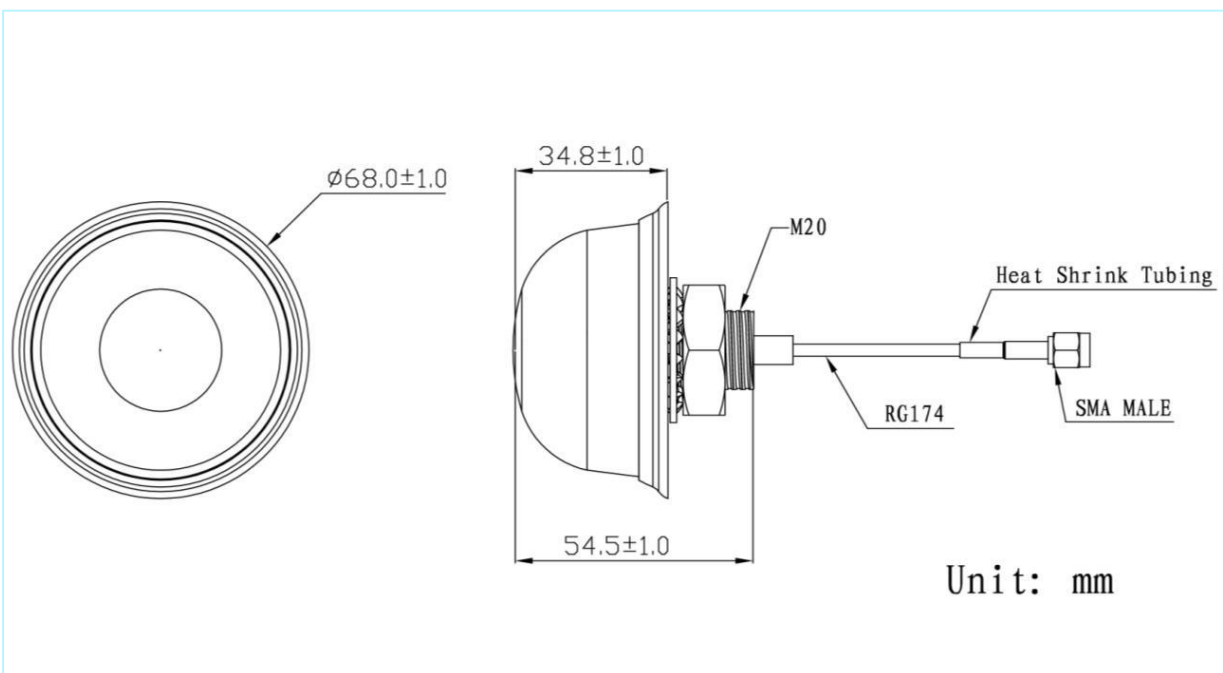


# 4G/3G/GSM antenna 900/1800/2100 MHz Cylinder Screw Mounting

AN\_GSM\_601



## Mechanical dimension



# 4G/3G/GSM antenna 900/1800/2100 MHz

## Cylinder Screw Mounting

### Specifications

Item	Specifications	
Antenna	Frequency Range	824~960/1710~2170MHz
	Polarization	Linear
	Gain	2dBi (Zenith)
	V.S.W.R	<2.0
	Impedance	50Ω
Mechanical	Cable	5 meters
	Connector	SMA
	Radome Material	ABS
	Mounting Method	Screw
Environmental	Operating Temperature	-40℃ ~+85℃
	Relative Humidity	Up to 95%
	Ingress Protection	IP67(exclude cable outlet)
	Vibration	10 to 55Hz with 1.5mm amplitude 2hours
	Environmentally Friendly	ROHS Compliant

# 4G/3G/GSM antenna 900/1800/2100 MHz Cylinder Screw Mounting

## Radiation Patterns

